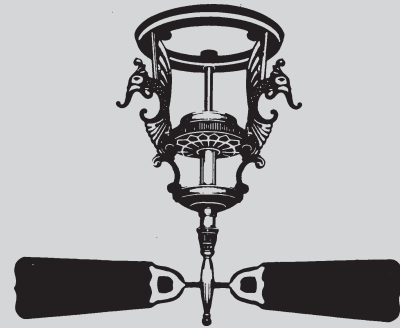




SINCE

1886

Installation and Operation Manual For Hunter Ceiling Fans





CONGRATULATIONS!

Your new Hunter ceiling fan is an addition to your home or office that will provide comfort and performance for many years. This manual gives you complete instructions for installing and operating your fan.

We are proud of our work. We appreciate the opportunity to supply you with the best ceiling fan available anywhere in the world.

Before installing your fan, record the following information for your records and warranty assistance. Please refer to the carton and the Hunter nameplate (located on top outside fan motor housing) for the proper information.

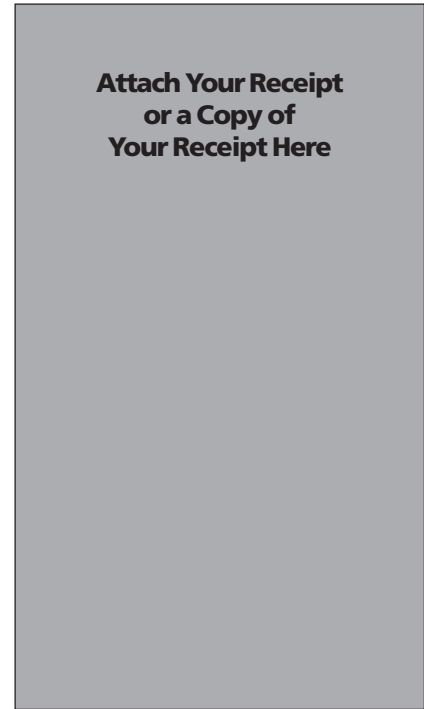
Model Name _____

Catalog No. _____

Serial No. _____

Date Purchased _____

Where Purchased _____





CONTENTS

Important Information	5
Step 1 - Getting Ready	6
Step 2 - Installing The Ceiling Plate	8
Step 3 - Assembling The Fan	10
Step 4 - Hanging The Fan	11
Step 5 - Wiring The Fan	12
Step 6 - Attaching The Canopy	14
Step 7 - Assembling Fan Blades	15
Step 8 - Attaching The Switch Housing	16
Step 9 - Remote Control	18
Operating Your Hunter Fan	22
Cleaning And Maintenance	23
Troubleshooting	24



IMPORTANT INFORMATION

⚠ CAUTIONS

- Read entire booklet carefully before beginning installation and save these instructions.
- To reduce the risk of personal injury, attach the fan directly to the support structure of the building according to these instructions, and use only the hardware supplied.
- Do not hang fan on ceilings that have a height less than 9 feet.

⚠ WARNINGS

- To avoid possible electrical shock, before installing your fan, disconnect the power by turning off the circuit breakers to the out-

let box and associated wall switch location. If you cannot lock the circuit breakers in the off position, securely fasten a prominent warning device, such as a tag, to the service panel.

- All wiring must be in accordance with national and local electrical codes and ANSI/NFPA 70. If you are unfamiliar with wiring, you should use a qualified electrician.
- To reduce the risk of personal injury, do not bend the blade attachment system when installing, balancing, or cleaning the fan. Never insert foreign objects between rotating fan blades.

- To reduce the risk of fire, electrical shock, or motor damage, do not use a solid-state speed control with this fan. Use only Hunter speed controls.

DO YOU NEED HELP?

To install a ceiling fan, be sure you can do the following:

- Locate ceiling joist or other suitable support in ceiling.
- Drill holes for and install wood screws.
- Identify and connect electrical wires.
- Lift 40 pounds.

If you need help installing the fan, your Hunter fan dealer can direct you to a licensed installer or electrician.



STEP 1 - GETTING READY

GATHERING THE TOOLS

You will need the following tools for installing the fan:

- Electric drill with 9/64" bit
- Standard screwdriver
- Phillips-head screwdriver
- Wrench or pliers

PREPARING THE FAN SITE

Ceiling height must be a minimum of 9 feet.

The location of a ceiling fan and how the fan is attached to the building structure are essential for reliable operation, maximum efficiency, and energy savings. For this reason, we have included a separate booklet — “Guide to Choosing and Preparing a Ceiling Fan

Site” — to help you select the best location for your fan. The booklet also provides information to ensure your fan support and electric outlet box meet UL-approved safety codes for ceiling fans.

The instructions in this installation manual assume that you have used “Guide to Choosing and Preparing a Ceiling Fan Site” to pick the fan location and make certain the proper fan support and outlet box are installed.

CHECKING YOUR FAN PARTS

Carefully unpack your fan to avoid damage to the fan parts. Check for any shipping damage to the motor or fan blades. If one of the fan blades was damaged in shipment, return all the blades for replacement.

Hint: If you are installing more than one fan, keep the fan blades in sets, as they were shipped.

If any parts are missing or damaged, contact your Hunter dealer or call Hunter Parts Department at 901-248-2222.

Standard Mounting (Figure 1a) hangs from the ceiling by a connector pipe (included), for ceilings 9 feet or higher. For ceilings higher than nine feet, you can purchase Hunter extension rods. All Hunter fans use sturdy 3/4" diameter pipe to assure stability and wobble-free performance.

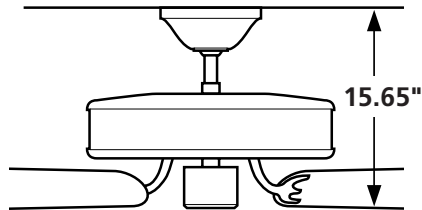


Figure 1a - Standard Mounting

Angle Mounting (Figure 1b) hangs from a vaulted or angled ceiling.

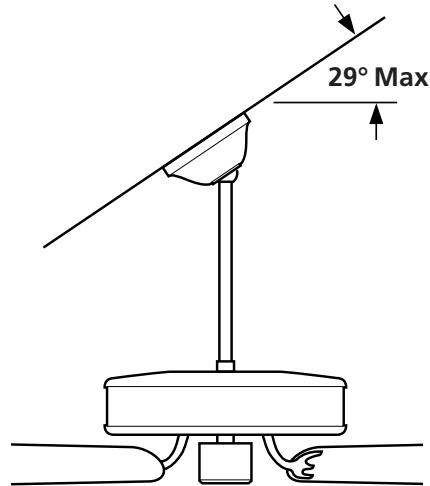


Figure 1b - Angle Mounting



STEP 2 - INSTALLING THE CEILING PLATE

⚠ WARNING

- To avoid possible electrical shock, before wiring fan, disconnect power by turning off the circuit breakers both to the outlet box and to its associated wall switch location. If you cannot lock the circuit breakers in the off position, securely fasten a prominent warning device, such as a tag, to the service panel.

1. Drill two pilot holes into the wood support structure through the outermost holes on the outlet box. The pilot holes should be $9/64$ " in diameter by $2\ 3/4$ " in depth.
2. Thread the lead wires from the outlet box through the hole in the middle of the ceiling plate.
3. Position the three isolators between the ceiling plate and ceiling by inserting the raised areas on each isolator into the holes in the ceiling plate. Refer to Figure 2a.
4. Align the slotted holes in the ceiling plate with the pilot holes in the wood support structure.
Note: The isolation pads should be flush against the ceiling.

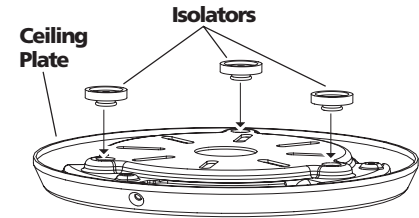


Figure 2a - Adding Isolators to Ceiling Plate

For Angle Mounting Only: Be sure to orient the ceiling plate so that the arrows on the plate point up towards the ceiling peak as shown in Figure 2b.

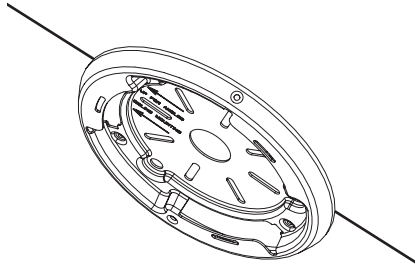


Figure 2b - Correct Position of Ceiling Plate for Angle Mounting

5. Place a flat washer on each of the two 3" screws and pass the screws through the slotted holes in the ceiling plate as shown in Figure 2c.
6. Tighten the screws into the 9/64" pilot holes; do not use lubricants on the screws. Do not over-tighten.

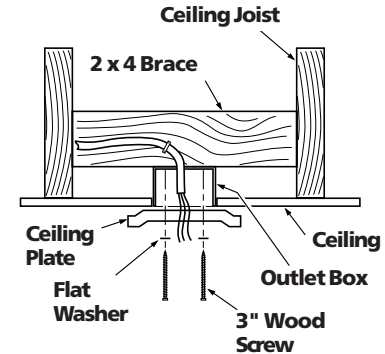


Figure 2c - Attaching Ceiling Plate to 2 x 4 Brace



STEP 3 - ASSEMBLING THE FAN

1. Insert the pipe through the hanger bracket and canopy as shown in Figure 3a. Feed wires from the fan through the pipe.
2. Screw pipe into fan assembly until tight. **IMPORTANT!** Tighten allen head pipe set screw as shown in Figure 3 with the included allen wrench.

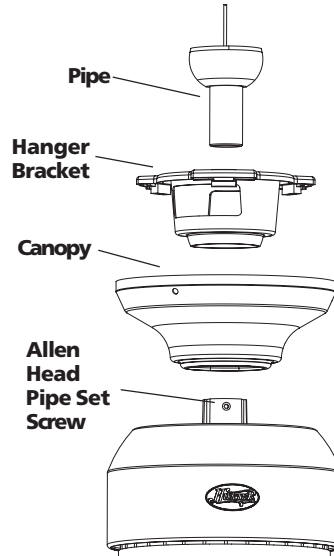


Figure 3 - Inserting Pipe through Hanger Bracket and Canopy

⚠ CAUTION

The pipe has a special coating on the threads. Do not remove this coating; the coating prevents the pipe from unscrewing. Once assembled, do not remove the pipe.

STEP 4 - HANGING THE FAN

1. Disconnect the power by turning off the circuit breakers to the outlet box and associated wall switch location.
2. Confirm that the three isolators are pre-installed on the hanger bracket. Refer to Figure 4a for location of the isolators.

Do not install the hanger bracket without the isolators installed.

Note: If the isolators are not pre-installed, place the three isolators on the hanger bracket as shown in Figure 4a.

3. Holding the hanger bracket with one hand and supporting the weight of the fan with the other hand, raise the hanger bracket up flush to the ceiling plate as shown in Figure 4b. Twist hanger bracket clockwise and lock in place.

Note: To remove the hanger bracket, while pressing the two small releases on the ceiling plate, twist the hanger bracket counterclockwise.

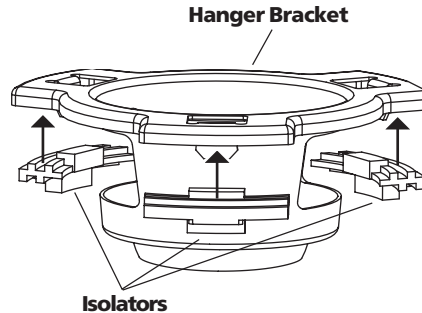


Figure 4a - Adding Isolators to the Hanger Bracket

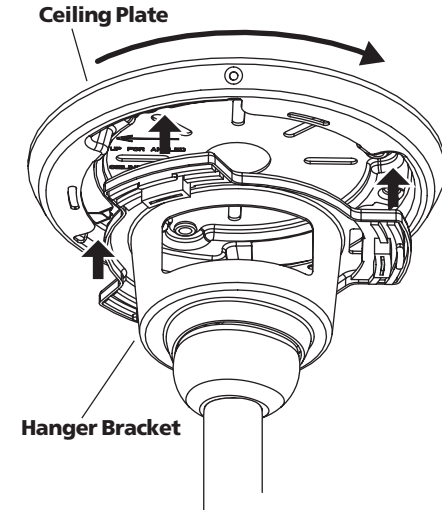


Figure 4b - Hanging the Fan



STEP 5 - WIRING THE FAN

⚠ WARNING

- To avoid possible electrical shock, before wiring fan, disconnect power by turning off the circuit breakers both to the outlet box and to its associated wall switch location. If you cannot lock the circuit breakers in the off position, securely fasten a prominent warning device, such as a tag, to the service panel.
- All wiring must be in accordance with national and local electrical codes and ANSI/NFPA 70. If you are unfamiliar with wiring, you should use a qualified electrician.

⚠ WARNING

To reduce the risk of fire, electrical shock, or motor damage, do not lift or carry the fan by the lead wires.

CONNECTING FAN TO ELECTRICAL SOURCE

1. Connect the wires as shown in Figure 5. To connect the wires, twist the bare metal leads together. Place a wire nut over the intertwined length of wire and twist clockwise until tight as shown.
2. Separate the connected wires by placing the green and white wires on one side of the outlet box and the black wires on the other side of the outlet box.

3. Turn the connectors upward. Push the wires gently into the outlet box.

⚠ CAUTION

Be sure no bare wire or wire strands are visible after making connections.

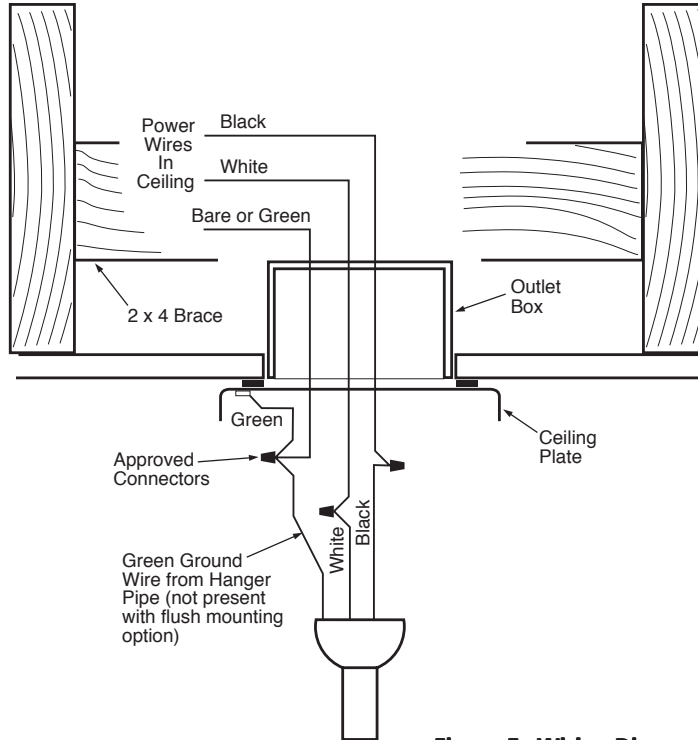


Figure 5 - Wiring Diagram



STEP 6 - ATTACHING THE CANOPY

Refer to Figure 6.

1. Raise the canopy and align the holes in the canopy with the holes in the ceiling plate.
2. Install and tighten the three canopy screws.

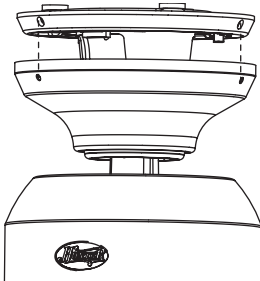


Figure 6 - Attaching Canopy to Ceiling Plate

STEP 7 - ASSEMBLING FAN BLADES

1. Attach each blade to the blade iron using three barrel nuts and three decorative screws as shown in Figure 7a, 7b and 7c.

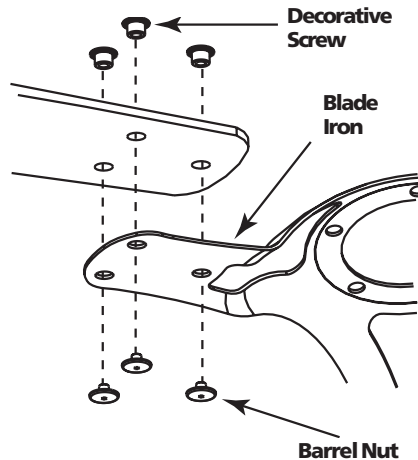


Figure 7a - Attaching Blades to Blade Iron

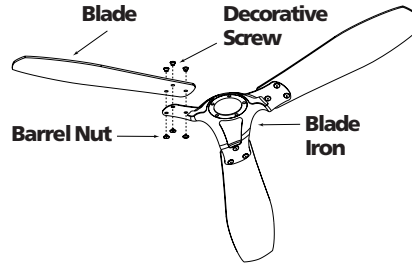


Figure 7b

2. Remove the blade mounting screws and rubber shipping bumpers from the motor.
3. Align the holes in the blade bracket and the cover plate with the five holes in the bottom of the motor and partially install the five 1/4"-20 Screws. Refer to Figure 7c.
4. Once all five screws are partially installed, tighten them securely.

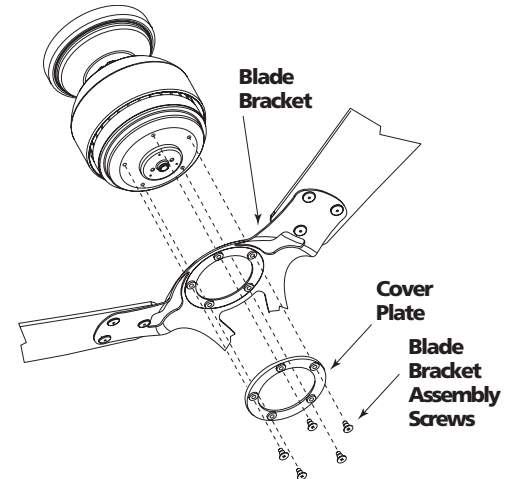


Figure 7c - Attaching Blade Iron Assembly to Motor



STEP 8 - ATTACHING THE SWITCH HOUSING

The switch housing is made up of two sections: the upper switch housing, and the lower switch housing.

ATTACHING THE UPPER SWITCH HOUSING

1. Partially install two #6-32 x 3/8" housing assembly screws into the switch housing mounting plate as shown in Figure 8a.

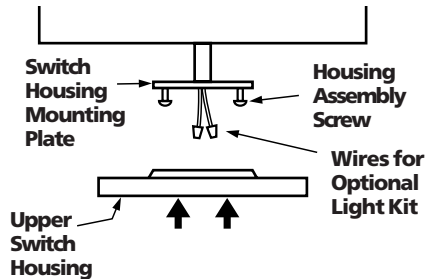


Figure 8a - Attaching Upper Switch Housing to Switch Housing Mounting Plate

2. Feed the two optional accessory light kit wires with the attached wire nuts through the center opening of the upper switch housing. See Figure 8a.
3. Align the keyhole slots in the upper switch housing with the housing assembly screws installed in sub-step 1.
4. Turn the upper switch housing counterclockwise until the housing assembly screws are firmly situated in the narrow end of the keyhole slots as shown in Figure 8b. Install the one remaining #6-32 x 3/8" housing assembly screw into the third hole in the upper switch housing. Tighten all three screws firmly.

CAUTION

Make sure the upper switch housing is securely attached to the switch housing mounting plate. Failure to properly attach and tighten all three housing assembly screws could result in the switch housing and light fixture falling.

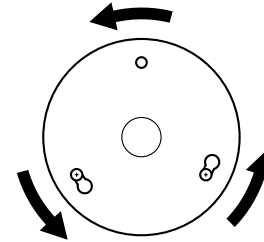


Figure 8b - Mounting the Upper Switch Housing

ATTACHING THE LOWER SWITCH HOUSING

1. Place the lower switch housing assembly over the upper switch housing. Make sure that the two wires for the optional light kit with wire nuts firmly attached, are completely inside the lower switch housing.
2. Align the side screw holes in the upper and lower switch housings. Attach the lower switch housing to the upper switch housing with three #6-32 x 3/8" housing assembly screws. See Figure 8c.

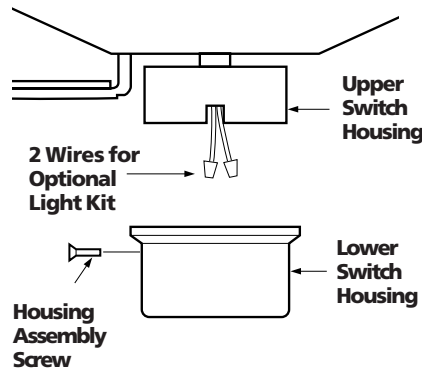


Figure 8c - Lower Switch Housing Installation

INSTALLING ACCESSORY LIGHT KITS

To install an optional light kit, replace the lower switch housing with the light kit compatible switch housing.

Follow the instructions included with the light kit for wiring, mounting and assembly. After completing installation refer to the fan instructions for switch housing reassembly.

The following Hunter Low Profile type light kit models **ARE NOT** compatible with this fan. **DO NOT** use the following models.

22498	26131	27140
22898	26132	27141
22909	26133	27142
26122	26134	27196
26126	26135	28048
26130	26136	29130



STEP 9 - REMOTE CONTROL

REMOTE CRADLE INSTALLATION

STANDARD LIGHT SWITCH

1. Remove the two screws holding the switch cover plate. Do not remove the cover plate.
2. Orient the control cradle as shown in Figure 9a, and line up the two inner mounting holes with those on the switch, insert screws, don't over tighten.

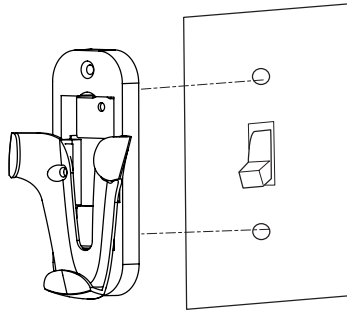


Figure 9a

ROCKER LIGHT SWITCH

1. Break off the two tabs by pushing outward. See Figure 9b.
2. Remove the two screws holding the switch cover plate. Do not remove the cover plate.
3. Orient the remote cradle as shown in Figure 9b. Line up the two outer mounting holes with those on the switch, insert screws, don't over tighten.

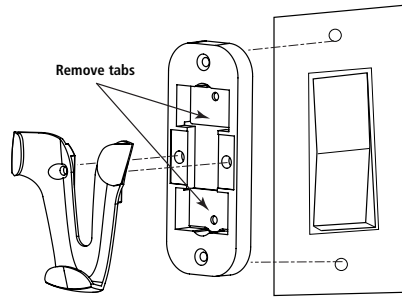


Figure 9b

WALL INSTALLATION

1. Locate a 2x4 wall stud in a convenient location.
2. Orient the remote cradle as shown in Figure 9c, over the 2x4 stud.
3. Use the 1" wood screws in either the inner or outer mounting holes.

Note: Wall anchors and 6-32 x 1" screws may be used in situations where mounting to a stud is not possible. Use the inner mounting holes.

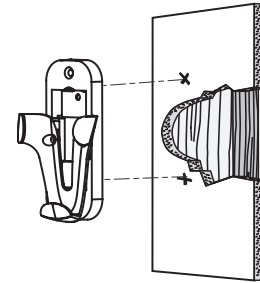


Figure 9c

BATTERY INSTALLATION

1. Slide the cover off the back of the remote as shown in Figure 9d, pressing in and sliding the cover down to release.
2. Install the included 12 volt alkaline battery (Type 23A, MN-21 or equivalent) inside the remote, matching polarity on the Battery Compartment as indicated by the + and - symbols in the Battery Compartment. See Figure 9d. Replace the cover.

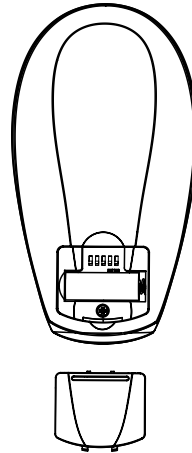


Figure 9d

DIP SWITCH SETTING

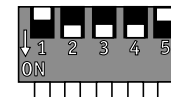
Note: You will only have to change the DIP switch settings in the remote if you are using more than one remote controlled fan in the same area and want to control them separately.

1. At the circuit breaker or fuse box, turn the power off for the fan you want to change.

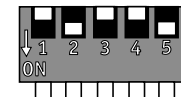
2. Slide the cover off the back of the remote and remove the battery. The battery must be removed when changing dip switch settings. Refer to BATTERY INSTALLATION and Figure 9d.

3. Change the DIP switch settings, assuring that they are different from the previously installed fan. Refer to Figure 9e.
4. Replace the battery and cover.
5. At the circuit breaker or fuse box, turn the power back on for the fan whose settings you are changing.
6. Within 20 seconds of restoring power, push the Hi, Med, and Lo buttons (in that order). Refer to Figure 9f.

Note: You may want to label your controls to assure you do not mix them up.



DIP Switch
Set to
01110



DIP Switch
Set to
01001

Figure 9e



Do not turn the power off at the circuit breaker, then back on, for the previously installed fan(s), as you may inadvertently change the DIP switch code settings for it as well.

Note: The DIP SWITCH SETTING sub steps must be repeated as described above for the proper setting of the DIP switch code in the receiver and remote.

POWER FAILURE

The receiver has a memory function that retains the last DIP switch code setting. The setting will not change in the event of power failure or if power to the fan is inadvertently shut off.

FAN CONTROL

Refer to Figure 9f for identification of control buttons.

To start the fan press the selected speed button to run the fan at the desired speed.

To turn off the fan. Press the FAN OFF button.

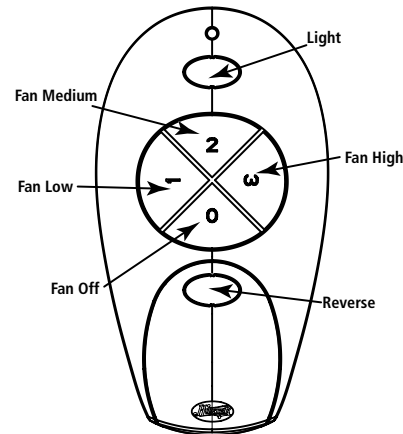


Figure 9f - Control Buttons

AIRFLOW DIRECTION

To reverse the airflow press the REVERSE button. Reverse operates at any speed whether fan is on or off. The fan returns to its set speed after reversing.

If the fan is not functioning after installation:

1. Check to make sure that battery is installed correctly in the control.
2. Turn the power off to the fan (from the circuit breaker) for at least 5 seconds.
3. Turn the power back on (at the circuit breaker) and push the Hi, Med, and Low buttons—in that order—within 20 seconds.
4. The fan should now function properly.



LIGHT CONTROL

Turn the light on or off independently from the fan by pressing the LIGHT button. When the light is on, press the LIGHT button 1 time for a gradual off (light dims from full brightness to completely off) or press the LIGHT button 2 times for an instant off.

Press the button for longer than 1 second, it becomes a dimmer. The light varies from 'bright' to 'dim' over approximately 8 seconds. This sequence will reverse the light when it reaches the brightest or dimmest level if you continue to hold the LIGHT button. Release the button when the desired level is reached.

AUTO RESUME

Quick (pressing less than 1 second) on/off operation of the LIGHT button maintains the desired brightness level set previously.

41462-01 10/14/2005

FCC INFORMATION

1. This device complies with Part 15 of the FCC Rules. Operation is subject to the following two conditions: (1) This device may not cause harmful interference, and (2) this device must accept any interference received, including interference that may cause undesired operation.
2. This equipment has been tested and found to comply with the limits for a Class B digital device, pursuant to Part 15 of the FCC Rules.

These limits are designed to provide reasonable protection against harmful interference in a residential installation. This equipment generates, uses and can radiate radio frequency energy and, if not installed and used in accordance with the instructions, may cause harmful interference to radio communications. However, there is no guarantee that interference will not occur in a particular installation.

If this equipment does cause harmful interference to radio or television reception, which can be determined by turning the equipment

off and on, the user is encouraged to try to correct the interference by one or more of the following measures:

- Reorient or relocate the receiving antenna.
- Increase the separation between the equipment and receiver.
- Connect the equipment into an outlet on a circuit different from that to which the receiver is connected.
- Consult the dealer or an experienced radio/TV technician for help.

Note: Any changes or modifications to the transmitter or receiver not expressly approved by Hunter Fan Company may void one's authority to operate this remote control.

3. For use only with electrically reversible ceiling fans rated at 1.0 amp or less, and fan incandescent light kits rated at 300 watts or less.
4. Not for use with shaded-pole or nonreversible motors. Not recommended for use with the Hunter Original ®.



OPERATING YOUR HUNTER FAN

1. Turn on electrical power to the fan.
2. Refer to the STEP 9 - REMOTE CONTROL, for operation.
3. Ceiling fans work best by blowing air downward (counterclockwise blade rotation) in warm weather to cool the room with a direct breeze. In winter, having the fan draw air upward (clockwise blade rotation) will distribute the warmer air trapped at the ceiling around the room without causing a draft.
4. If your fan wobbles when operating, use the enclosed balancing kit and instructions to balance the fan.

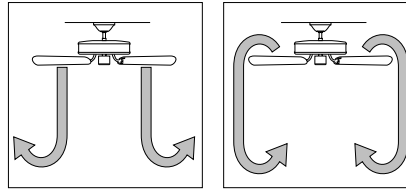


Figure 10a - Air Flow Patterns



CLEANING AND MAINTENANCE

Caring for finishes: For cleaning, a soft brush or lint-free cloth should be used to prevent scratching the finish. A vacuum cleaner brush nozzle can remove heavier dust. Surface smudges or an accumulation of dirt and dust can easily be removed by using a mild detergent and a slightly dampened cloth. An artistic agent may be used, but never use abrasive cleaning agents as they will damage the finish.

Caring for blades: Wood finish blades should be cleaned with a furniture polishing cloth. Occasionally, a light coat of furniture polish may be applied for added protection and beauty. Painted and high-gloss blades may be cleaned in the same manner as the fan finish.

MANUFACTURER'S PHONE NUMBER

If you need parts or service assistance, please call 901-248-2222 or visit us at our WEB site at:

<http://www.hunterfan.com>



TROUBLESHOOTING

PROBLEM

Nothing happens; fan does not move.

PROBABLE CAUSE

1. Power turned off, fuse blown, or circuit breaker tripped.
2. Loose wire connections or wrong connections.
3. Remote battery weak or not installed properly.
4. Shipping bumpers still in place.
5. Dip Switches not set.
6. Fan remote receiver defective.

SOLUTION

1. Turn power on, replace fuse, or reset breaker.
- 2a. Loosen canopy, check all connections according to STEP 5 - WIRING THE FAN (**turn power off before checking**).
- 2b. Check the plug connection in the switch housing according to STEP 8 - ATTACHING THE SWITCH HOUSING.
3. Install fresh Alkaline battery. See STEP 9 - REMOTE CONTROL.
4. Remove shipping bumpers.
5. See STEP 9 - REMOTE CONTROL.
6. Replace receiver.

Note: Replace with battery type 23A, MN-21 or equivalent. See STEP 9 - REMOTE CONTROL.



PROBLEM

Noisy operation.

PROBABLE CAUSE

1. Blade iron screwed loosely to motor.
2. Blade screwed loosely to blade iron.
3. Blade cracked.
4. Using non-approved speed control.
5. Optional Light Kit is not properly installed.
6. Switch housing is loose.

SOLUTION

1. Tighten screws until snug.
2. Tighten screws until snug.
3. Replace all blades.
4. Change to approved speed control.
5. Refer to the Optional Light Kit installation instructions.
6. Check and tighten screws to the switch housing mounting plate and to the upper and lower switch housing.

Excessive wobbling.

Note: When switching from medium to low speed, you may notice some fan wobble. When the fan stabilizes at low speed, wobble will disappear.

1. Unbalanced blades.
2. Loose blades or blade iron.
3. Fan not secure on hanger assembly.
4. Fan hanger ball not seated in canopy tabs.

1. Use balancing kit included with fan.
2. Tighten all screws.
3. Turn power off, support fan very carefully, loosen canopy and hang correctly.
4. Turn power off, support the fan very carefully, and check that the hanger ball is properly seated.



PROBLEM	PROBABLE CAUSE	SOLUTION
Remote battery life seems short.	Not using alkaline batteries.	Replace with alkaline battery.
Remote operates only at close range.	Battery too weak.	Replace with new alkaline battery, type 23A, MN-21 or equivalent.
Inconsistent Remote operation.	<ol style="list-style-type: none">1. RF interference.2. Continuing RF interference.	<ol style="list-style-type: none">1. Turn OFF wall switch for 5 seconds, then turn back ON.2. Change DIP switch settings to a different code. Follow complete DIP switch change steps found in STEP 9 - REMOTE CONTROL, sub step DIP SWITCH SETTING.

If you have tried these troubleshooting solutions and still have trouble, call 901-248-2222 or visit our Web site at <http://www.hunterfan.com>.

Free Manuals Download Website

<http://myh66.com>

<http://usermanuals.us>

<http://www.somanuals.com>

<http://www.4manuals.cc>

<http://www.manual-lib.com>

<http://www.404manual.com>

<http://www.luxmanual.com>

<http://aubethermostatmanual.com>

Golf course search by state

<http://golfingnear.com>

Email search by domain

<http://emailbydomain.com>

Auto manuals search

<http://auto.somanuals.com>

TV manuals search

<http://tv.somanuals.com>