



SINCE

1886

Installation Instructions for Hunter Original Ceiling Fans

IMPORTANT! Read and save these instructions!

Read this entire manual thoroughly before beginning installation.

⚠ WARNINGS

- To avoid possible electrical shock, before wiring fan, disconnect power by turning off the circuit breakers both to the outlet box and to its associated wall switch location. If you cannot lock the circuit breakers in the off position, securely fasten a prominent warning device, such as a tag, to the service panel.
- All wiring must be in accordance with national and local electrical codes. If you are unfamiliar with wiring, you should use a qualified electrician.
- To reduce the risk of personal injury, install the fan only to the building structure according to these instructions and use only the hardware supplied.

⚠ CAUTIONS

- **NEVER REST THE FAN ON THE SWITCH HOUSING.** As you prepare the fan for installation, rest the motor in the liner in which it was packed.
- Be sure to put full contents of the oil tube into the fan according to the instructions.
- If this fan is used as a replacement for an Original Old-Tyme nonreversible fan, it must be installed per the instructions included with this fan. **DO NOT HANG THIS FAN ON A SINGLE "J" HOOK.** Failure to do so could result in the fan falling.
- To reduce the risk of noise and to ensure proper fan operation, do not use a solid-state speed control with this fan. Use Hunter speed controls for Hunter Originals only.

- Do not use an abrasive cleaner on the fan. A mild detergent will clean and restore most units to their original beauty.

Installing Your Hunter Ceiling Fan

Note To Installers: Please leave this manual with the home owner.

Tools needed:

- Pliers
- 1 1/64" drill bit
- Electric drill
- 4" x 1-1/2" standard octagon electrical box
- 3/8" Socket Wrench
- Flat blade screwdriver
- Phillips screwdriver

Step 1: Pre-Installation

1. Select the installation site: Normally this is near the center of the room, often replacing a light fixture. Make certain that ample clearance is left for the rotating fan blades. For maximum efficiency, no obstructions (walls, posts, etc.) should be within 24" of the tips of the blades. See Figure 1.

NOTE: Mounting should also meet the precautions listed in Step 3.

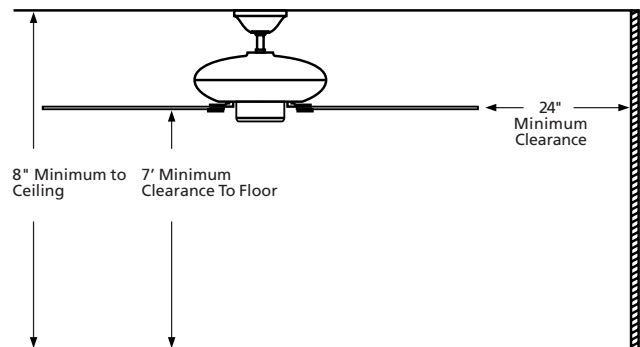


Figure 1

2. Fan mounting height: Your Hunter fan comes with the proper hardware to hang the fan from a standard 8 foot ceiling so that the fan blades will be 12" from the ceiling and approximately 7 feet from the floor. See Figure 1.

NOTE: On Vaulted ceilings, up to 45° pitch, you must use the Hunter Vaulted Ceiling Mounting Kit.

Step 2: Inspect the Fan

1. Unpack the fan carefully to avoid any damage to components.

CAUTION: NEVER LIFT THE MOTOR BY THE WIRES. LET THE MOTOR REST IN THE CARTON LINER FOR PROTECTION.

2. Check the sack parts. See Figure 2.

Fan Parts (Not Drawn to Scale)

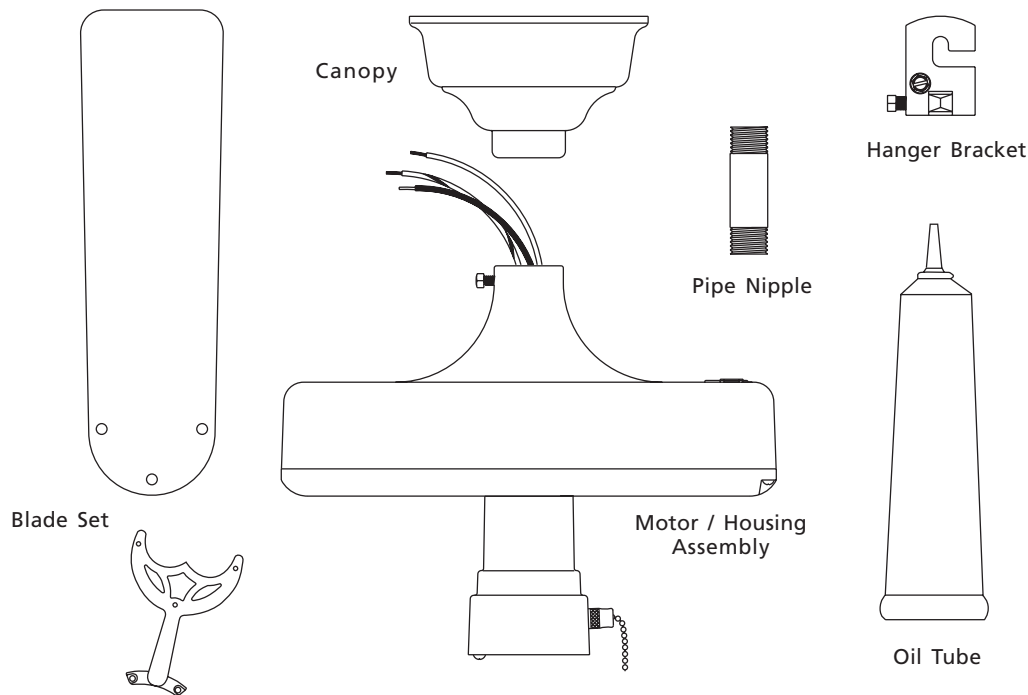
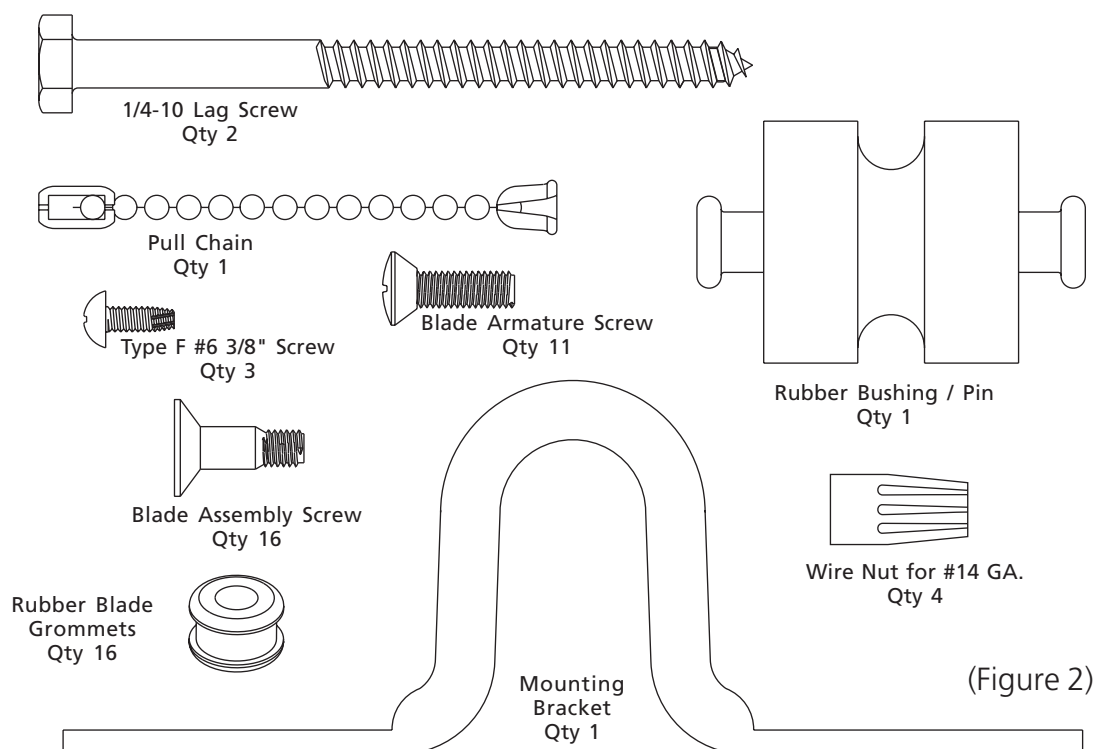


Figure 2

Hardware (Drawn to Scale)



(Figure 2)

Step 3: Installation of Ceiling Mounting Hardware

CAUTION: YOUR HUNTER CEILING FAN WEIGHS UP TO 50 LBS. THE FOLLOWING PRECAUTIONS MUST BE TAKEN FOR SAFETY, AND TO ENSURE THAT YOUR FAN IS SECURELY MOUNTED TO THE CEILING

- When inspecting or preparing the installation site where wiring is available, to avoid possible electrical shock, disconnect power by turning off the circuit breakers both to the outlet box and to its associated wall switch location. If you cannot lock the circuit breakers in the off position, securely fasten a prominent warning device, such as a tag, to the service panel.
- All wiring must be in accordance with national and local electrical codes. If you are unfamiliar with wiring, you should use a qualified electrician.
- Do not mount directly to an unsupported ceiling or to an electrical outlet box.
- The wood joist chosen for mounting the fan must be sound and of sufficient size. In no case, should it be smaller than standard 2" x 4" lumber.

1. Secure a metallic outlet box 4" x 1-1/2" or 4" x 1/2" deep to a 2" x 4" cross brace between two ceiling joists as shown in Figure 3. The outlet box must be recessed in the ceiling by 1/16" minimum. Secure the outlet box to the cross brace by drilling two (2) pilot holes no larger than the minor diameter of the wood screws (5/64") and use two #8 x 1-1/2" wood screws and washers. Use the innermost holes for securing the box. Orient the box so the outermost holes are aligned with the 2" x 4" brace. The outermost holes will be use in Step 3 sub-step 2.

CAUTION: DO NOT USE A LUBRICANT ON THE SCREWS.

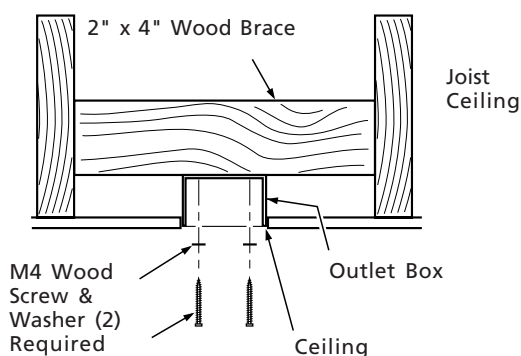


Figure 3

2. Drill two (2) 11/64" diameter holes through the outermost holes in the box 2" deep into the cross brace. These holes are for the bracket screws.
3. Use the two (2) bracket screws to secure the hanger bracket to the joist as shown in Figure 4. Install the rubber bushing in the hanger bracket before assembling the parts to the ceiling joist. Do not use lubricant on the screw threads.

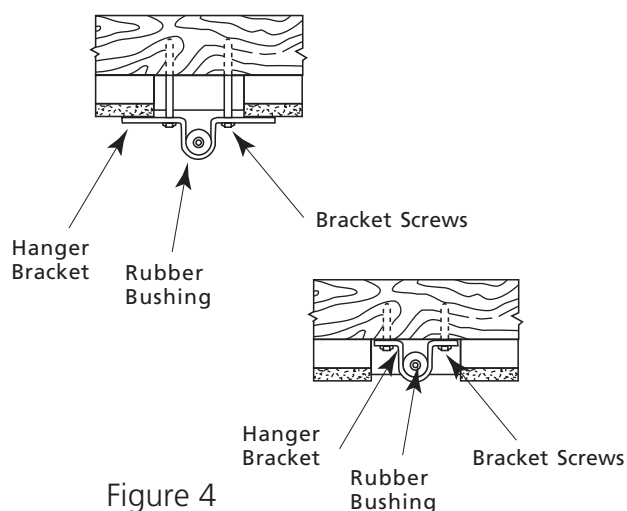
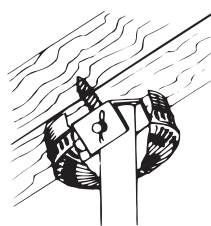


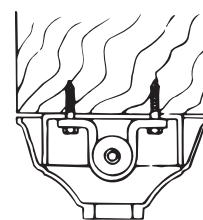
Figure 4

Installation on Pitched or Beam Ceilings

Choose the specific figure below showing the mounting appropriate to your ceiling. Use the figure as a guide in conjunction with the basic mounting instructions. For mounting on a pitched ceiling, you should use a Hunter Vaulted Ceiling Mounting Kit and hanger pipe, which are available from your Hunter dealer.



Pitched Ceiling with
Vaulted Ceiling Mount Kit
Figure 5



Horizontal Beam
Mount
Figure 6

Installation in Concrete Ceilings

CAUTIONS: YOUR HUNTER CEILING FAN WEIGHS UP TO 50 LBS. THE FOLLOWING PRECAUTIONS MUST BE TAKEN FOR SAFETY, AND TO ENSURE THAT YOUR FAN IS SECURELY MOUNTED TO THE CEILING

- For concrete mounting, the drilled hole must be recommended by the manufacturer of the anchor and it must be drilled at least 1/2" deeper than the length of the anchor.

NOTE: The drilled hole is usually marked on the anchor.

- The holes must be made with a suitable carbide-tipped masonry drill bit.
- The anchors must be new and unused.
- The concrete ceiling must be sound and free of cracks or voids in the vicinity of the mounting holes.
- The anchors must be set in flush with the surface of the concrete. See figure 7.
- The bracket screws must never be backed out. If the bracket screws can be turned easily (by hand), do not hang the fan.

1. Drill holes 2" deep in concrete ceiling to receive 1/4" x 1-1/2" expansion shield anchor, "Rawl No. 1055" or equal. (Not furnished.)
2. Install shield in holes, observing all cautions above.
3. Proceed with the installation of the fan per the basic installation instructions.

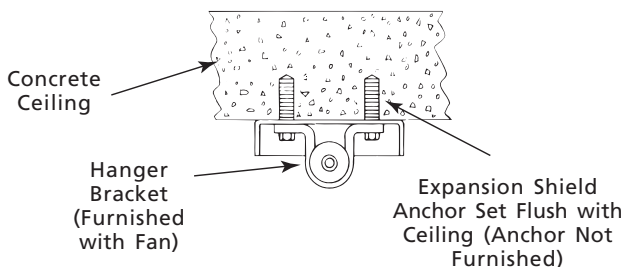


Figure 7

Step 4: Hanging the Fan

CAUTION: BE SURE TO TIGHTEN THE PIPE NIPPLE INTO THE FAN, THE HANGER BRACKET ONTO THE PIPE, AND TIGHTEN THE TWO SET SCREWS AS DESCRIBED IN SUB-STEP 2 TO PREVENT THE FAN FROM FALLING.

CAUTION: YOUR FAN MAY WEIGH UP TO 50 LBS. ALL OF THE FOLLOWING STEPS MUST BE FOLLOWED IN ORDER TO ENSURE A SECURE MOUNTING. PERFORM SUB-STEP 1 - 4 WITH THE MOTOR RESTING IN THE PACKAGING LINER FOR PROTECTION.

1. Take the hanger bracket from the sack parts and locate the pipe nipple. Feed the wires from the top of your motor through the pipe.
2. Back out the set screw in the neck of the motor housing and the hanger bracket so the pipe can be screwed in. Screw the pipe into the fan until tight (At least 4-1/2 turns). Feed the wire through the hanger bracket and screw the hanger bracket onto the pipe until tight (At least 3 turns). Then use pliers to tighten both the hanger bracket and the pipe together. Tighten the set screw in the motor housing with pliers. Securely tighten the set screw in the hanger bracket. See Figure 8.

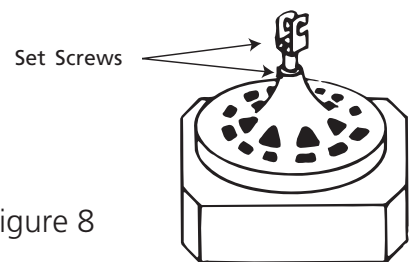


Figure 8

3. **Be sure the pin is centered in the rubber bushing.** See Figures 9 and 10.
4. Lift the fan by the motor housing and hook the hanger bracket onto the pin in the rubber bushing. Make sure both ends of the pin are outside **the hanger bracket.** See Figure 10.

WARNING: FAILURE TO PERFORM THESE STEPS IN THE CORRECT ORDER MAY RESULT IN THE FAN FALLING.

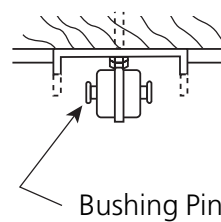


Figure 9

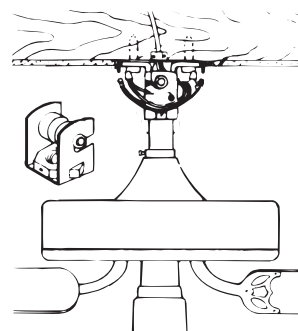


Figure 10

Step 5: Wiring Instructions and Canopy Installation

CAUTION: BE CERTAIN THAT ELECTRICITY IS TURNED OFF AT THE MAIN PANEL BEFORE ANY WIRING IS DONE.

NOTE: Before you do the final wiring, you should decide how you want to control your fan - with a pull cord, a wall switch or a speed control. At this point, you should also decide if you want to add a light adapter kit. Separate wiring instructions for Hunter accessories are included in the accessory packages.

- All wiring must be in accordance with national and local electrical codes. If you are unfamiliar with wiring, you should use a qualified electrician.
1. Connect the black electrical supply lead to the black motor lead and the black with white stripe motor lead. (See Note below.)
 2. Connect the white electrical supply lead to the white motor lead.
 3. Connect the ground wire to the green screw on the side of the hanger bracket. See Figure 11.

NOTE: If a separate wall switch will be used to control a lighting accessory, connect the black wire with the white stripe to the wall switch lead, following the wiring instructions included with the accessory. The wall switch must be a listed general-use switch.

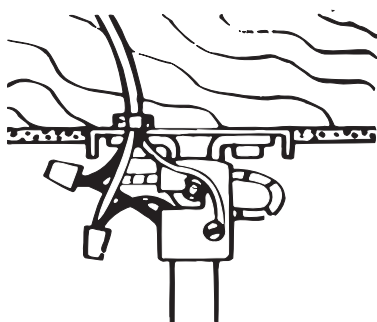


Figure 11

CAUTION: NO BARE WIRE OR WIRE STRANDS SHOULD BE VISIBLE AFTER MAKING CONNECTIONS.

4. After making the wire connections, the wires should be spread apart with the white and green wires on one side of the outlet box, and the black and black with white stripe wires on the other side of the box.
5. The splices should be turned upward and pushed carefully up into the outlet box.

Step 6: Lubrication

1. Your fan has been shipped without oil in the motor. A tube of high grade SAE 10 non-detergent oil is packed in the sack parts.
 2. Unscrew the oil hole screw on the side of the switch housing. See Figure 12.
 3. Cut the tip off the tube, tilt the fan motor as shown and place the tube into the oil hole of the switch housing. See Figure 13.
- NOTE:** It may be necessary to puncture the tube to allow air in.
4. Fill the oil until the oil just starts pouring out of the oil hole. This is the indication that the oil tank is now filled.

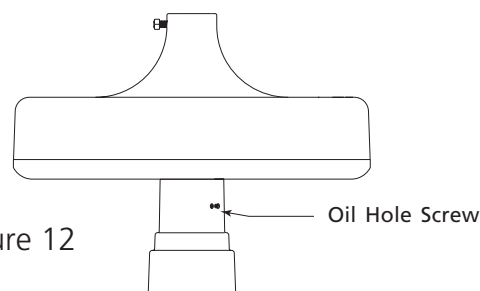


Figure 12

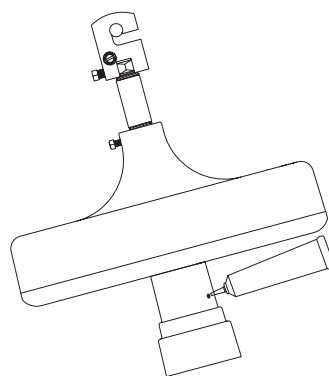


Figure 13

Your Original Hunter's Unique Lubricating System

The bearings are submerged in a bath of oil. The oil moves up a spiral groove in the shaft, lubricating all bearing surfaces as the fan operates. This Lubrication System does not normally "use up" or require the addition of extra oil once the oil reservoir has been filled to the correct level. This unique lubrication system is one reason your Original Hunter Ceiling Fan will last a lifetime. It is highly unlikely that you will ever need to add oil to you Original fan once it is installed. Should you move you fan to another location, it is a good idea to check the oil reservoir. Hunter has developed an accessory "Original Relocation Kit"

that includes all mounting hardware and a fresh tube of oil for this reason. The model number is 22360.

CAUTION: DO NOT TURN THE FAN ON UNTIL LUBRICATION HAS BEEN ADDED. TO OPERATE THE FAN WITHOUT OIL OR WITH LOW OIL WILL VOID YOUR WARRANTY.

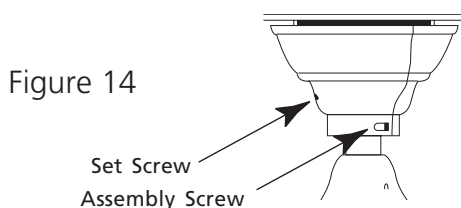
Canopy Installation

1. Assemble the canopy halves around the pipe. Screw together loosely using the two canopy screws provided in the sack parts.

NOTE: Brass and Antique Brass canopies are shipped together.

2. Position the canopy close to the ceiling.
3. Tighten both of the assembly screws and SCREW IN the canopy set screw. See Figure 14.

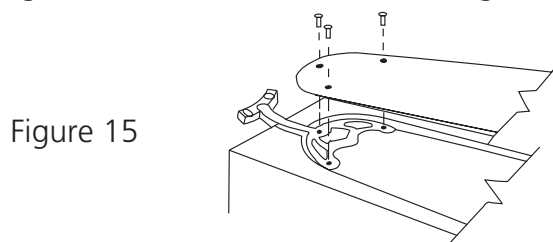
NOTE: If a Vaulted Ceiling Mounting Kit is used, follow the canopy instructions provided with the kit.



Step 7: Fan Blade Assembly and Installation

WARNING: TO REDUCE THE RISK OF PERSONAL INJURY, DO NOT BEND THE BLADE BRACKETS WHEN INSTALLING THE BRACKETS, BALANCING THE BLADES OR CLEANING THE FAN. DO NOT INSERT FOREIGN OBJECTS IN BETWEEN ROTATING FAN BLADES.

1. Attach the wood blades to the blade brackets using three screws for each blade. See Figure 15.



2. If your blades have large holes, you must first insert the rubber grommets into the holes. See Figure 16.
3. Make sure that all screws are tight to prevent vibration or wobbling. A cavity in the styrofoam

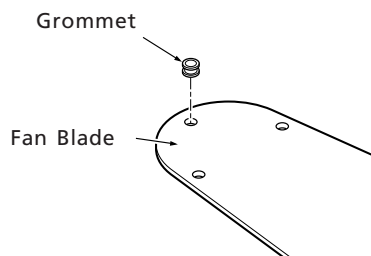
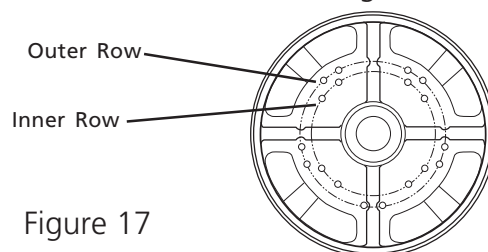


Figure 16

packaging has been provided to nest the parts in during assembly to assure correct alignment of parts.

NOTE: Grommets are usually assembled by hand. If you use a tool, make certain you do not damage the grommet or blade when inserting the grommets.

4. With some fans you have an option to install four or five blades. For five blades, mount to the outer row of holes on the motor. For four blades use the inner row. See Figure 17.



5. To install the blades to the motor, insert the blade iron screw through the hole in the blade iron. Use a screwdriver to hold in place.
6. Fasten the screw onto the motor, but do not overtighten. See Figure 18.
7. Line up the other hole on the motor and fasten the second screw.

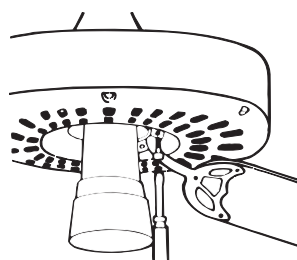


Figure 18

NOTE: Before tightening the screws, make sure they are not cross-threaded in the mounting holes.

8. Tighten both screws securely. Repeat for the remaining blades.

CAUTION: DO NOT ATTEMPT TO RUN THE FAN UNTIL ALL SCREWS HAVE BEEN TIGHTENED SECURELY.

9. A blade balancing kit has been provided with your fan. Should the fan wobble in operation,

you may use this kit to correct the balance per the instructions supplied with the kit.

Step 8: Operation of Your Hunter Fan

1. The operation of your fan is controlled with a pull-chain switch, which has four (4) positions: Off — High — Medium — Low. Pull the chain gently to obtain the speed you desire.
2. The Break-A-Way Connector is designed to separate from the chain at a predetermined force. If this separation occurs, simply reinsert the connector. It can be used again and again. See Figure 19.

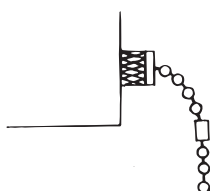
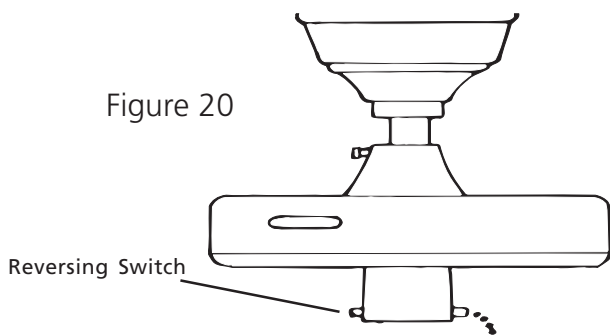


Figure 19

3. Reversing your fan is controlled by a small switch located on the switch housing. See Figure 20.

NOTE: Ceiling fans are usually adjusted once in the fall and again in the spring to blow upward in the winter and downward in the summer. You may run them in either direction at anytime, however, as you prefer. Experiment as you like to obtain maximum comfort from your fan.

Figure 20



Care and Maintenance

Once properly installed, your fan needs little attention, beyond checking the oil level. Oil is checked with a pip cleaner used as a dipstick. See Step 6. Take care when cleaning your fan. Never use an abrasive cleanser or brass polish. Use a damp cloth or sponge. Do not drip water or soap into the motor. Blades should be wiped clean periodically to prevent dust buildup. Be careful not to bend the blade irons. If blades are cracked

or blade irons bent, do not attempt to repair them. Order replacement parts from your Hunter dealer.

The Inside Story

Oil is constantly pumped up the spiral groove to lubricate the rotor and the shaft. The oil is returned to the reservoir where the bearings are submerged in a bath of oil. This unique lubrication system is built into all Original Hunter Ceiling Fans. That's one reason Hunters last so long. And why we can offer a Limited Lifetime Warranty.

We appreciate the opportunity to supply you with the best ceiling fan available anywhere in the world.

Record the following information for your records and warranty assistance. Please refer to the carton and the Hunter nameplate (located on the top outside fan motor housing) for the proper information.

Model Name _____

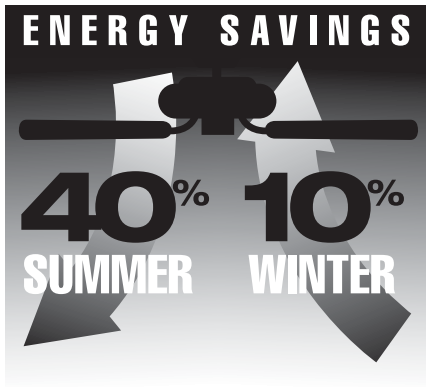
Catalog No. _____

Serial No. _____

Date Purchased _____

Where Purchased _____

Attach Your Receipt
or a Copy of
Your Receipt Here



Hunter fans have the power to cut your cooling costs up to 40%.

Beat the High Cost of Cooling

The air movement created by a Hunter ceiling fan lets you set your thermostat higher and still stay comfortable. Every degree you raise the thermostat saves up to 7% on energy costs. So, you can cut back on expensive air conditioning...and save up to 40%* on cooling. In winter, your Hunter fan recirculates warm air and saves up to 10%* on heating bills.

*Your savings many vary based on climate, building type and thermostat setting. On average at low speed settings.

Congratulations! You're saving energy and money while protecting the environment by purchasing this ENERGY STAR qualified Hunter ceiling fan! With this purchase, you are doing your part to protect the environment. In 2010, ENERGY STAR qualified ceiling fans are projected to cut air pollution by more than 500 million pounds!

*Save Energy and
Money While
Protecting the
Environment*



Your new ceiling fan has earned the ENERGY STAR label because it meets high energy efficiency specifications set by the Environmental Protection Agency (EPA). ENERGY STAR labeled ceiling fans save energy because they have more efficient fan motors and air delivery due to more aerodynamic blade configurations. Ceiling fan models bearing the ENERGY STAR label move air 14 - 20% more efficiently than typical ceiling fan models. For more information on ENERGY STAR visit www.energystar.gov.

TROUBLESHOOTING

PROBLEM

Nothing happens; fan does not move.

Note: If blades will not turn by hand, contact your nearest service representative or dealer for assistance.

PROBABLE CAUSE

1. Power turned off, fuse blown, or circuit breaker tripped.
2. Loose wire connections or wrong connections.
3. Motor reversing switch not engaged.
4. Pull chain switch not "on."

SOLUTION

1. Turn power on, replace fuse, or reset breaker.
2. Loosen canopy, check all connections according to STEP 5 - WIRING INSTRUCTIONS (turn power off before checking).
3. Push switch firmly up or down.
4. Pull switch chain.

Noisy operation.

1. Blade brackets screwed loosely to motor.
2. Blade screwed loosely to blade iron.
3. Blade cracked.
4. Canopy contacting ceiling.
5. No oil or low oil level.

1. Tighten screws until snug.
2. Tighten screws until snug.
3. Replace all blades.
4. Lower canopy.
5. Check oil level.

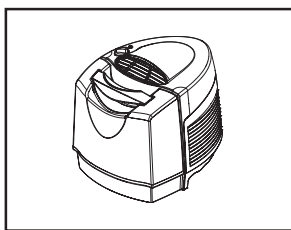
Excessive Wobbling.

1. Unbalanced blades.
2. Inadequate blade clearance.
3. Loose blades or blade irons.
4. Fan not secure on hanger assembly.

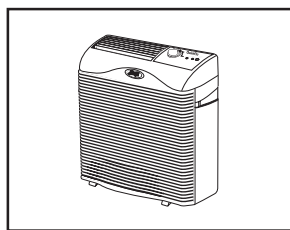
1. Rebalance. (See Step 7 sub-step 4.)
2. Relocate Fan.
3. Tighten all screws.
4. Turn power off. Support fan very carefully. Loosen canopy and hang correctly.

If you have tried these troubleshooting solutions and still have trouble, call 901-248-2222 or visit our Web site at <http://www.hunterfan.com>.

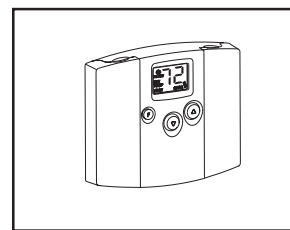
Other Home Comfort Products from Hunter



Care-Free
Humidifier Plus™
Evaporative Humidifier



QuietFlo™
True HEPA Air Purifier



Programmable
Thermostat

To learn more about Hunter Fan Company products, please see our web page at:
www.hunterfan.com

HUNTER FAN COMPANY
2500 FRISCO AVENUE
MEMPHIS, TN 38114, USA



Free Manuals Download Website

<http://myh66.com>

<http://usermanuals.us>

<http://www.somanuals.com>

<http://www.4manuals.cc>

<http://www.manual-lib.com>

<http://www.404manual.com>

<http://www.luxmanual.com>

<http://aubethermostatmanual.com>

Golf course search by state

<http://golfingnear.com>

Email search by domain

<http://emailbydomain.com>

Auto manuals search

<http://auto.somanuals.com>

TV manuals search

<http://tv.somanuals.com>