

**For Your Records and
Warranty Assistance**

For reference, also attach your receipt or a copy
of your receipt to the manual.

Model Name

Model No.

Date Purchased

Where Purchased

Camille

Owner's Guide and Installation Manual

English

Español

SINCE 1886
Hunter[®]

Welcome

Your new Hunter® ceiling fan is an addition to your home or office that will provide comfort and performance for many years. This installation and operation manual gives you complete instructions for installing and operating your fan.

We are proud of our work. We appreciate the opportunity to supply you with the best ceiling fan available anywhere in the world.

Before installing your fan, for your records and warranty assistance, record information from the carton and Hunter nameplate label (located on the top of the fan motor housing).

Table Of Contents

1 • Getting Ready.....	6
2 • Installing the Ceiling Bracket.....	7
3 • Assembling and Hanging the Fan ...	8
4 • Wiring the Fan	9
5 • Installing the Canopy.....	10
6 • Assembling the Blades.....	11
7 • Completing Your Installation With a Bowl Light Fixture.....	12
8 • Operating the Remote Control and Mounting the Holder.....	15
9 • Operating and Cleaning Your Ceiling Fan	16
10 • Troubleshooting	17

Cautions and Warnings

• READ THIS ENTIRE MANUAL CAREFULLY BEFORE BEGINNING INSTALLATION. SAVE THESE INSTRUCTIONS.

- Use only Hunter replacement parts.
- To reduce the risk of personal injury, attach the fan directly to the support structure of the building according to these instructions, and use only the hardware supplied.
- To avoid possible electrical shock, before installing your fan, disconnect the power by turning off the circuit breakers to the outlet box and associated wall switch location. If you cannot lock the circuit breakers in the off position, securely fasten a prominent warning device, such as a tag, to the service panel.
- All wiring must be in accordance with national and local electrical codes and ANSI/NFPA 70. If you are unfamiliar with wiring, use a qualified electrician.
- To reduce the risk of personal injury, do not bend the blade attachment system when installing, balancing, or cleaning the fan. Never insert foreign objects between rotating fan blades.
- To reduce the risk of fire, electrical shock, or motor damage, do not use a solid-state speed control with this fan. Use only Hunter speed controls, which are solid state.
- This product conforms to UL STD 507 and is certified to STD C22.2 No.113
- Wash your hands after your fan installation is complete.

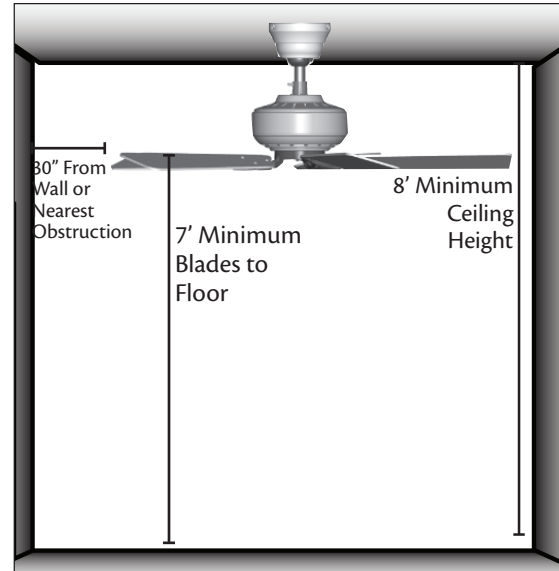
Preparing the Fan Site

Step 1 - Choose the Fan Site

Proper ceiling fan location and attachment to the building structure are essential for safety, reliable operation, maximum efficiency, and energy savings.

Choose a fan site where:

- No object can come in contact with the rotating fan blades during normal operation.
- The fan blades are at least 7 feet above the floor and the ceiling is at least 8 feet high.
- The fan blades have no obstructions to airflow, such as walls or posts, within 30 inches of the fan blade tips.
- The fan is directly below a joist or support brace that will hold the outlet box and the full weight of the fan.



Checklist for Existing Fan Site

If you want to use an existing fan site, complete the following checklist to determine if the site is acceptable and safe for your new Hunter fan. If you cannot check off every item, prepare a new fan site as described on this page.

Fan Support System

- Fan attaches directly to building structure.
- Fan support system will hold full weight of the fan and light kit.

Ceiling Hole

- The outlet box clearance hole is directly below the joist or support brace.

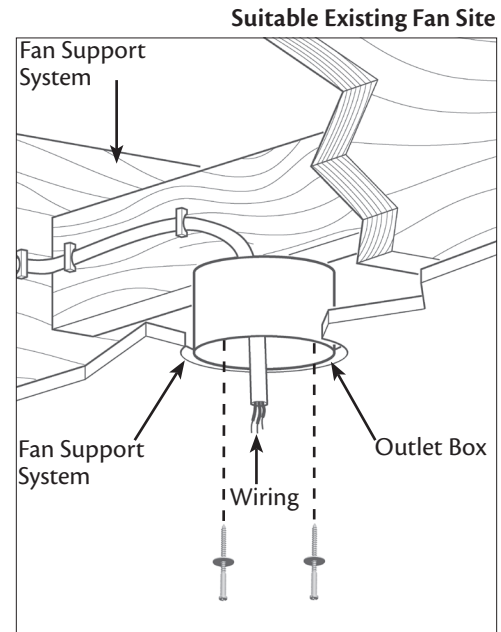
Outlet Box

- The outlet box is an UL-approved octagonal 4" x 1-1/2" outlet box (or as specified by the support brace manufacturer).
- The outlet box is secured to the joist or support brace by wood screws and washers through the inner holes of outlet box.
- The outer holes of the outlet box are aligned with joist or support brace.
- The bottom of the outlet box is recessed a minimum of 1/16" into ceiling.

Wiring

- The electrical cable is secured to outlet box by an approved connector.
- Six inches of lead wires extend from outlet box.

If your existing fan site is suitable, skip ahead to Section 2 • Installing the Ceiling Plate.



Preparing the Fan Site (continued)

Step 2 - Cut the Ceiling Hole

- 2-1. Locate the site for the ceiling hole directly below the joist or support brace that will hold the outlet box and fan.
- 2-2. Cut a 4" diameter hole through the drywall or plaster of the ceiling. You will use the hole to install the support brace and outlet box.

Step 3 - Install a Support Brace, If Necessary

Determine if there is a ceiling joist directly above the ceiling hole. If the joist is there, determine if it is positioned to allow you to recess the outlet box a minimum of 1/16" into the ceiling. If NOT, install a support brace as follows:

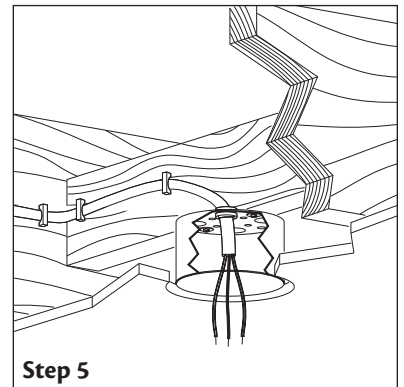
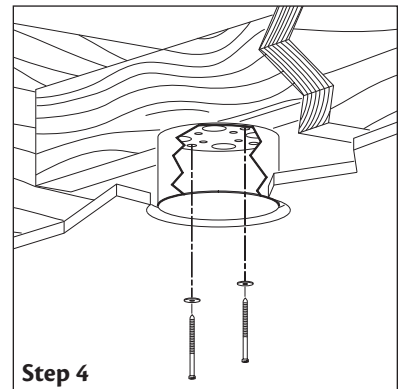
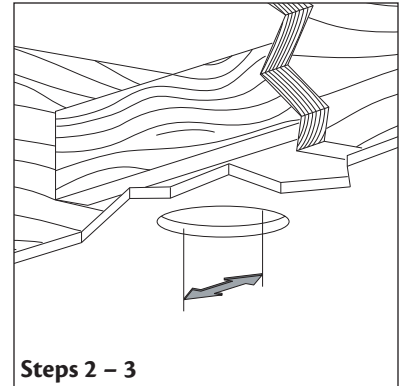
- 3-1. Attach a 2" x 4" support brace between two joists. Position it to allow you to recess the bottom of the outlet box a minimum of 1/16" into the ceiling.
- 3-2. Check the support brace to ensure it will support the full weight of the fan and light kit.

Step 4 - Install the Outlet Box

- 4-1. Obtain a UL-approved octagonal 4" x 1-1/2" outlet box, plus two #8 x 1-1/2" wood screws and washers, available from any hardware store or electrical supply house.
- 4-2. Orient the outlet box so that both the inner and outer holes in the box align with the joist or support brace.
- 4-3. Drill pilot holes no larger than the minor diameter of the wood screws (5/64") through the inner holes of the outlet box.
- 4-4. Attach the outlet box directly to the support brace or joist with two #8 x 1-1/2" wood screws and washers. The bottom of the outlet box must be recessed a minimum of 1/16" into the ceiling.

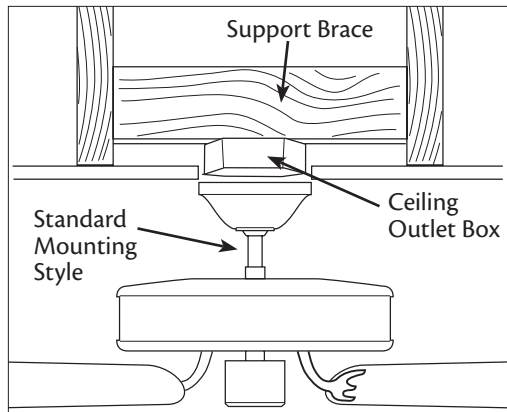
Step 5 - Prepare the Wiring

- 5-1. Make sure the circuit breakers to the fan supply line leads and associated wall switch location are turned off. If you cannot lock the circuit breakers in the off position, securely fasten a prominent warning device, such as a tag, to the service panel.
- 5-2. Thread the fan supply line through the outlet box so that the fan supply line extends at least 6" beyond the box.
- 5-3. Attach the fan supply line to the outlet box with an approved connector, available at any hardware store or electrical supply house.
- 5-4. Make certain the wiring meets all national and local standards and ANSI/NFPA 70. You have now successfully prepared your ceiling fan site. For instructions to install your ceiling fan, go to your fan manual and continue with Section 2 • **Installing the Ceiling Plate.**

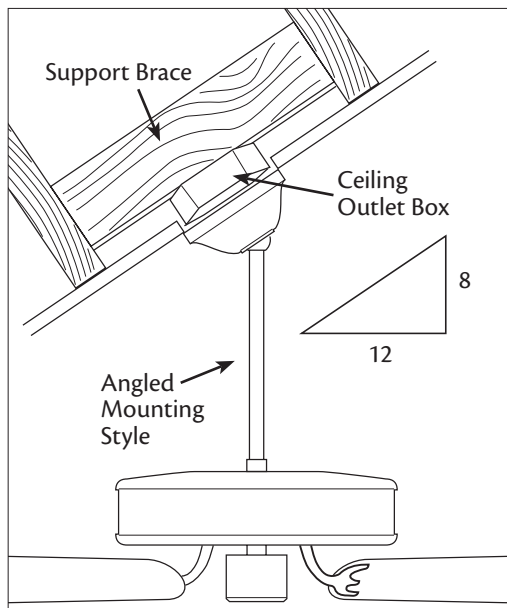


▲ CAUTION: All wiring must be in accordance with national and local electrical codes and ANSI/NFPA 70. If you are unfamiliar with wiring, use a qualified electrician.

Installer's Choice and Optional Accessories



Standard Mounting hangs from the ceiling by a downrod (included).



Angled Mounting recommended for a vaulted or angled ceiling

Understanding Mounting and Installer's Choice®

Hunter's patented 2-position mounting system provides you maximum installation flexibility and ease. You can install your Hunter fan in one of two ways, depending on ceiling height and your preference: Standard or Angled mounting. The steps in this manual include instructions for both Installer's Choice mounting methods.

Considering Optional Accessories

Consider using Hunter's optional accessories, including a wall-mounted or remote speed control. To install and use the accessories, follow the instructions included with each product. For quiet and optimum performance of your Hunter fan, use only Hunter speed controls.

For ceilings higher than 8 feet, you can purchase Hunter extension downrods. All Hunter fans use sturdy 3/4" diameter pipe to assure stability and wobble-free performance.

⚠ CAUTION: To reduce the risk of personal injury, attach the fan directly to the support structure of the building according to these instructions, and use only the hardware supplied.

1 • Getting Ready

To install a ceiling fan, be sure you can do the following:

- Locate the ceiling joist or other suitable support in ceiling.
- Drill holes for and install wood screws.
- Identify and connect electrical wires.
- Lift 40 pounds.

If you need help installing the fan, your Hunter fan dealer can direct you to a licensed installer or electrician.

Gathering the Tools

You will need the following tools for installing the fan:

- Electric drill with 9/64" bit
- Keyhole saw
- 2' x 4' support brace
- UL-approved octagonal 4" x 1-1/2" outlet box
- Two #8 x 1-1/2" wood screws and washers
- Approved connector for electrical wire
- Standard screwdriver (magnetic tip recommended)
- Phillips-head screwdriver (magnetic tip recommended)
- Wrench or pliers
- Ladder (height dependent upon installation site)

Installing Multiple Fans?

If you are installing more than one fan, keep the fan blades and blade irons (if applicable) in sets, as they were shipped.

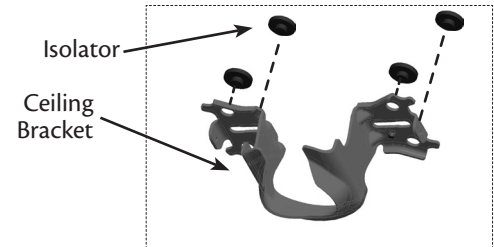
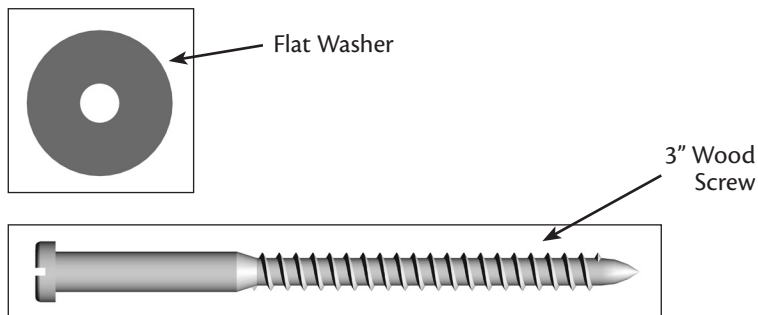
Checking Your Fan Parts

Carefully unpack your fan to avoid damage to the fan parts. Refer to the included Parts Guide. Check for any shipping damage to the motor or fan blades. If any parts are missing or damaged, contact your Hunter dealer or call Hunter Technical Support Department at 888-830-1326 (In Canada, call 866-268-1936).

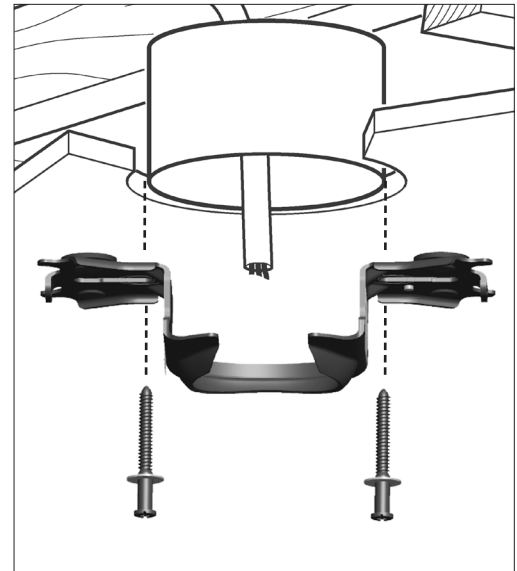
2 • Installing the Ceiling Bracket

▲ CAUTION: To avoid possible electrical shock, before installing your fan, disconnect the power by turning off the circuit breakers to the outlet box and associated wall switch location. If you cannot lock the circuit breakers in the off position, securely fasten a prominent warning device, such as a tag, to the service panel.

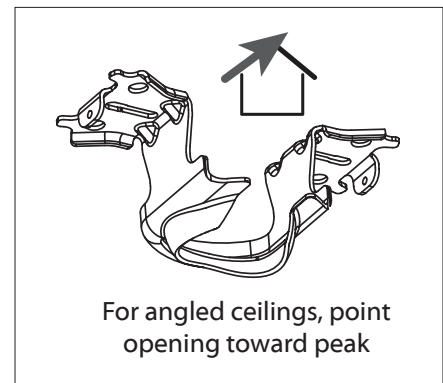
- 2-1. **Note:** The ceiling bracket may be mounted to an existing ceiling-fan-rated outlet box. If the outlet box is not ceiling-fan-rated, Drill two pilot holes into the wood support structure. The pilot holes should be $9/64$ " in diameter and through the outermost holes in the outlet box.
- 2-2. Your fan comes with four neoprene noise isolators. Position the isolators between the ceiling bracket and the ceiling by inserting the raised areas on each isolator into the holes in the ceiling bracket.
- 2-3. Align the slotted holes in the ceiling bracket with the pilot holes you drilled in the wood support structure.
- 2-4. Place a flat washer on each of the two 3" wood screws and pass the screws through the slotted holes in the ceiling bracket into the pilot holes you drilled.
- 2-5. Tighten the screws into the $9/64$ " pilot holes; do not use lubricants on the screws. Do not over tighten. **Note:** The isolators should be flush against the ceiling.



Step 2-2



Steps 2-3 – 2-5



3 • Assembling and Hanging the Fan

⚠ WARNING: Fan may fall if not assembled as directed in these installation instructions.

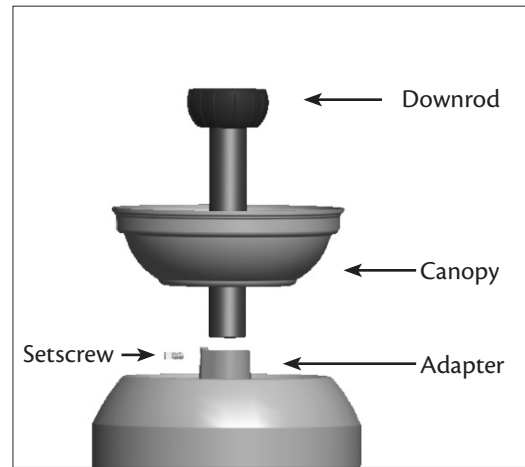
You can assemble your fan for **standard** or **angled** mounting as shown in steps below.

- 3-1. Unbundle the wires from the fan.
- 3-2. Feed the wires from the fan through the downrod.
- Note:** Make sure all the wires are on the same side of the metal dowel pin inside the downrod.
- 3-3. Loosen the square head setscrew on the adapter in order to install the downrod.
- 3-4. Insert the downrod into the adapter. Tighten by turning the downrod assembly at least 4-5 full turns until it stops.

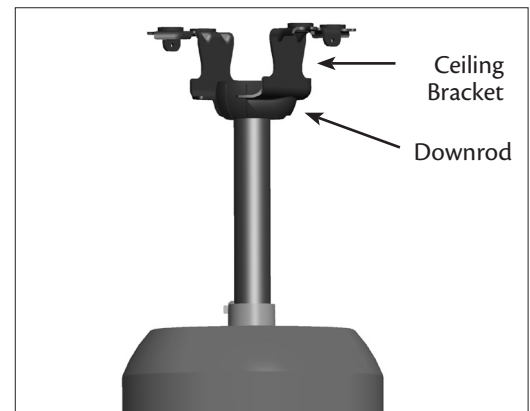
Note: When the downrod assembly is fully installed, 2-3 threads on the pipe will still be visible; this is normal. Securely retighten the setscrew with a wrench or pliers.

⚠ WARNING: If the setscrew is not tightened securely, the fan may fall.

- 3-5. (Optional) - The wires can be cut (shortened), but leave at least 8" extending from the top of the downrod.
- 3-6. Raise the fan and place the downrod ball into the ceiling bracket.



Steps 3-1 – 3-4



Step 3-6

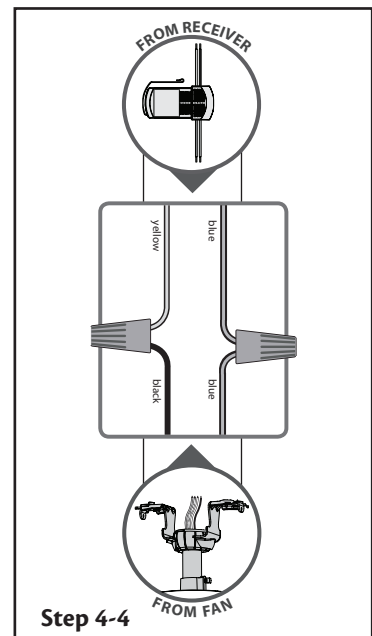
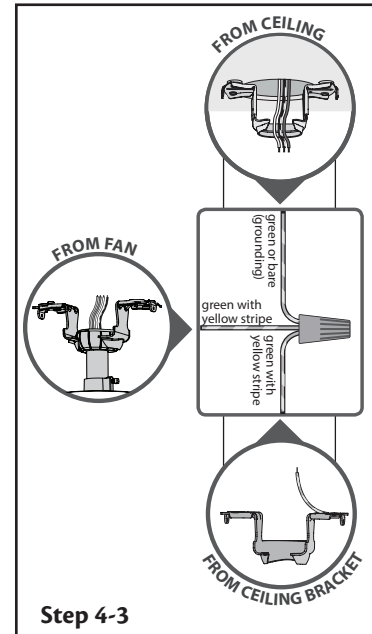
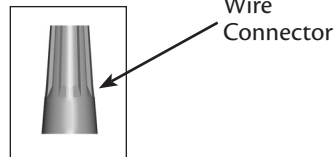
4 • Wiring the Fan

All wiring must be in accordance with national and local electrical codes and ANSI/NFPA 70. If you are unfamiliar with wiring, use a qualified electrician.

- 4-1. Make sure the power is still off at the breaker box.
- 4-2. To connect the wires, hold the bare metal leads together and place a wire connector over them, then twist clockwise until tight. For all wire connections use the wire connector provided.

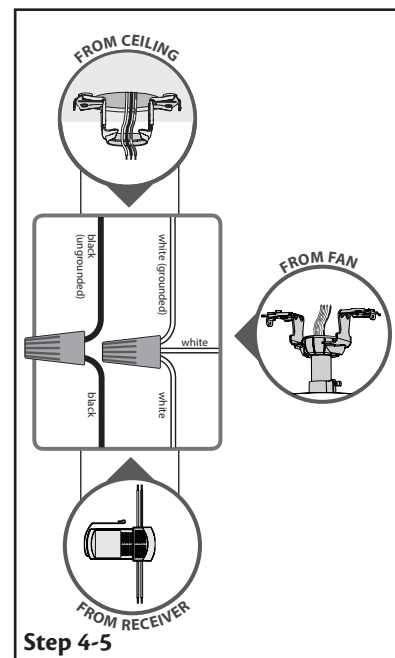
⚠ CAUTION: Be sure no bare wire or wire strands are visible after making connections.

- 4-3. Using an orange wire connector, connect the green or bare wire (grounding) wire from the ceiling to the green with yellow striped wire from the ceiling bracket and the green with yellow striped wire from the downrod.
- 4-4. Using the orange wire connectors, connect the blue wire from the receiver to the blue wire (or possibly black with white stripe wire) from the fan. Connect the yellow wire from the receiver to the black wire from the fan.



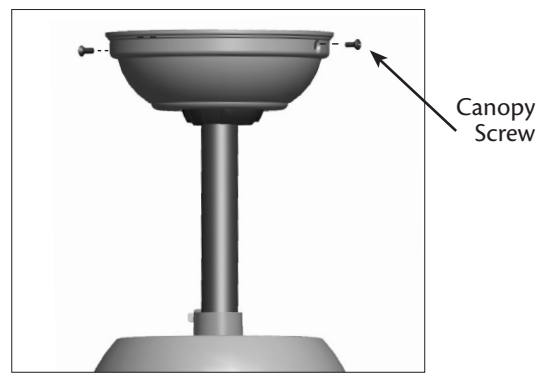
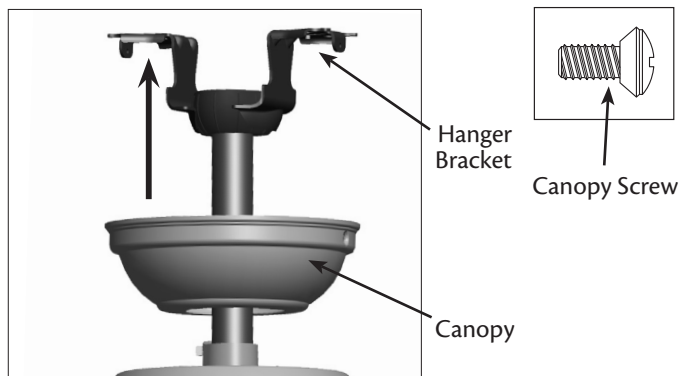
4 • Wiring the Fan (continued)

- 4-5. Using the orange wire connectors, connect the black wire (ungrounded) from the ceiling to the black wire from the receiver. Connect the white wire (grounded) from the ceiling to both the white wire from the receiver and the white wire from the fan.
- 4-6. Check each connection to make sure no bare wire or wire strands are visible. Turn wire connectors upward and push them up into the outlet box. Be sure to separate the grounded wires from the ungrounded wires inside the outlet box.
- 4-7. Position the receiver in the canopy so that the antenna is close to the edge of the ceiling bracket for clear reception.



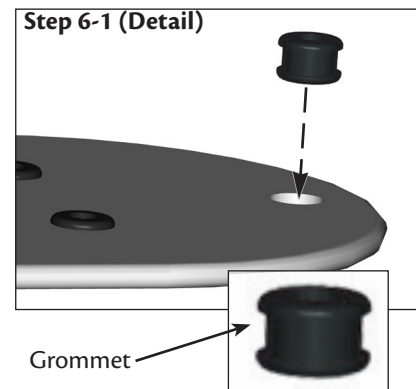
5 • Installing the Canopy

- 5-1. Raise the canopy over the ceiling bracket and align the two holes of the canopy and the ceiling bracket.
- 5-2. Insert and tighten the canopy screws securely.



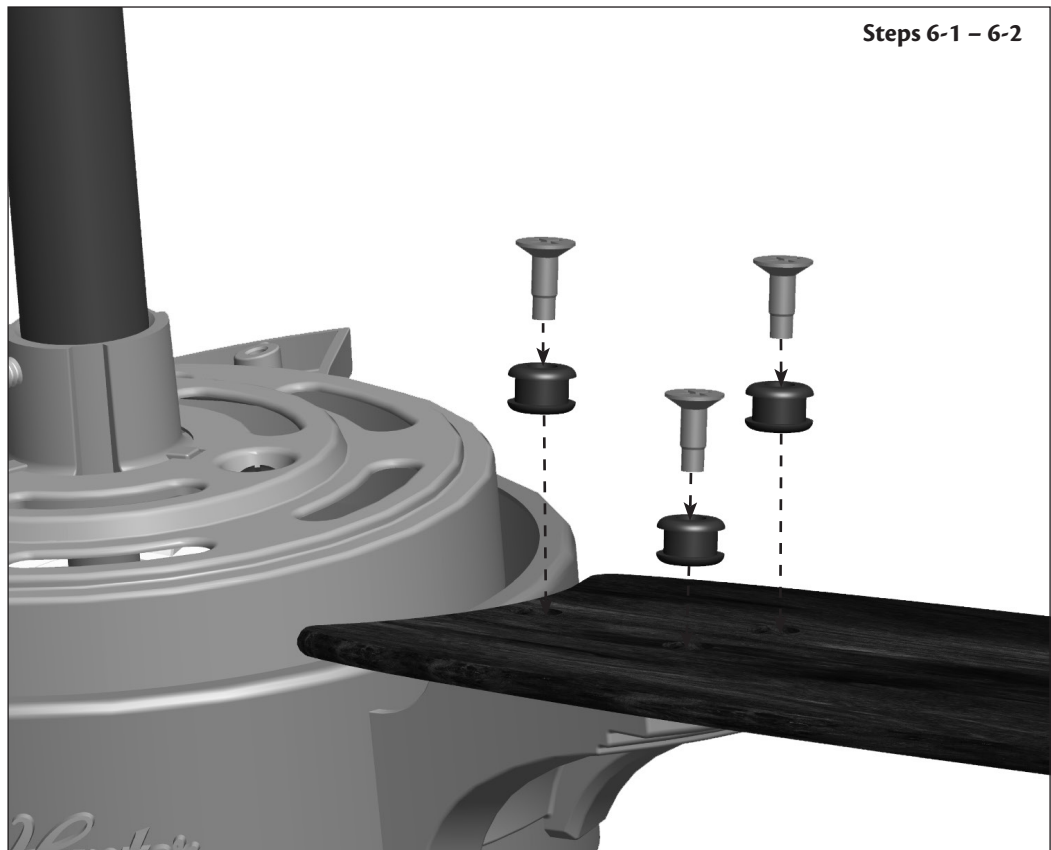
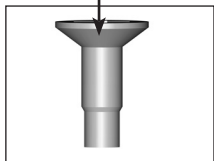
6 • Assembling the Blades

- 6-1. Insert grommets into the holes in the blades.
- 6-2. Install one blade onto a blade iron with three blade assembly screws.
- 6-3. Repeat Steps 6-1 – 6-2 until all three blades are installed.



Steps 6-1 – 6-2

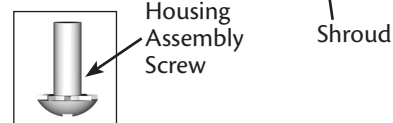
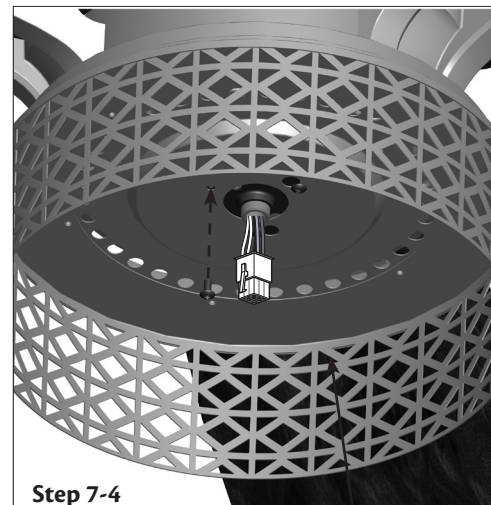
Blade Assembly
Screw



7 • Completing Your Installation With a Bowl Light Fixture

▲ WARNING: Use only the light fixture supplied with this fan model.

- 7-1. Partially install two housing assembly screws into the mounting plate on the bottom of the fan.
- 7-2. Feed the upper plug connector from the motor through the center opening of the shroud.
- 7-3. Slide the partially installed screws through the keyhole slots in the shroud. Turn the shroud counter-clockwise until the screws are nestled in the narrow ends of the keyhole slots.
- 7-4. Install a third housing assembly screw into the remaining screw hole in the shroud. Securely tighten all three screws.
- 7-5. Install six #6-32 machine screws into the outer holes in the shroud.



7 • Completing Your Installation With a Bowl Light Fixture (Continued)

7-6. Connect the upper plug connector from the fan to the lower plug connector in the light fixture.

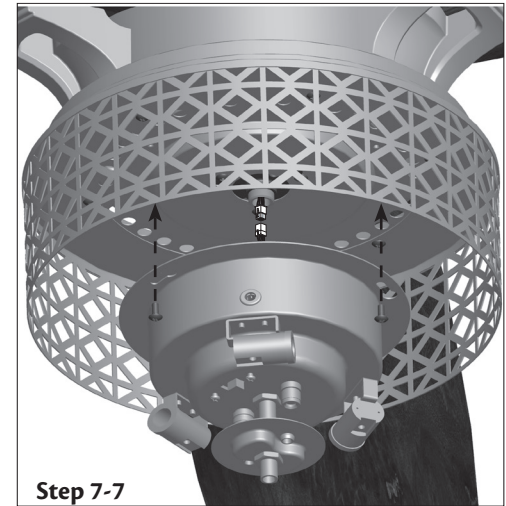
Note: Both plug connectors are polarized and will only fit together one way. Make sure the connectors are properly aligned before connecting them. Incorrect connection could cause improper operation and damage to the product.

7-7. Partially install two housing assembly screws into the shroud.

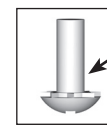
7-8. Slide the keyhole slots in the light fixture into the partially installed screws. Turn the light kit counter-clockwise until the screws are nestled in the narrow ends of the keyhole slots.

7-9. Install a third housing assembly screw into the remaining screw hole in the light fixture. Securely tighten all three screws.

CAUTION: Make sure the shroud is securely attached to the switch housing mounting plate. Failure to properly attach and tighten all three assembly screws could result in the switch housing and light fixture falling.



Step 7-7

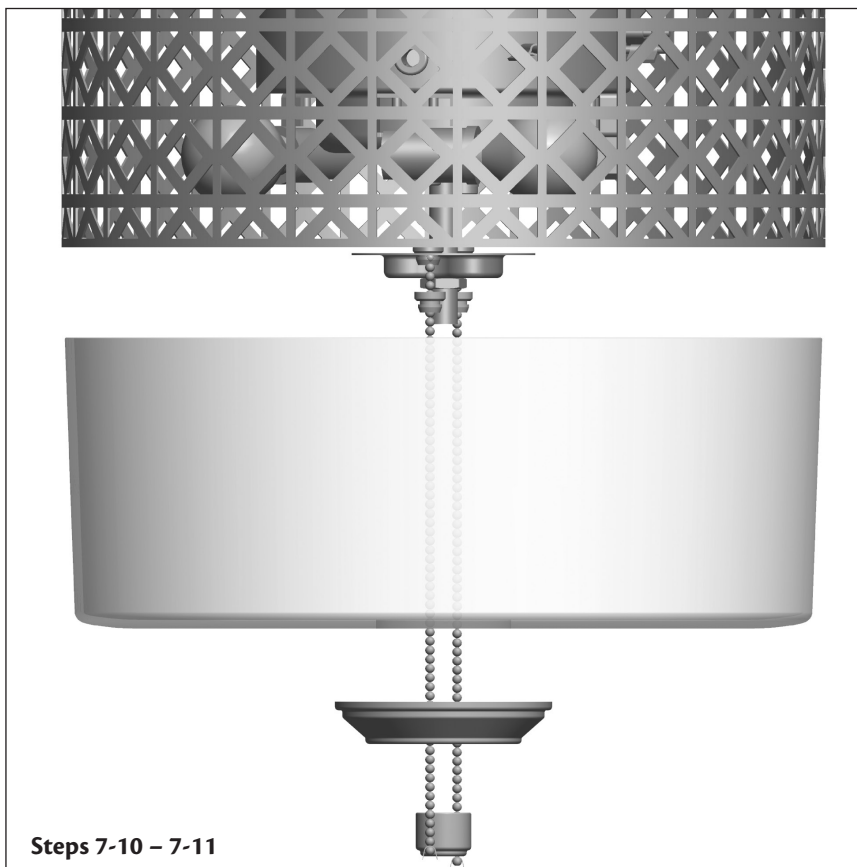
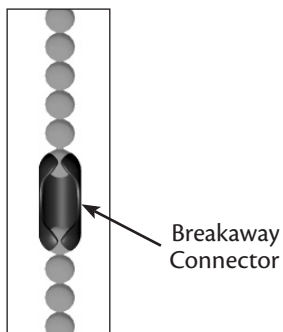
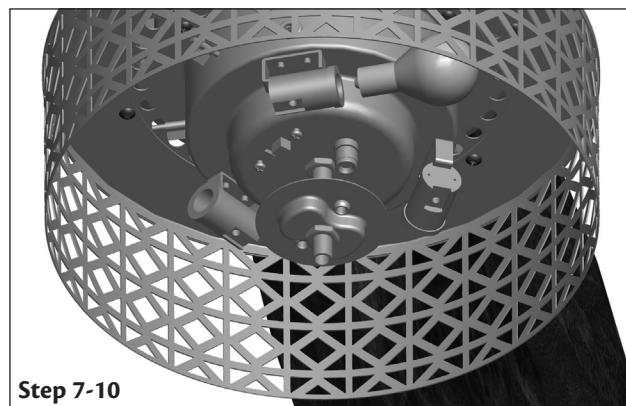


Housing
Assembly
Screw

Note: In compliance with US federal energy regulations, this ceiling fan contains a device that restricts its light output. Exceeding the wattage limit marked on the MAX wattage sticker affixed to the light socket(s) may result in fire hazard or improper operation.

7 • Completing Your Installation With a Bowl Light Fixture (Continued)

- 7-10. Install the included bulbs (40 W max).
- 7-11. Hold the glass bowl so it fits in the shroud.
- 7-12. Hold the cover plate up to the bottom of the glass bowl and secure them both by screwing the finial into the threaded rod on the bottom of the light fixture.
- 7-13. Attach the extra pull chains with pendants (included) to the light and fan pull chains using the breakaway connector. (You may find the breakaway connector on the end of the extra chains.)



8 • Operating the Remote Control and Mounting the Holder

- 8-1. Turn on electrical power to the fan.
- 8-2. To install or replace the battery, remove the door from the back of the transmitter. Insert the battery into the compartment, observing proper polarity placement.
- Note:** The remote must be paired before the fan will operate.
- 8-3. **Within 3 minutes** of restoring power to the fan, press both the Fan Off button and the High button for at least 4 seconds. Your fan will turn on low to indicate successful syncing. If it does not, turn off power to your fan, wait 1 minute then try again. If using the transmitter with multiple fans, repeat this process for each fan.

- 8-4 The remote has individual buttons for setting the fan speed and light. Refer to the figure on the right.

Note: For best operation, start the fan by pressing high, then select your desired speed.

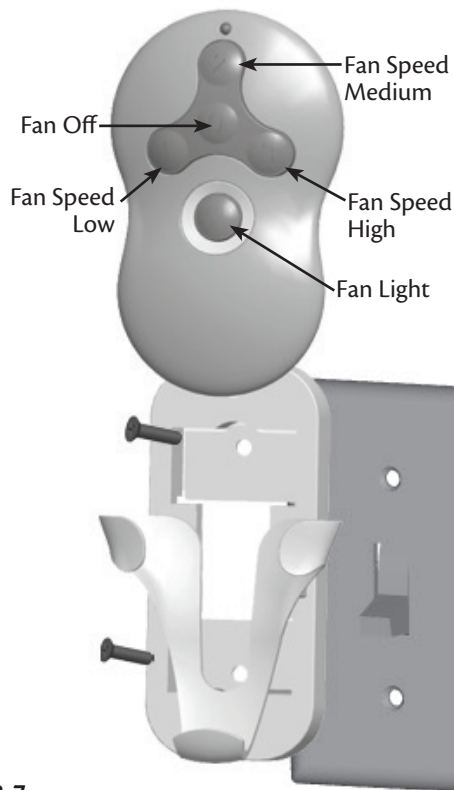
- 8-5. The light button turns the light. Push the light button again to turn off the light.
- 8-6. When necessary, replace the battery with a 12 V alkaline battery.
- 8-7. You can mount the remote holder to any toggle switch plate with the screws already in the switch plate. Or, you can simply mount the remote holder on the wall.

Attention: Use the pull chain switch to set the fan speed to the position BEFORE installation. Do not use pull chain switch to change the fan speed after installation, as damage to your fan or remote may result. The speed of the fan should only be changed by the Hunter control. Set the ceiling fan light kit to the ON position before installation. The light level should only be changed by the Hunter control.

The Safe-Exit Program gives you about 30 seconds of light when you turn the lights off to exit the room before the lights go out. To use Safe-Exit:

- Press the Fan Off button for at least three seconds to initiate the Safe-Exit Mode.
- The lights will flash for visual confirmation.
- The lights will stay on 50% brightness for 15 seconds and then begin to dim. After a total of 30 seconds, the lights will be completely off.

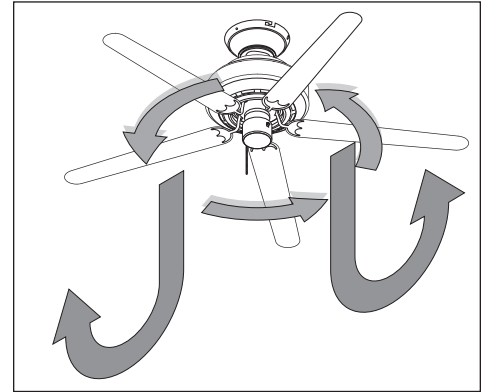
Note: For CFL lighting, the lights will stay on 100% brightness for 30 seconds. After a total of 30 seconds, the lights will be completely off.



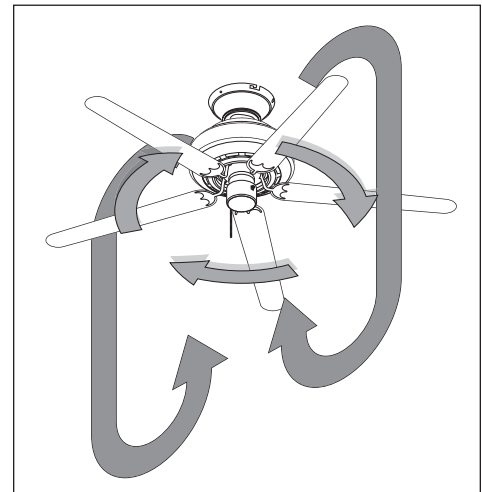
Step 8-7

9 • Operating and Cleaning Your Ceiling Fan

- 9-1. The remote controls power to the fan. The fan has four settings in sequence: High, Medium, Low and Off.
- 9-2. Ceiling fans work best by blowing air downward (counterclockwise blade rotation) in warm weather to cool the room with a direct breeze. In winter, having the fan draw air upward (clockwise blade rotation) will distribute the warmer air trapped at the ceiling around the room without causing a draft.
- 9-3. For cleaning finishes, use a soft brush or lint-free cloth to prevent scratching. A vacuum cleaner brush nozzle can remove heavier dust. Remove surface smudges or accumulated dirt and dust using a mild detergent and a slightly dampened cloth. You may use an artistic agent, but never abrasive cleaning agents as they will damage the finish.
- 9-4. Clean wood finish blades with a furniture polishing cloth. Occasionally, apply a light coat of furniture polish for added protection and beauty. Clean painted and high-gloss blades in the same manner as the fan finish.



In warm weather, use downward air flow pattern

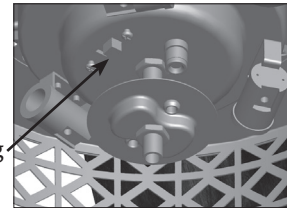


In cold weather, use upward air flow pattern

To Change Airflow Direction

Turn the fan off and let it come to a complete stop. Unscrew the cap at the bottom of the glass globe and remove the cap, finial, and glass shade. Slide the reversing switch on the fan to the opposite position. After reinstalling glass, finial, and cap, restart fan.

Reversing
Switch



10 • Troubleshooting

Problem: Nothing happens; fan does not move

1. Turn power on, replace fuse, or reset breaker.
2. Loosen canopy, check all connections according to the wiring the fan section.
3. Check the plug connection in the switch housing.
4. Push motor reversing switch firmly left or right to ensure that the switch is engaged.
5. Pull the pull chain to ensure it is on.
6. Remove the shipping bumpers.

Problem: Noisy operation

1. Tighten the blade assembly screws and blade iron armature screws until snug.
2. Check to see if the blade is cracked. If so, replace all the blades.

Problem: Excessive wobbling

1. Make sure the blades are securely attached to the blade irons according to the blade assembly instructions provided.
2. After thoroughly verifying the blades are securely attached to the blade irons, follow the instructions in the enclosed balancing kit to balance the fan.
3. Turn power off, support fan very carefully, and check that the hanger ball is properly seated.

Problem: Lights shut off suddenly, but fan is still operating

1. Check to make sure the wattage and type of the light bulbs that are installed meet the specifications on the light socket.
2. Turn the power to the fan off at the wall switch. Wait 5 minutes, then resume power to the fan.

Problem: CFL bulbs flicker when controlled by a dimming remote or wall control

1. CFL light bulbs are not usually made for dimming. Replace the CFL bulbs with dimmable light bulbs, or install the fan in a location without a dimming control.

If you need parts or service assistance, please call 888-830-1326 (In Canada, call 866-268-1936) or visit us at our website at <http://www.HunterFan.com>.

Hunter Fan Company
7130 Goodlett Farms Parkway #400
Memphis, Tennessee 38016

Free Manuals Download Website

<http://myh66.com>

<http://usermanuals.us>

<http://www.somanuals.com>

<http://www.4manuals.cc>

<http://www.manual-lib.com>

<http://www.404manual.com>

<http://www.luxmanual.com>

<http://aubethermostatmanual.com>

Golf course search by state

<http://golfingnear.com>

Email search by domain

<http://emailbydomain.com>

Auto manuals search

<http://auto.somanuals.com>

TV manuals search

<http://tv.somanuals.com>