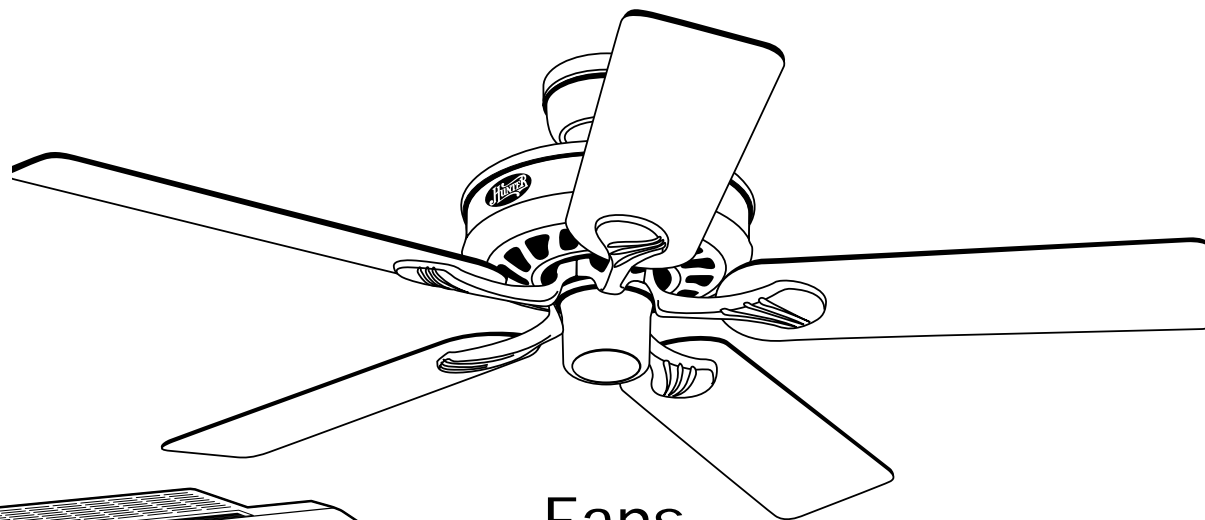
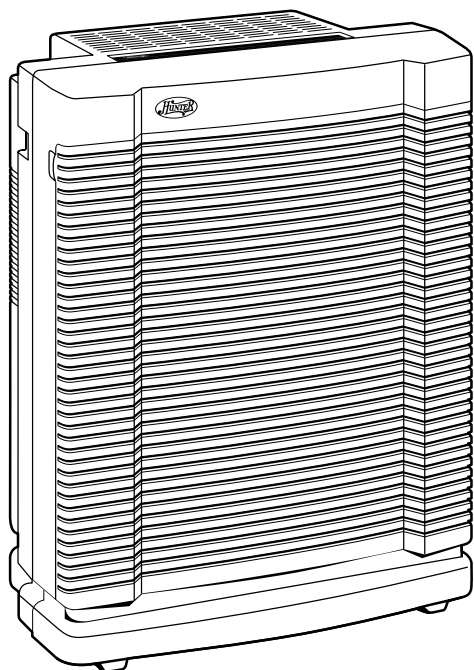




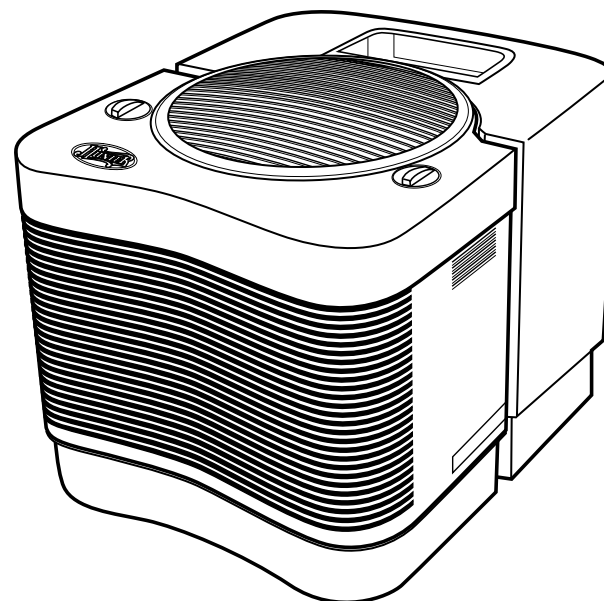
# Other Quality Products from Hunter



Fans



Air Purifiers



Humidifiers

We are pleased you have selected one of our broad line of home comfort products. Our products are manufactured to high quality standards and are designed for years of service.

We hope you will be satisfied and thank you for buying a Hunter product.

## Table Of Contents

<b>Installation</b>	Features	6
	Remove Old Thermostat	8
	Labeling Wires	10
	Connecting Wires and Mounting Thermostat	14
	System Selector Switches	14
<b>Operation</b>	Start-Up	16
	Reviewing Current Temperature Setting	16
	Setting New Temperature	17
	Filter Monitor	18
	Resetting Filter Counter To Zero	19
	Temperature Span	19
	Backlighting	19
	Trouble Shooting	20
	Typical Wiring Diagrams	22

# Read This Before Installing Thermostat

---

## IMPORTANT

**1** Read the entire installation section of this Owner's Manual thoroughly before you begin to install or operate your Hunter Thermostat.

- Remove the mylar label from the display window.

## INSTALLATION

**2** All installation is normally performed at your thermostat.

## PROGRAMMING

**3** You can practice programming before installing your thermostat by inserting and connecting the batteries and following the instructions on page 14. This can be done while you relax in your favorite chair and is a very good way to familiarize yourself with all the functions of your Hunter Thermostat.

## OPERATION

**4** Your Hunter Thermostat is designed to operate with most gas, oil, electric or 2-wire hot water heating, and air conditioning systems that have 24-volt or millivolt control.

This Hunter Thermostat will not control multi-stage heating or cooling systems, 110/220 V systems, or 3 wire zone systems.

## COMPRESSOR PROTECTION

**5** The thermostat provides a 4-minute delay after shutting off the compressor before it can be restarted. This feature will prevent damage to your air conditioner compressor caused by rapid cycling. It does not provide a delay when there are power outages.

## TEMPERATURE RANGE

**6** Your thermostat can be programmed between 40°F and 95°F (5°C and 35°C). However, it will display room temperatures from 32°F to 99°F (0°C to 37°C).

## POWER FAILURE

**7** Whenever the main power is interrupted or fails, the battery power retains the programs and current time.

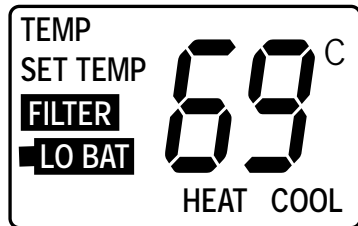
## BATTERY WARNING

**8** When the batteries are low the "LOW BATT" indicator on the display will flash. When this happens, install new batteries immediately. Once the "LOW BATT" indicator appears, the thermostat will continue to operate for approximately 30 days. (Only alkaline batteries should be used in your thermostat. Rechargeable batteries have different properties which may cause the thermostat to not operate properly. Do not use old batteries.) The batteries should last one year.

**CAUTION:** *The batteries are the only source of power used to operate your system. If you do not replace the batteries, the display will dim and your heating and cooling system will stop operation.*

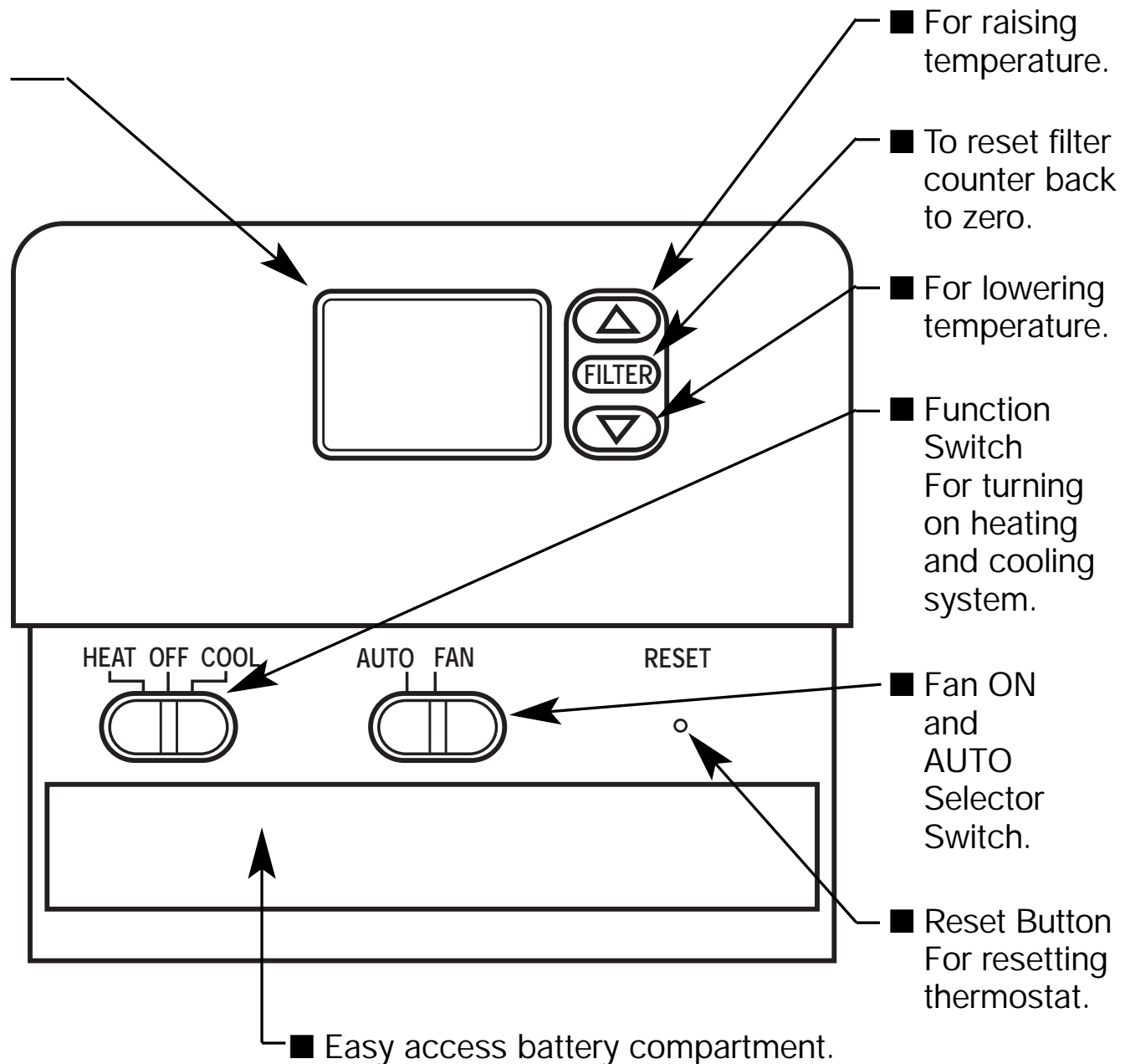
**NOTE:** *If you plan to be away from the premises over 30 days, we recommend that you replace the old batteries with new alkaline batteries prior to leaving.*

# Features (Model 42999)

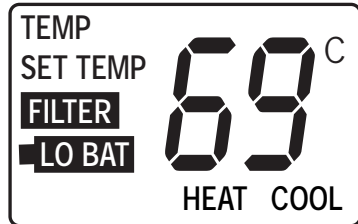


■ Easy-To-Read Digital Display  
Liquid crystal display shows room temperature, set temperature, filter indicator, low battery indicator, heat and cool system indicator.

■ Unique Filter Monitor  
Automatically reminds you to clean or replace your heating and air conditioning filters.

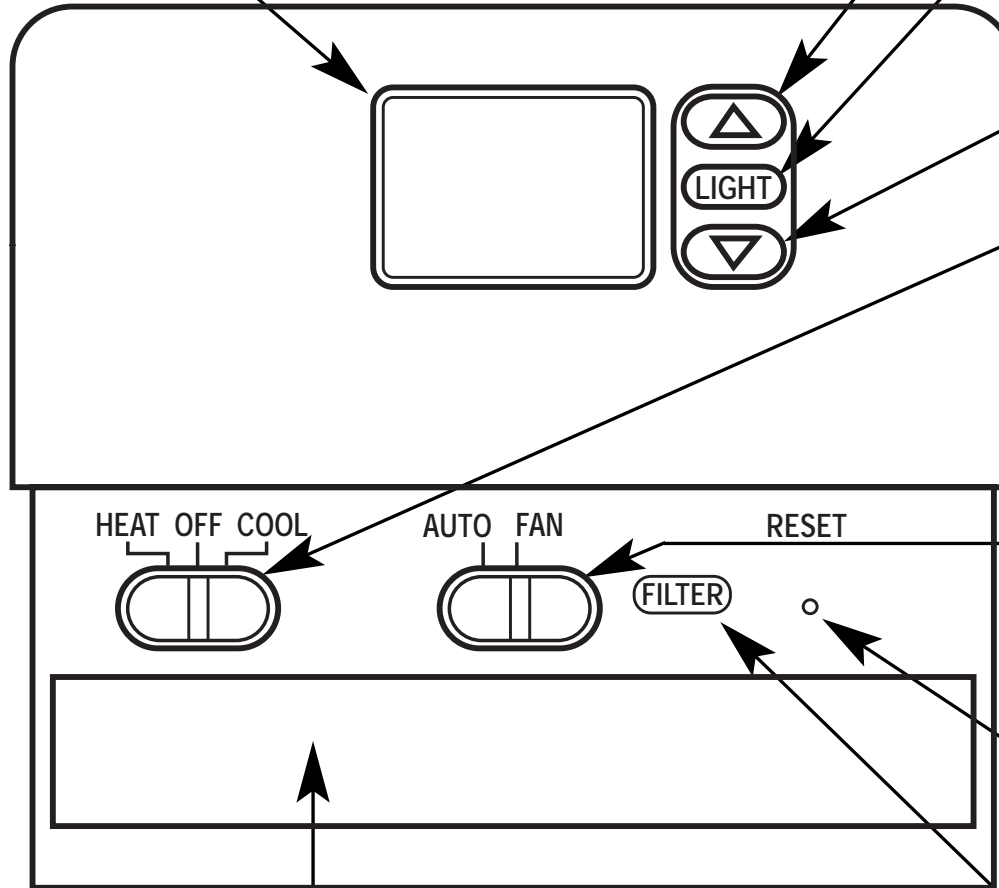


# Features (Model 44050)



■ Easy-To-Read Digital Display  
Liquid crystal display shows room temperature, set temperature, filter indicator, low battery indicator, heat and cool system indicator.

■ Unique Filter Monitor  
Automatically reminds you to clean or replace your heating and air conditioning filters.



■ For raising temperature.

■ Display backlight for viewing in the dark.

■ For lowering temperature.

■ Function Switch  
For turning on heating and cooling system.

■ Fan ON and AUTO Selector Switch.

■ Reset Button  
For resetting thermostat.

■ To reset filter counter back to zero.

■ Easy access battery compartment.

## What You Need

This thermostat comes with two #8 slotted screws and two wall anchors for mounting. To install your unit, you should have the following tools and materials.

- Slotted screwdriver
- Electric drill and 3/16" bit
- Hammer
- Two 1.5V (AA) Size Alkaline batteries

## Remove Old Thermostat

**CAUTION: Do not remove any wiring from existing thermostat before reading the instructions carefully. Wires must be labeled prior to removal.**

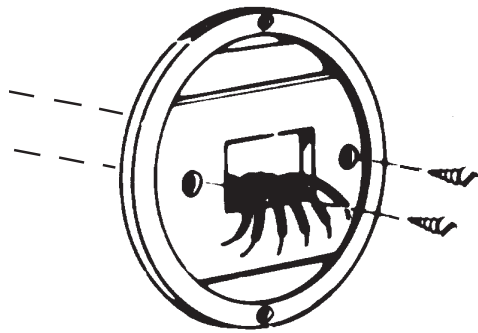
- **IMPORTANT!** Turn off the power to the furnace at the main power panel or at the furnace.
- Remove existing thermostat cover and thermostat. See Figure 1. Some thermostats will have screws or other locking devices that must first be removed. Once wall mounting plate is exposed, look for wires.

If wires are not visible, they may be connected to the back of the wallplate. Again, look for screws, tabs, etc. Some models have doors that open to expose wires and mounting screws. (See Figure 1).

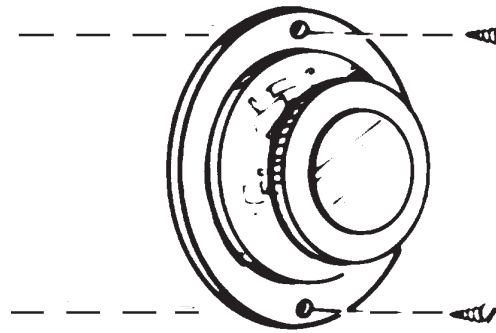


# TYPICAL HOME THERMOSTATS

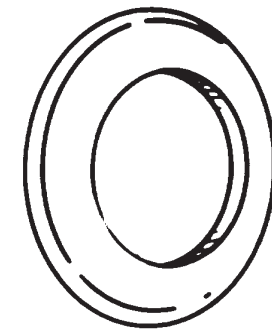
## FIGURE 1



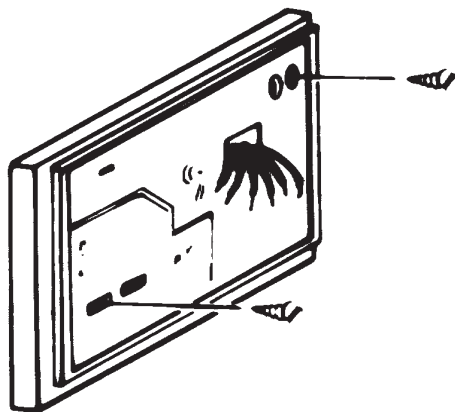
Wall Mounting Plate



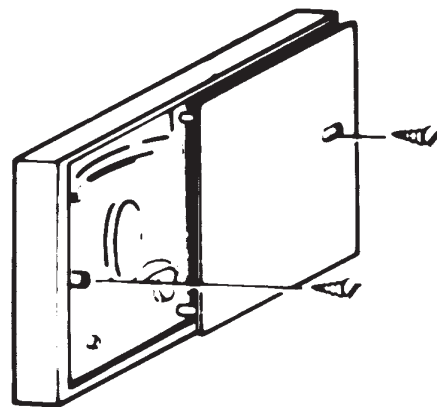
Thermostat



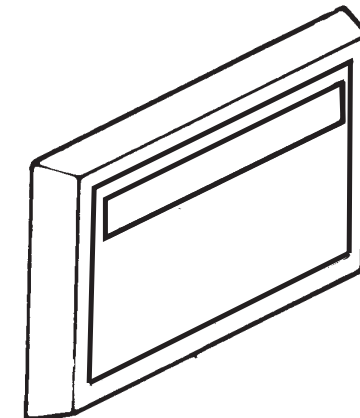
Cover



Wall Mounting Plate



Thermostat



Cover

## Label Wires

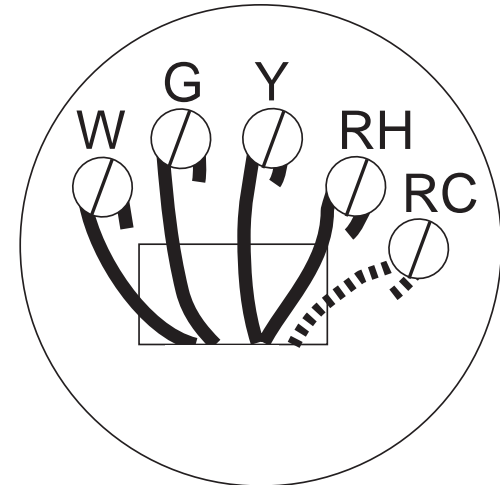
- Each wire coming from the wall to the existing thermostat is connected to a terminal point on that thermostat. Each of these terminal points is usually marked with a code letter as shown in Table A on page 9.

The number of wires in your system can be as few as two (for heat only systems), as many as eight, or any number in between. If you follow the labeling procedures correctly, you do not have to be concerned about how many wires there are.

There is often no terminal marking on the existing thermostat of two wire, heat only systems. Do not worry, just connect either of the wires to the RH terminal, then connect the other wire to the W terminal to complete the circuit.

- **IMPORTANT! BEFORE DISCONNECTING ANY WIRES, APPLY THE SELF-ADHESIVE LABELS PROVIDED TO THE WIRE AS SHOWN IN TABLE A ON PAGE 11.** (For example, attach the label marked W to the wire which goes to the W or H terminal on your existing thermostat.) **IGNORE THE COLOR OF THE WIRES** since these do not always comply with the standard.

- After labeling wires, disconnect them from the existing thermostat terminals.
- Remove existing wallplate. To make sure wires do not fall back into wall opening, you may want to tape them to the wall.
- If hole in wall is larger than necessary for wires, seal this hole so that no hot or cold air can enter the back of the thermostat from the wall. This air could cause a false thermostat reading.



# Wire Labeling

This table will help you match the labels to the wires so you can attach them to your Hunter Thermostat.

**NOTE:** Follow the labels when connecting wires since many installations do not follow color coding of wires.

If the code letter on your existing thermostat is      then mark wire with label shown      and connect to thermostat Terminal shown



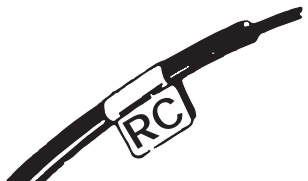



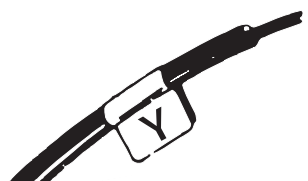



RH, R, VR or 4 24 Volt			RED
RC, VC 24 Volt Cool			BLUE
G or F Fan			GREEN
Y, C or M (See Note) Air Conditioning			YELLOW
W or H Heating			WHITE

TABLE A

## Wire Labeling (Continued)

---

**NOTE:** *If your thermostat has one wire marked R or RH (4-wire system), then leave the jumper wire between the RH and RC terminals. Otherwise, if you have separate RH and RC wires (5-wire system), then remove the jumper wire between the RH and RC terminals.*

**NOTE:** *Do not connect a "Common" wire (sometimes labelled "C") to any terminal on this thermostat. Tape up the wire and do not use.*

## Mount Wallplate and Thermostat

Snap open the wallplate from your thermostat by pressing the release tab on the bottom of the thermostat.

Position wallplate on wall and pull existing wires through large opening. Then level for appearance. Mark holes for plastic anchors provided if existing holes do not line up with Hunter Thermostat holes.

Drill holes with 3/16" bit and gently tap anchors into the holes until flush with wall.

Reposition wallplate to wall, pulling wires through large opening. Insert mounting screws provided into wall anchor and tighten. (See Figure 2.)

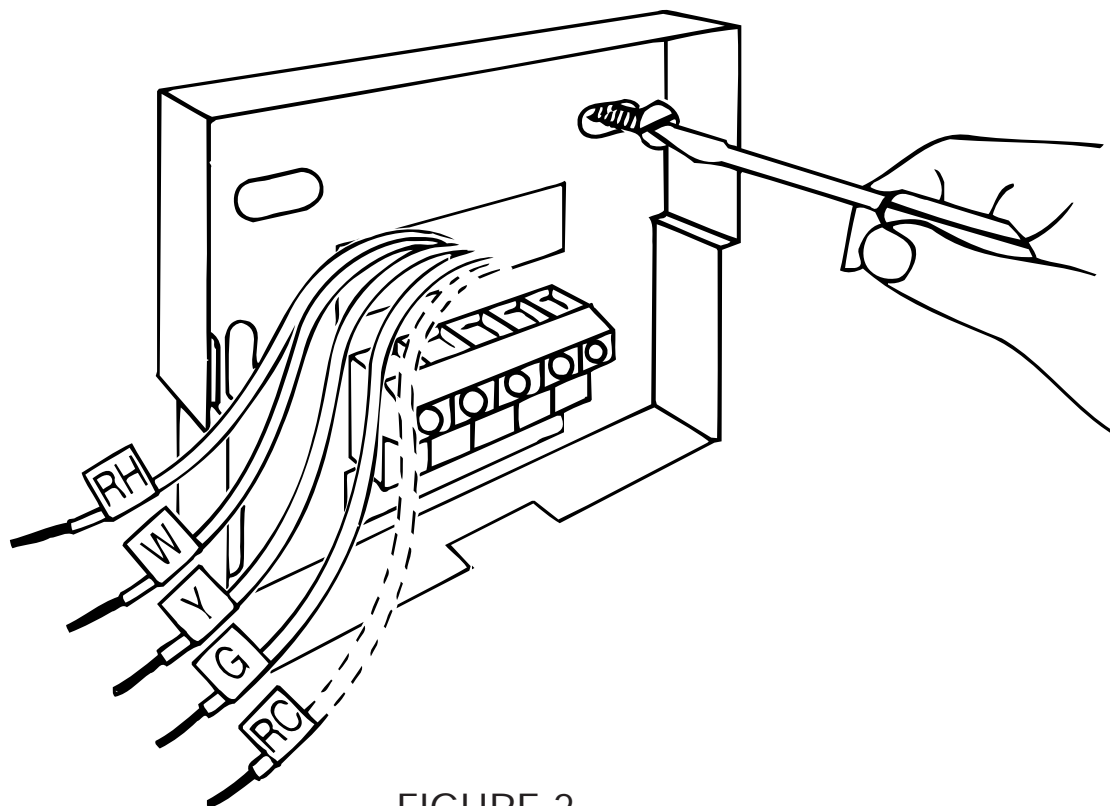


FIGURE 2

## Selector Switches

The heating system selector and the F°/C° selector switches are located on the Printed Circuit Board.

### ■ Heating system selector

The heating system selector is a switch on the Printed Circuit Board on the inside of the thermostat. The switch is at "HG" position. Leave it in this position if you have a gas furnace or an oil burner.

If you have an electric furnace, test to see whether the heat and fan come on as expected. Leave the switch in the "HG" position. If the fan does not come on when the thermostat calls for heat, change the switch position to "HE."

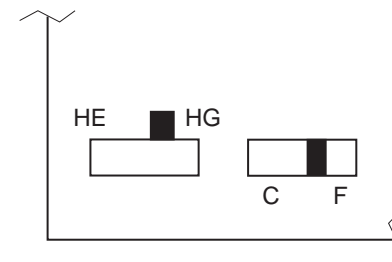
The system selector has no effect in the cooling mode.

**NOTE: "HG" position is for gas and most other systems. "HE" position is for certain electric systems having a fan relay.**

### ■ F°/C° selector (Fahrenheit/Centigrade)

Your thermostat is set for F° mode from the factory. In order to change to C° mode, slide the switch to C° and press reset button on the front of the thermostat with a paper clip. The reset button is located near the display.

**NOTE: Unless reset button is pressed, the thermostat will not change the mode.**



## Connect Wires and Mount Thermostat Cover to Wall Plate

■ Match and connect the labeled wires to the appropriate coded terminal screws on the mounting plate. (See Figure 3, 4.) Ignore any wires which may be present, but which were not connected to the old thermostat.

- Be sure to tighten the terminal screws securely, otherwise a loose wire could cause operational problems with your system or thermostat.
- Push excess wire back into hole to prevent interference with mounting of the thermostat cover.
- Make sure the Function Switch is set at OFF, and the FAN-AUTO Switch is in AUTO.
- Insert the bottom tab on the thermostat body into the slot at the bottom of the wallplate. Press top of the thermostat body to snap it into the wallplate. **(NOTE: Do not force the thermostat onto the wallplate, as the terminal pins may be damaged. If it does not snap properly, the thermostat may not work.)**
- Insert the two AA size batteries, observing the polarity marked on the unit.
- Switch on the main power. Press the reset button. (See Figure 5.)
- The LCD display indicates the current room temperature of your house. If it shows random numbers or partial digits, press the reset button once again.
- The installation is now complete. Continue reading Owner's Manual for complete operating instructions.



FIGURE 3

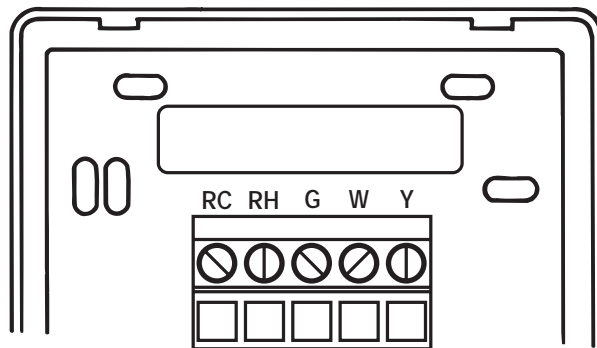


FIGURE 4

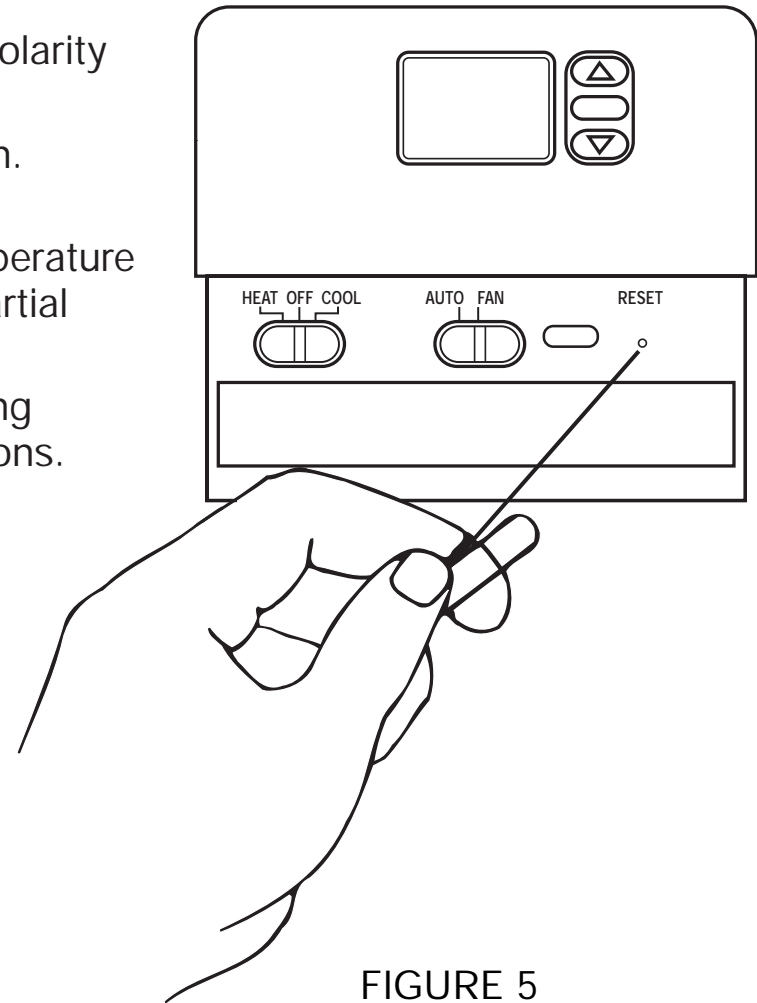


FIGURE 5

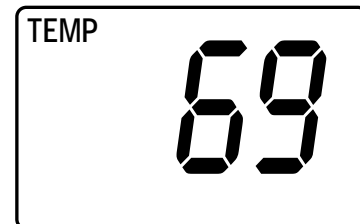
## Start-Up

When you first install two AA size batteries, as directed in the installation instructions, press the Reset Button.

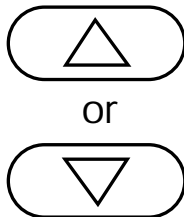
- The thermostat is preset at the factory to 68°F (20°C) for heat and 78°F (25°C) for cool.
- Room temperature is displayed.
- Your thermostat batteries will prevent memory loss and avoid reprogramming. Replace batteries as soon as low battery indicator comes on the display.
- A built-in timer prevents damage to your air conditioner compressor, caused by rapid cycling, by providing a delay of 4 minutes before it will restart.
- The thermostat will display room temperature from 32°F to 99°F. (0°C to 37°C).
- The temperature can be set from 40°F to 95°F. (5°C to 35°C).

## Reviewing Current Temperature Setting

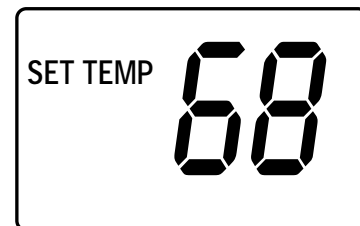
- 69° is current room temperature.



Press For 2  
Seconds Or  
Less



- 68° indicates the current setting of the thermostat.
- If pressed for more than 2 seconds, you will adjust the setting as explained below.





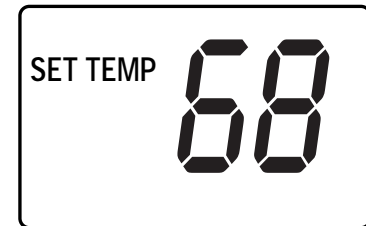
# Setting New Temperature

In this example we are raising the current set temperature of 68°F to a new setting of 72°F.

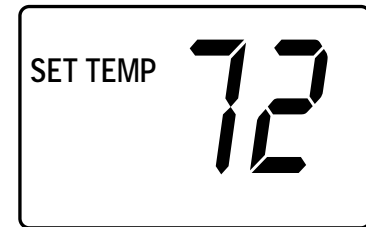
Press  
And  
Hold



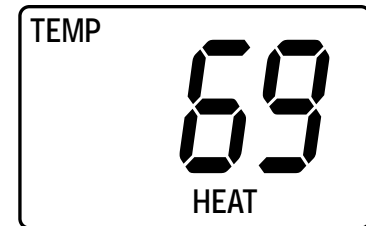
- Press arrow to display current temperature setting. 68°F is the current temperature setting.



- After 3 seconds, "SET" starts flashing and temperature digits will increase.
- Release at 72°F.



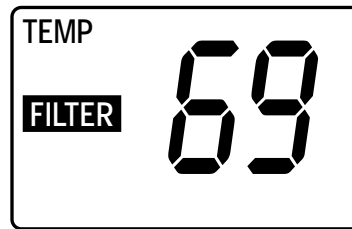
- The display returns to current room temperature in 5 seconds.
- "HEAT" will appear indicating heat has turned on.



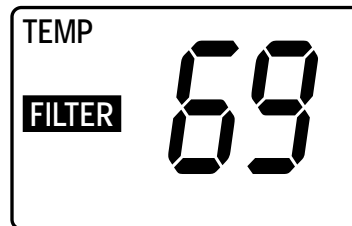
## Filter Monitor

The Hunter Digital Thermostat measures and stores the amount of time the heating or air conditioning system operated.

After 500 hours of usage, the word "FILTER" will appear and flash on the display, reminding you to check or replace your system filter.



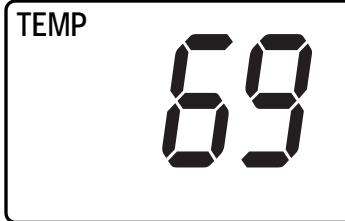
The word "FILTER" will continue flashing until the filter counter is reset back to zero.



## To Reset Filter Counter To Zero

Press

**FILTER**



- After 5 seconds, when the filter counter is reset, the "FILTER" disappears from the display.

**Note:** Filter button works only when "FILTER" is displayed on the display. If Filter button is pressed when "FILTER" is not displayed, the internal counter will not reset.

## Temperature Span

Your thermostat is pre-programmed at the factory to cycle when the temperature rises

1° above or 1° below the temperature setting. It cannot be changed.

## Backlighting (Model 44050 only)

Press

**LIGHT**

Your thermostat comes with an electroluminescent lamp for easy viewing of the display in the dark. To activate press the "light" button between the up and down arrow keys.

The display will remain backlit for approximately five (5) seconds. If another button is pushed, the five second timer will reset, and the light will turn off five seconds after the last button is pressed.

## **Problem**

---

## **Solution**

---

**SCRAMBLED OR DOUBLE DISPLAY**  
(numbers over numbers)

---

1. Remove clear mylar sticker.

**NO DISPLAY**

---

1. Check battery connections and batteries.
2. Press reset button once with a small pin and hold in for two seconds.

**ENTIRE DISPLAY DIMS**

---

1. Replace batteries.

**AUTO/FAN DOES NOT COME ON**

---

1. Move HG/HE system selector to opposite position.

**HEATING OR COOLING DOES NOT GO ON OR OFF**

---

1. Check that function switch is in correct position ("HEAT" or "COOL").
  2. There may be as much as 20 seconds delay before the system turns on - wait and check.
  3. Check your circuit breakers and switches to ensure there is power to the system.
  4. Replace batteries.
  5. Make sure your furnace blower door is closed properly.
  6. If your system only uses 4-wires, be sure the jumper wire is installed between the RC and RH terminals.
-

**ERRATIC DISPLAY**

1. Press the reset button once with a small pin and hold in for two seconds. Then reprogram.
- 

**IF UNIT CONTINUES TO OPERATE IN OFF POSITION**

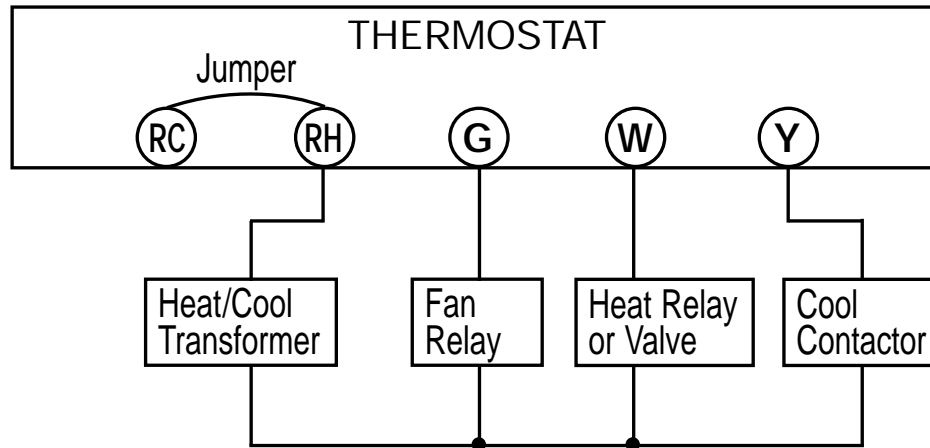
1. Replace unit.
- 

**THERMOSTAT READS , HI, LO PERMANENTLY**

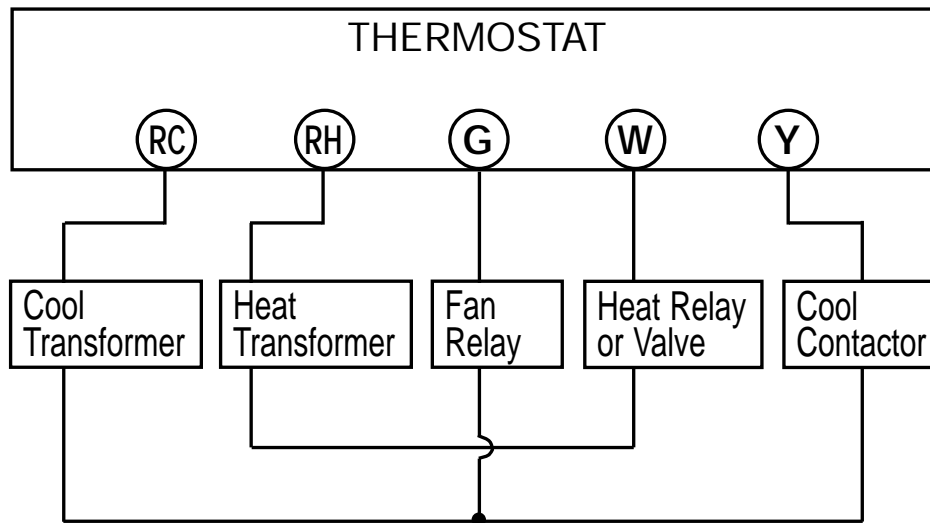
1. Replace unit.
- 

If you experience any other problems, call 1-901-745-9222 from 8AM to 5PM Central Standard time for technical assistance.

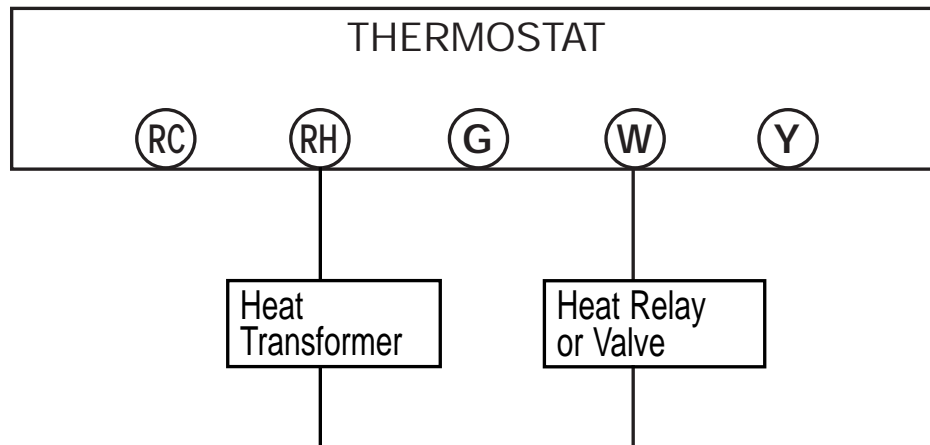
## 4-wire Heat/Cool System



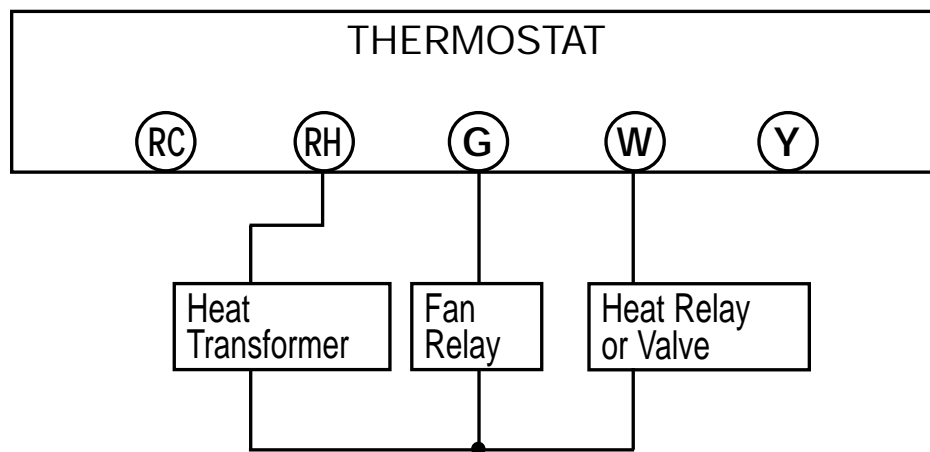
## 5-wire Heat/Cool System



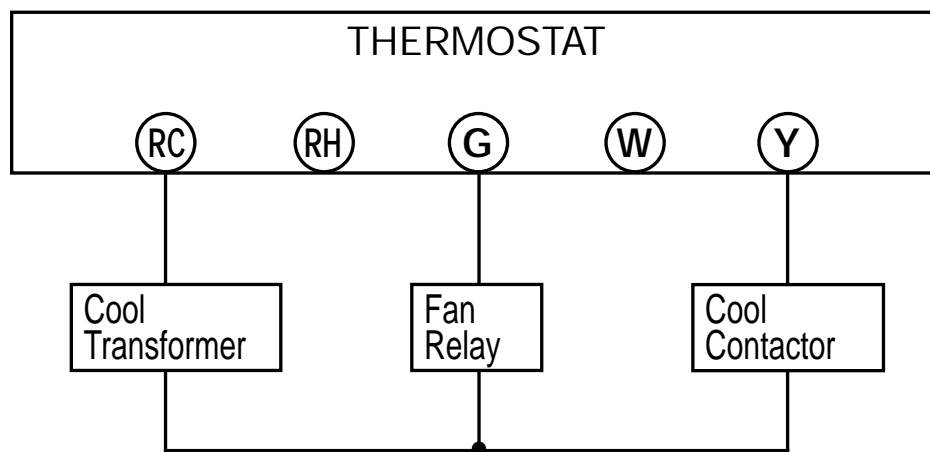
2-wire Heat Only



3-wire Heat Only



3-wire Cool Only



## Free Manuals Download Website

<http://myh66.com>

<http://usermanuals.us>

<http://www.somanuals.com>

<http://www.4manuals.cc>

<http://www.manual-lib.com>

<http://www.404manual.com>

<http://www.luxmanual.com>

<http://aubethermostatmanual.com>

Golf course search by state

<http://golfingnear.com>

Email search by domain

<http://emailbydomain.com>

Auto manuals search

<http://auto.somanuals.com>

TV manuals search

<http://tv.somanuals.com>