

COMBINATION 8X8 and 10X8 FLOOR KIT

This floor kit will build either the 10' wide or 8' wide x 7' 8-5/8" deep floor size

FOR MARCO SERIES, SOLAR SHED AND MWP IMPERIAL ONLY

This floor kit is for 10' x 7' 8-5/8" and 8' x 7' 8-5/8" buildings. Please refer to the appropriate pages of this instruction manual to build the floor size needed. If constructing an 8X8 storage building, you will have additional material which can be used to construct a shelf (some cutting required) or other projects.

- BEFORE YOU BEGIN -

■ First...

Read these instructions thoroughly before you begin assembly. Assembly is easiest if you follow the steps in the order shown.

Lumber is graded from only one side. Check the part for the most attractive face and make sure to face it to the outside.

■ Check all parts

Compare parts you have to the list on page 2. If a part is missing, circle the part in question in the parts list and call us toll-free at 1-800-437-0784.

■ Assistance required

We recommend that you assemble this floor on level ground in the location it will be used. Assistance is necessary to handle, fit, and secure some components. Two people maybe needed for some steps.

■ Squareness is very Important!

Keeping all 90° corners and 90° perpendiculars square throughout the assembly of this floor kit will make each succeeding step easier and is necessary to assure that all components fit together properly.

■ Check local zoning

Before starting construction, check with your local building code official for any required permits, variances, etc.

■ Check floor kit size

Before starting construction on your floor, make sure that you check in the instruction manual to ensure that you are building the correct size floor kit for your building.

Always wear OSHA-APPROVED safety glasses throughout assembly process

■ Tools required

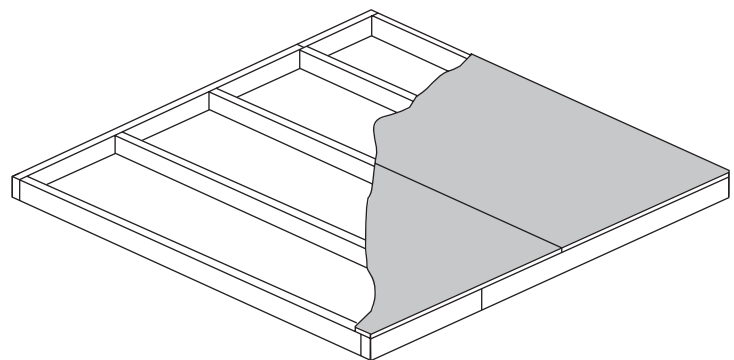
- Hammer
- Level
- Pencil
- Tape Measure

■ Optional tools

- Chalk Line
- Square
- Nail Pouch
- Saw

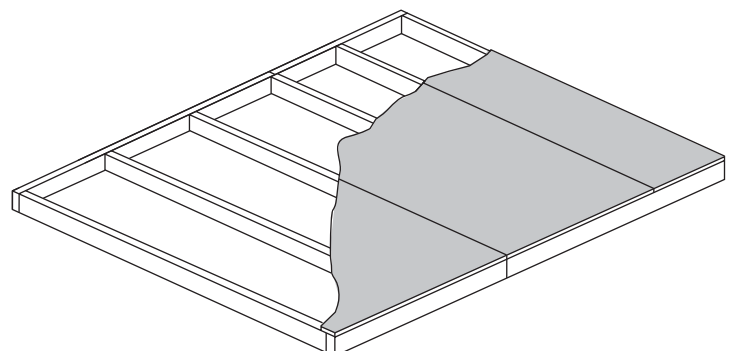
8x8

See pages 2-3-4



10x8

See pages 5-6



#16628

FLOOR KIT INSTRUCTIONS FOR 8X8 BUILDINGS

ACTUAL SIZE 96" WIDE x 92-5/8" DEEP

Parts Needed:

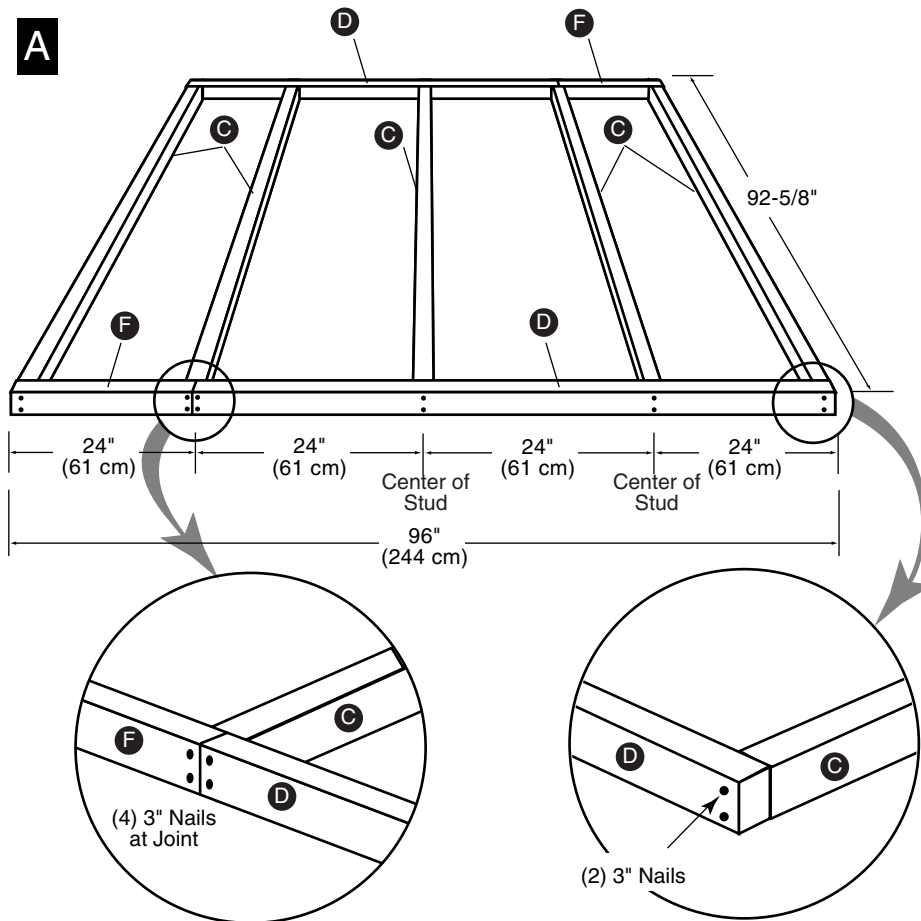
- A** 2 - 48x92-5/8x5/8" Floor Panels
- C** 5 - 2x4x89-1/2" Floor Joist
- D** 2 - 2x4x72" Bond Boards
- F** 2 - 2x4x24" Bond Boards
- 2" and 3" Nails

NOTE: Part letters are Not stamped on floor kits. **ASSEMBLY OF 8' x 92-5/8" FLOOR FRAME**

IMPORTANT!

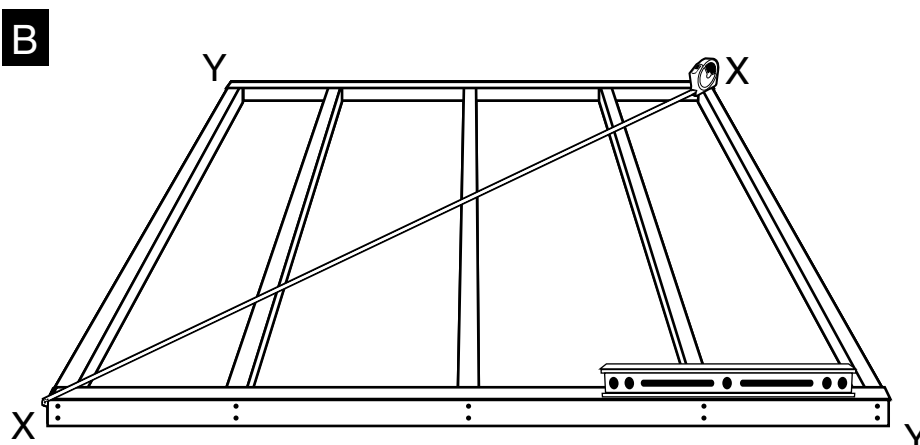
If you will be storing heavy items (such as lawn tractor, motorcycle, snowmobile etc.) we recommend you upgrade from 24" on center (61 cm) to 12" on center (30.5cm) floor framing. This requires you to add the following material:

- Qty. (4) of 2"x 4"x 89-1/2" (5 x 10 x 227 cm) Treated
- 16 ea. 3" (7.6cm) galvanized nails



A: Position Floor Joists **C** 89-1/2", Floor Bond Boards **D** 72", and Floor Bond Boards **F** 24" as shown.

Using 3" nails, nail twice through each Bond Board **D** & **F** into each end of each Joist **C**, keeping pieces flush at top and ends, and maintain 24" spacing. Where **D** & **F** join together use 4-3" nails.



B: Completed Floor Frame should be positioned at building site, leveled, using shims between floor frame and ground before proceeding to Floor Panel Attachment.

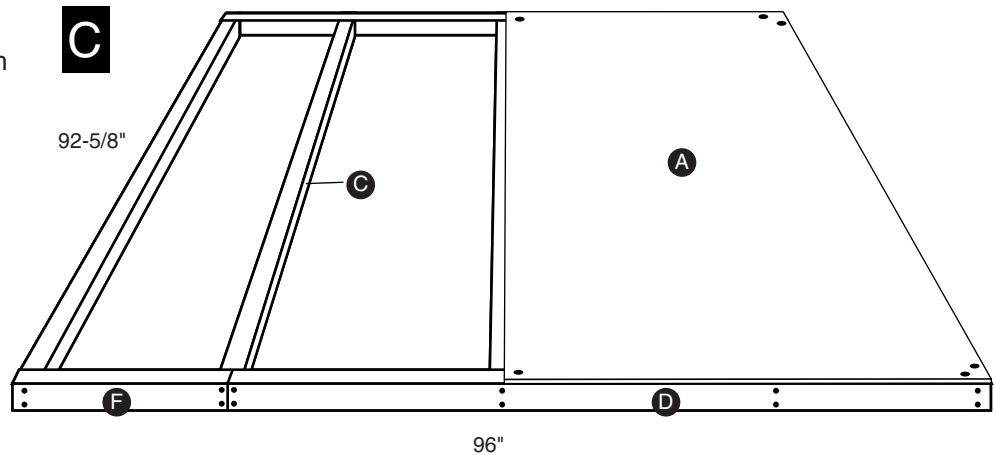
Square frame by making corner-to-corner measurements (**X to X** and **Y to Y**) the same.

8X8 FLOOR KIT INSTRUCTIONS

CONTINUED

FLOOR PANEL ATTACHMENT:

- C:** Position a 48 x 92-5/8" Floor Panel **A** flush to the outside edges of sides and back of Floor Frame. Secure panel with two 2" nails at outside corners and one 2" nail at other corners.

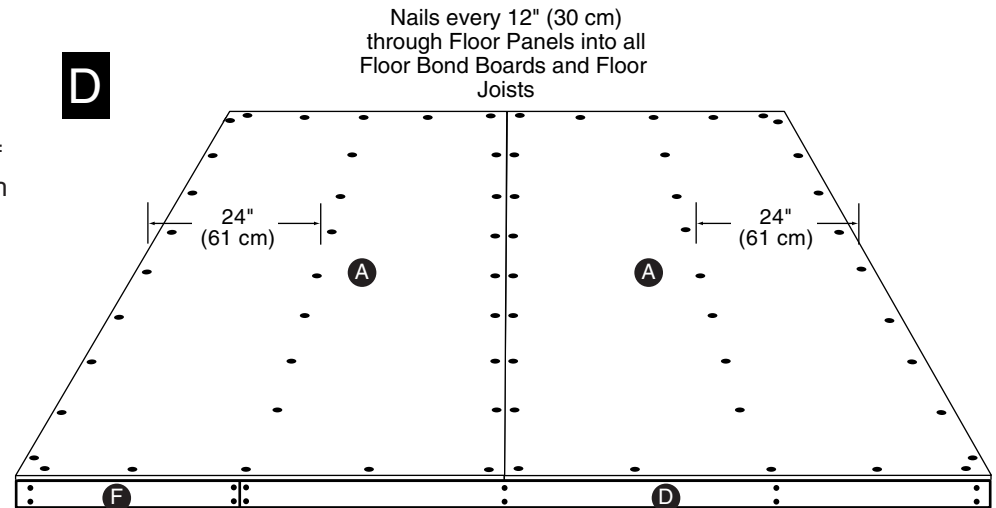


- D:** Position the other 48" x 92-5/8" Floor Panel **A** flush against first panel and flush to edges of Floor Frame. Secure panel with two 2" nails at outside corners and one 2" nail at each of other corners.

With Floor Panels flush to outside edges of Floor Frame, nail with 2" nails every 12" through Floor Panels into all Floor Bond Boards **D** & **F** and Floor Joists **C**.

Note: Mark a line on the Floor Panel over the center of each Floor Joist @ 24" using a pencil and a piece of lumber from the kit (or use a chalk line) to make nailing easier.

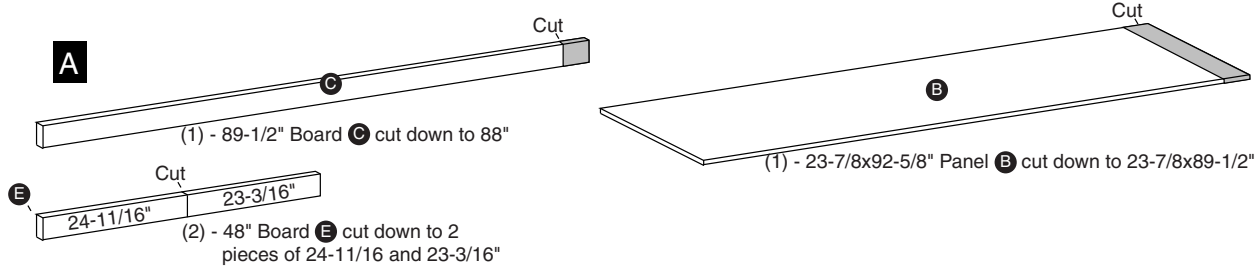
Your Floor is now complete. Check to be sure it is properly positioned and leveled to ground before beginning assembly of your Handy Home Wooden Storage Building.



8X8 OPTIONAL SHELF INSTRUCTIONS

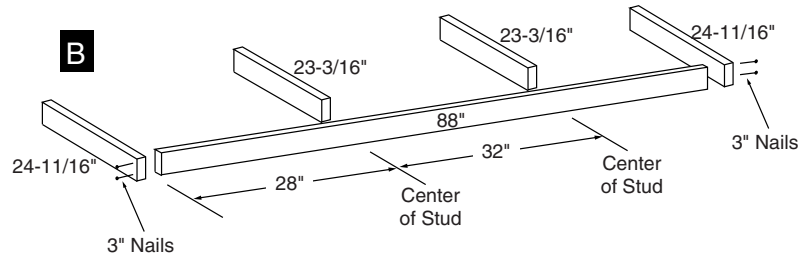
Parts needed to cut:

- B** 1 - 23-7/8x92-5/8x5/8" Floor Panel
- C** 1 - 2x4x89-1/2" Floor Joist
- E** 2 - 2x4x48" Bond Boards
- 2" and 3" Nails



SHELF PARTS TO CUT:

A: Cut the 89-1/2" Board **C** down to 88". Cut both 48" boards **E** at 24-11/16" leaving 23-3/16". Finally cut the 23-7/8x 92-5/8" panel **B** to 89-1/2".

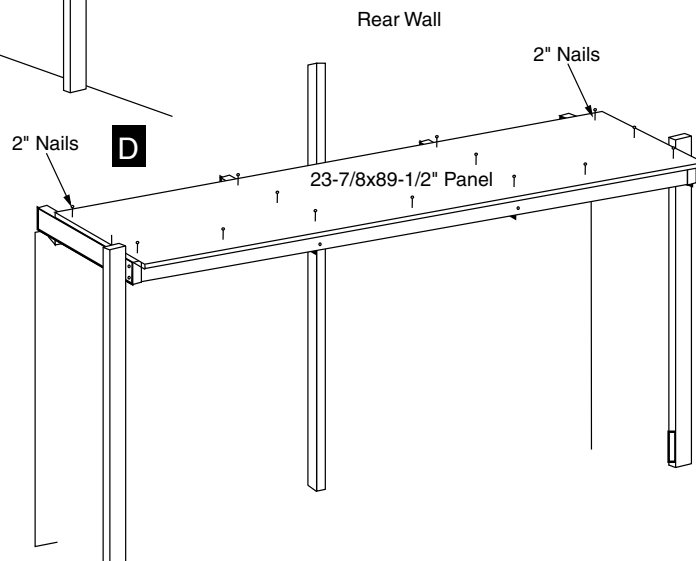
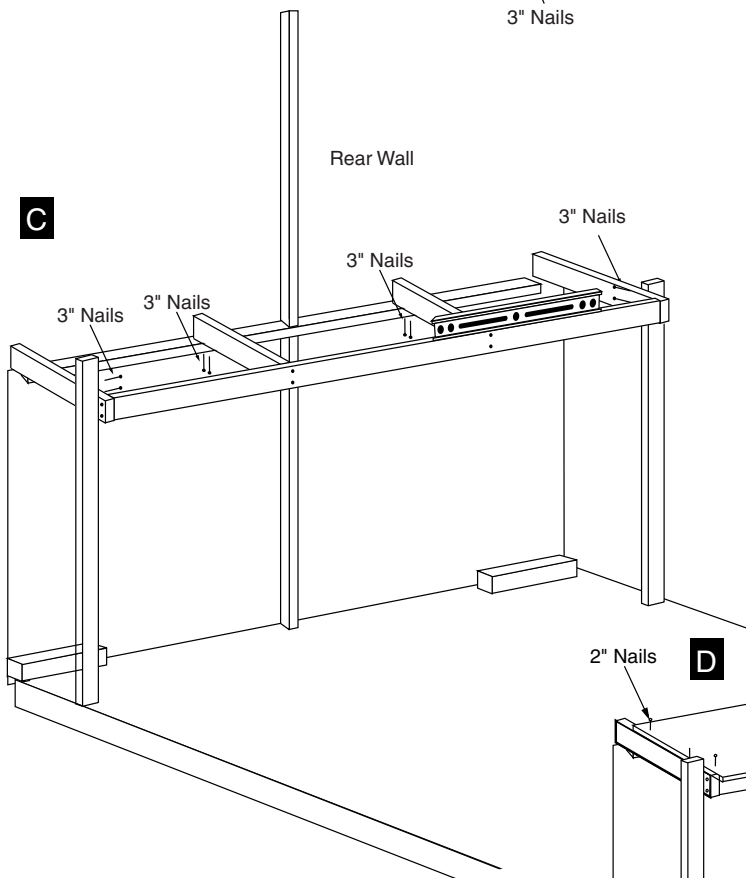


SHELF ASSEMBLY:

B: Mark the 88" Board as shown at 28" then another 32". Attach the 23-3/16" with (2) 3" nails as shown. Attach the 24-11/16" boards to each end of the 88" board with (2) 3" nails.

SHELF INSTALLATION:

C: Install the shelf frame resting on the horizontal Back Wall Brace. Attach middle braces with 3" nails as shown. Level front of frame and nail into Side Wall Studs or Top Plate depending on your building model with 3" nails as shown.



SHELF PANEL INSTALLATION:

D: Center the 23-7/8x89-1/2" panel on the shelf frame and attach with 2" nails as shown.

FLOOR KIT INSTRUCTIONS FOR 10X8 BUILDINGS

ACTUAL SIZE 120" WIDE x 92-5/8" DEEP

Parts Needed:

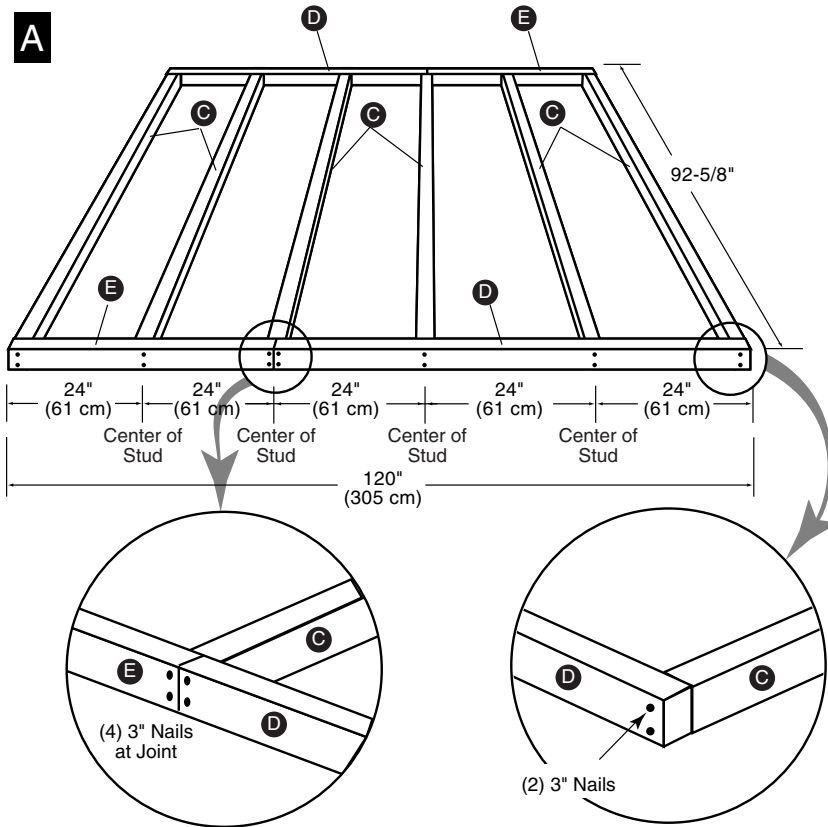
- A** 2 - 48x92-5/8x5/8" Floor Panels
 - B** 1 - 23-7/8x92-5/8x5/8" Floor Panel
 - C** 6 - 2x4x89-1/2" Floor Joist
 - D** 2 - 2x4x72" Bond Boards
 - E** 2 - 2x4x48" Bond Boards
- 2" and 3" Nails

NOTE: Part letters are Not stamped on floor kits. ASSEMBLY OF 10' x 92-5/8" FLOOR FRAME

IMPORTANT!

If you will be storing heavy items (such as lawn tractor, motorcycle, snowmobile etc.) we recommend you upgrade from 24" on center (61 cm) to 12" on center (30.5cm) floor framing. This requires you to add the following material:

- Qty. (5) of 2"x 4"x 89-1/2" (5 x 10 x 227 cm) Treated
- 20 ea. 3" (7.6cm) galvanized nails

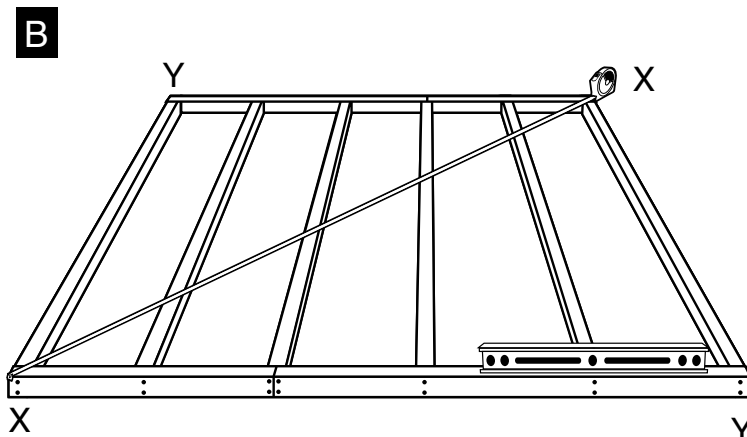


NOTE: Part letters are not stamped on floor kits.

ASSEMBLY OF 10' x 92-5/8" FLOOR FRAME

A: Position Floor Joists **C** 89-1/2", Floor Bond Boards **D** 72", and Floor Bond Boards **E** 48" as shown.

Using 3" nails, nail twice through each Bond Board **D** & **E** into each end of each Joist **C**, keeping pieces flush at top and ends, and maintain 24" spacing. Where **D** & **E** join together use 4-3" nails.



B: Completed Floor Frame should be positioned at building site, leveled, using shims between floor frame and ground before proceeding to Floor Panel Attachment.

Square frame by making corner-to-corner measurements (**X to X** and **Y to Y**) the same.

10X8 FLOOR KIT INSTRUCTIONS

CONTINUED

FLOOR PANEL ATTACHMENT:

C: Position a 48 x 92-5/8" Floor Panel **A** flush to the outside edges of sides and back of Floor Frame. Secure panel with two 2" nails at outside corners and one 2" nail at other corners.

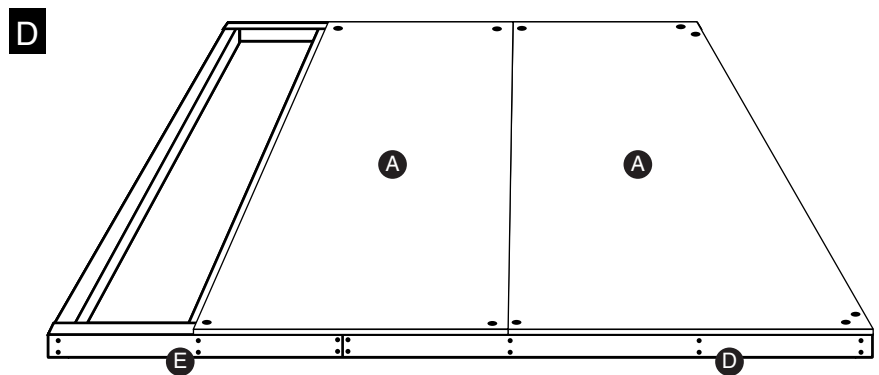
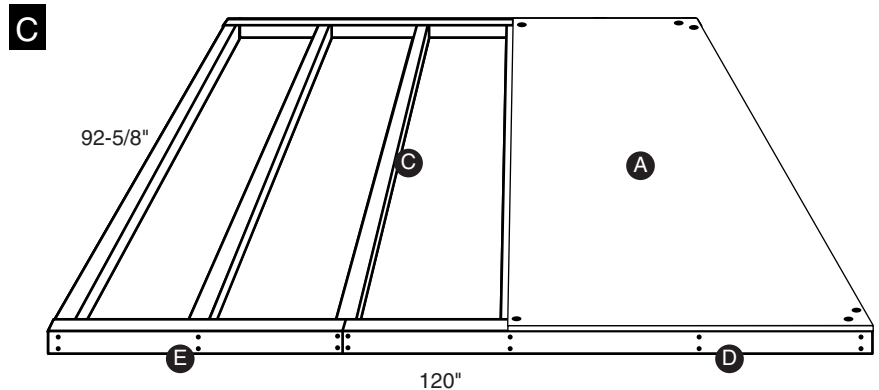
D: Position the other 48" x 92-5/8" Floor Panel **A** flush against first panel and flush to edges of Floor Frame. Secure panel with one 2" nail at each of the four corners.

E: Position the 23-7/8" x 92-5/8" Floor Panel **B** flush against second panel and flush to edges of Floor Frame. Secure panel with two 2" nails at outside corners and one 2" nail at each of other corners.

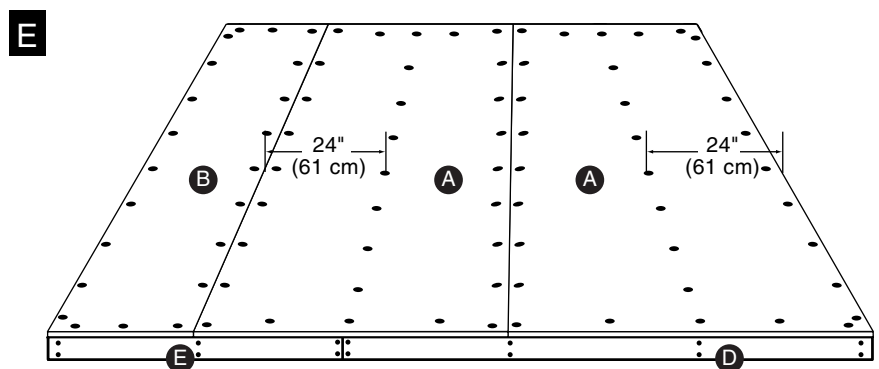
With Floor Panels flush to outside edges of Floor Frame, nail with 2" nails every 12" through Floor Panels into all Floor Bond Boards **D** & **E** and Floor Joists **C**.

Note: Mark a line on the Floor Panel over the center of each Floor Joist @ 24" using a pencil and a piece of lumber from the kit (or use a chalk line) to make nailing easier.

Your Floor is now complete. Check to be sure it is properly positioned and leveled to ground before beginning assembly of your Handy Home Wooden Storage Building.



Nails every 12" (30 cm)
through Floor Panels into all
Floor Bond Boards and Joists



NOTES:

NOTES:

Free Manuals Download Website

<http://myh66.com>

<http://usermanuals.us>

<http://www.somanuals.com>

<http://www.4manuals.cc>

<http://www.manual-lib.com>

<http://www.404manual.com>

<http://www.luxmanual.com>

<http://aubethermostatmanual.com>

Golf course search by state

<http://golfingnear.com>

Email search by domain

<http://emailbydomain.com>

Auto manuals search

<http://auto.somanuals.com>

TV manuals search

<http://tv.somanuals.com>