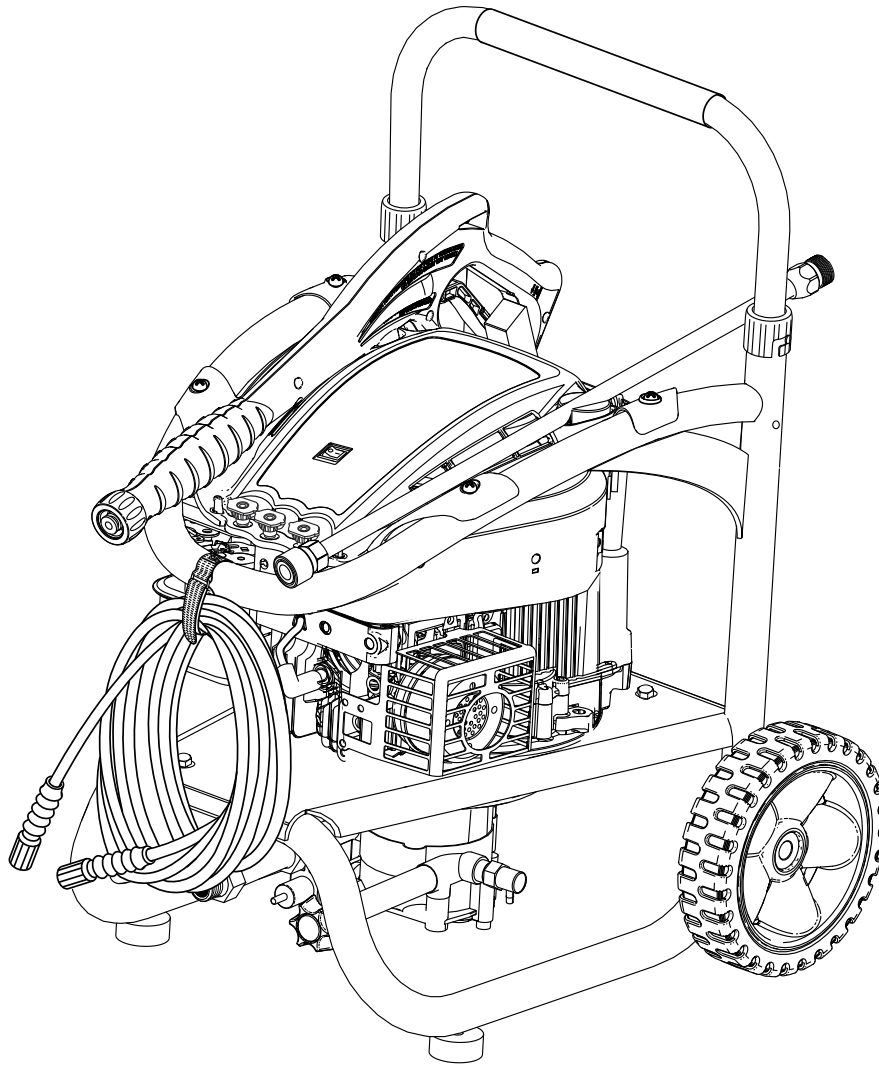




OPERATOR'S MANUAL

GASOLINE PRESSURE WASHER

HU80520



Your pressure washer has been engineered and manufactured to Husky's high standard for dependability, ease of operation, and operator safety. When properly cared for, it will give you years of rugged, trouble-free performance.

⚠ WARNING: To reduce the risk of injury, the user must read and understand the operator's manual before using this product.

Thank you for your purchase.

SAVE THIS MANUAL FOR FUTURE REFERENCE

TABLE OF CONTENTS

■ Introduction	2
■ Important Safety Instructions	3
■ Specific Safety Rules.....	4
■ Symbols.....	5-6
■ Features.....	7-8
■ Assembly	8-12
■ Operation.....	12-15
■ Maintenance.....	16-18
■ Troubleshooting	19
■ Warranty	21
■ Parts Ordering / Service	Back Page

INTRODUCTION

This tool has many features for making its use more pleasant and enjoyable. Safety, performance, and dependability have been given top priority in the design of this product making it easy to maintain and operate.

IMPORTANT INFORMATION ON THE ENGINE WARRANTY OF THIS PRODUCT can be obtained by contacting:

Briggs & Stratton Corporation
Milwaukee, Wisconsin 53201
1-800-233-3723
www.briggsandstratton.com

IMPORTANT SAFETY INSTRUCTIONS

WARNING:

Read and understand all instructions. Failure to follow all instructions listed below may result in electric shock, fire and/or carbon monoxide poisoning which will cause death or serious personal injury.

READ ALL INSTRUCTIONS BEFORE USING THIS PRODUCT










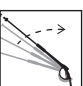


- **Know your tool.** Read the operator's manual carefully. Learn the machine's applications and limitations as well as the specific potential hazards related to this tool.
- **Keep guards in place** and in working order. Never operate the tool with any guard or cover removed. Make sure all guards are operating properly before each use.
- **Remove adjusting keys and wrenches.** Form habit of checking to see that keys and adjusting wrenches are removed from tool before turning it on.
- **To reduce the risk of injury,** keep children and visitors away. All visitors should wear safety glasses and be kept a safe distance from work area.
- **Keep the area of operation clear of all persons,** particularly small children, and pets.
- **Do not operate the engine in a confined space** where dangerous carbon monoxide fumes can collect. Carbon monoxide, a colorless, odorless, and extremely dangerous gas, can cause unconsciousness or death.
- **Use right tool.** Don't force tool or attachment to do a job it was not designed for. Don't use it for a purpose not intended.
- **Dress properly.** Do not wear loose clothing, gloves, neckties, or jewelry. They can get caught and draw you into moving parts. Rubber gloves and nonskid footwear are recommended when working outdoors. Also wear protective hair covering to contain long hair.
- **Do not operate the equipment while barefoot or when wearing sandals or similar lightweight footwear.** Wear protective footwear that will protect your feet and improve your footing on slippery surfaces.
- **Exercise caution to avoid slipping or falling.**
- **Always wear safety glasses with side shields.** Everyday eyeglasses have only impact-resistant lenses; they are **NOT** safety glasses.
- **Don't overreach or stand on unstable support.** Keep proper footing and balance at all times.
- **Use only recommended accessories.** The use of improper accessories may cause risk of injury.
- **Follow the maintenance instructions specified in this manual.**
- **Check damaged parts.** Before further use of the tool, a guard or other part that is damaged should be carefully checked to determine that it will operate properly and perform its intended function. Check for alignment of moving parts, binding of moving parts, breakage of parts, mounting, and any other conditions that may affect its operation. A guard or other part that is damaged must be properly repaired or replaced by an authorized service center to avoid risk of personal injury.
- **Never leave tool running unattended. Turn power off.** Don't leave tool until it comes to a complete stop.
- **Keep the engine free of grass, leaves, or grease** to reduce the chance of a fire hazard.
- **Keep the exhaust pipe free of foreign objects.**
- **Follow manufacturer's recommendations for safe loading, unloading, transport, and storage of machine.**
- **Be thoroughly familiar with controls.** Know how to stop the product and bleed pressure quickly.
- **Keep tool dry, clean, and free from oil and grease.** Always use a clean cloth when cleaning. Never use brake fluids, gasoline, petroleum-based products, or any solvents to clean tool.
- **Stay alert and exercise control.** Watch what you are doing and use common sense. Do not operate tool when you are tired. Do not rush.
- **Do not operate the product while under the influence of drugs, alcohol, or any medication.**
- **Check the work area before each use.** Remove all objects such as rocks, broken glass, nails, wire, or string which can be thrown or become entangled in the machine.
- **Do not use tool if switch does not turn it off.** Have defective switches replaced by an authorized service center.
- **Before cleaning, repairing, or inspecting,** shut off the engine and make certain all moving parts have stopped. Disconnect the spark plug wire, and keep the wire away from the plug to prevent accidental starting.
- **Avoid dangerous environment.** Don't use in damp or wet locations or expose to rain. Keep work area well lit.
- **Never use in an explosive atmosphere.** Normal sparking of the motor could ignite fumes.
- **Do not operate while smoking or near an open flame.**
- **Do not operate around dry brush, twigs, cloth rags, or other flammable materials.**
- **WARNING: Risk of injection or injury** – Do not direct discharge stream at persons.

SPECIFIC SAFETY RULES

- **Never direct a water stream toward people or pets, or any electrical device.**
- **Before starting any cleaning operation**, close doors and windows. Clear the area to be cleaned of debris, toys, outdoor furniture, or other objects that could create a hazard.
- **Never pick up or carry a machine while the engine is running.**
- **Never start the machine** if ice has formed in any part of the equipment.
- **Do not use acids, alkalines, solvents, flammable material, bleaches, or industrial grade solutions** in this product. These products can cause physical injuries to the operator and irreversible damage to the machine.
- **Always operate the machine** on a level surface. If the engine is on an incline, it could seize due to improper lubrication (even at the maximum oil level).
- **WARNING: High pressure jets can be dangerous if subject to misuse.** The jet must not be directed at persons, animals, electrical devices, or the machine itself.
- **Never attempt to make any adjustments while the engine (motor) is running** (except where specifically recommended by the manufacturer).
- **Protective covers must always cover rotating parts when the engine is running.**
- **Keep cooling air intake** (recoil starter area) and muffler side of the engine at least 3 feet away from buildings, obstructions, and other burnable objects.
- **Keep the engine away from flammables and other hazardous materials.**
- **Keep away from hot parts.** The muffler and other engine parts become very hot; use caution.
- **Do not touch the spark plug and ignition cable** when starting and operating the engine.
- **Check fuel hoses and joints** for looseness and fuel leakage before each use.
- **Check bolts and nuts** for looseness before each use. A loose bolt or nut may cause serious engine problems.
- **Always refuel outdoors.** Never refuel indoors or in a poorly ventilated area.
- **Never store the machine with fuel in the fuel tank inside a building** where ignition sources are present, such as hot water and space heaters, clothes dryers, and the like.
- **If the fuel tank has to be drained, do this outdoors.**
- **To reduce the risk of fire and burn injury**, handle fuel with care. It is highly flammable.
- **Do not smoke while handling fuel.**
- **Add fuel before starting the engine.** Never remove the cap of the fuel tank or add fuel while the engine is running or when the engine is hot.
- **Loosen fuel cap slowly** to release pressure and to keep fuel from escaping around the cap.
- **Replace all fuel tank and container caps securely.**
- **Wipe spilled fuel from the unit.** Move 30 feet away from refueling site before starting engine.
- **If fuel is spilled**, do not attempt to start the engine but move the machine away from the area of spillage and avoid creating any source of ignition until fuel vapors have dissipated.
- **Never attempt to burn off spilled fuel under any circumstances.**
- **Before storing, allow the engine to cool.**
- **Store fuel in a cool, well-ventilated area**, safely away from spark and/or flame-producing equipment.
- **Store fuel in containers** specifically designed for this purpose.
- **Empty fuel tank and restrain the unit from moving** before transporting in a vehicle.
- **When servicing use only identical replacement parts.** Use of any other parts may create a hazard or cause product damage.
- **ONLY use cold water.**
- **Make sure minimum clearance** of 3 feet is maintained from combustible materials.
- **Save these instructions.** Refer to them frequently and use them to instruct other users. If you loan someone this tool, loan them these instructions also.




SYMBOLS

Some of the following symbols may be used on this tool. Please study them and learn their meaning. Proper interpretation of these symbols will allow you to operate the tool better and safer.

SYMBOL	NAME	DESIGNATION/EXPLANATION
	Wet Conditions Alert	Do not expose to rain or use in damp locations.
	Read The Operator's Manual	To reduce the risk of injury, user must read and understand operator's manual before using this product.
	Eye Protection	Always wear safety goggles or safety glasses with side shields and, as necessary, a full face shield when operating this product.
	Safety Alert	Precautions that involve your safety.
	Hot Surface	To reduce the risk of injury or damage, avoid contact with any hot surface.
	Risk of Injections	To reduce the risk of injection or injury, never direct a water stream towards people or pets or place any body part in the stream. Leaking hoses and fittings are also capable of causing injection injury. Do not hold hoses or fittings.
	Risk of Explosion	Fuel and its vapors are explosive and can cause severe burns or death.
	Risk of Fire	Fuel and its vapors are extremely flammable and explosive. Fire can cause severe burns or death.
	Toxic Fumes	Gas products emit carbon monoxide, an odorless, colorless, poison gas. Breathing carbon monoxide can cause nausea, fainting, or death.
	Kickback	To reduce the risk of injury from kickback, hold the spray wand securely with both hands when the machine is on.
	Electric Shock	Failure to use in dry conditions and to observe safe practices can result in electric shock.
	Chemical Burns	To reduce the risk of injury or damage, DO NOT USE ACIDS, ALKALINES, BLEACHES, SOLVENTS, FLAMMABLE MATERIAL, OR INDUSTRIAL GRADE SOLUTIONS in this product.

SYMBOLS

The following signal words and meanings are intended to explain the levels of risk associated with this product.

SYMBOL	SIGNAL	MEANING
	DANGER:	Indicates an imminently hazardous situation, which, if not avoided, will result in death or serious injury.
	WARNING:	Indicates a potentially hazardous situation, which, if not avoided, could result in death or serious injury.
	CAUTION:	Indicates a potentially hazardous situation, which, if not avoided, may result in minor or moderate injury.
	CAUTION:	(Without Safety Alert Symbol) Indicates a situation that may result in property damage.

SERVICE

Servicing requires extreme care and knowledge and should be performed only by a qualified service technician. For service we suggest you return the product to the nearest **AUTHORIZED SERVICE CENTER** for repair. When servicing, use only identical replacement parts.



WARNING:

To avoid serious personal injury, do not attempt to use this product until you read thoroughly and understand completely the operator's manual. If you do not understand the warnings and instructions in the operator's manual, do not use this product. Call Husky customer service for assistance.



WARNING:



The operation of any power tool can result in foreign objects being thrown into your eyes, which can result in severe eye damage. Before beginning power tool operation, always wear safety goggles or safety glasses with side shields and, when needed, a full face shield. We recommend Wide Vision Safety Mask for use over eyeglasses or standard safety glasses with side shields. Always use eye protection which is marked to comply with ANSI Z87.1.

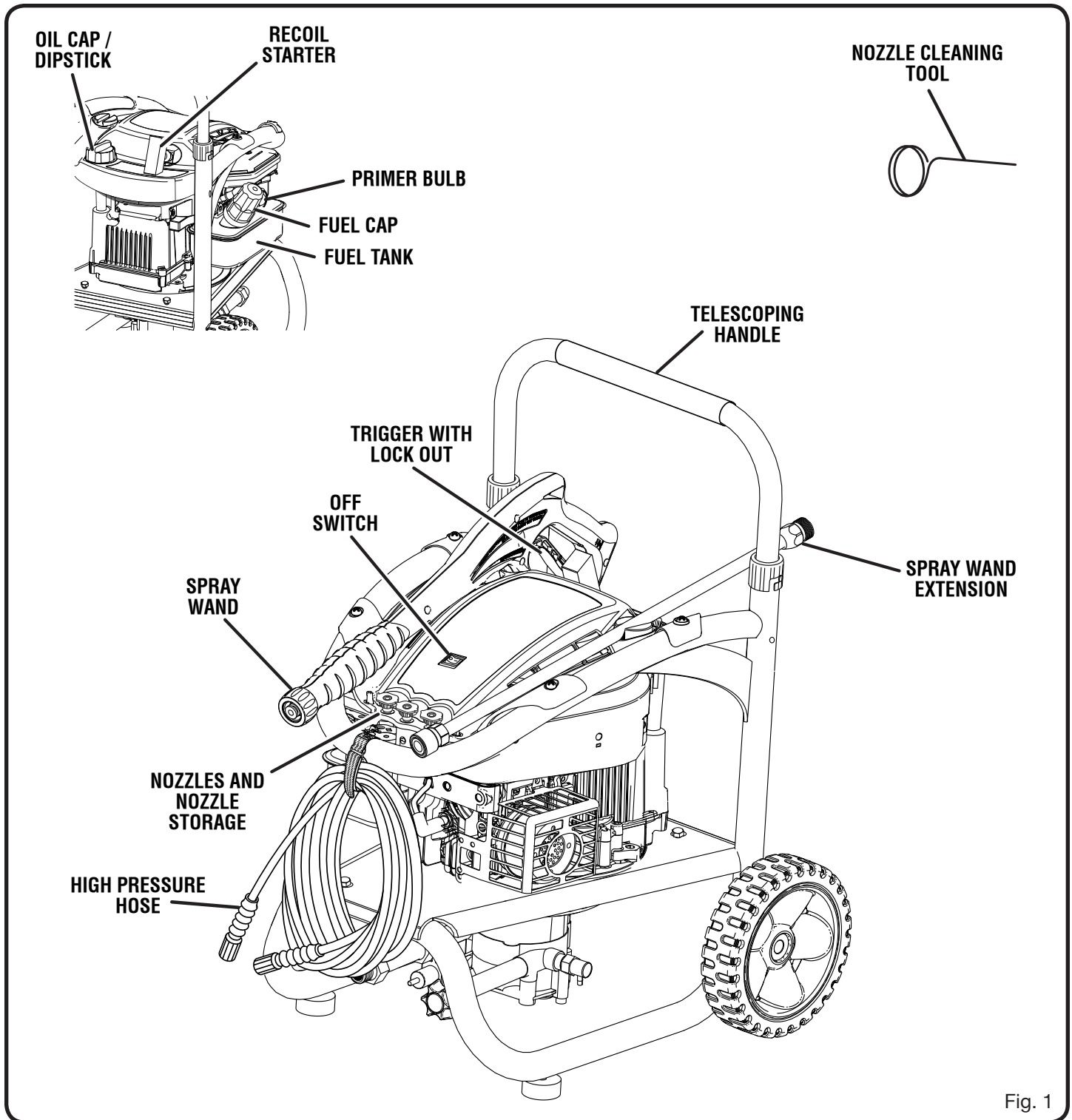
SAVE THESE INSTRUCTIONS

FEATURES

PRODUCT SPECIFICATIONS

Engine.....	Briggs and Stratton Q45™*
Fuel Tank Capacity.....	1 quart (.95 liters)
Maximum Pounds Per Square Inch Pressure.....	2,200 psi
Maximum Gallons Per Minute.....	2.0 GPM

* No representation is made as to the horsepower of the Briggs & Stratton Q45™ Series engine.



FEATURES

KNOW YOUR PRESSURE WASHER

See Figure 1.

The safe use of this product requires an understanding of the information on the tool and in this operator's manual as well as a knowledge of the project you are attempting. Before use of this product, familiarize yourself with all operating features and safety rules.

BRIGGS & STRATTON ENGINE

This Briggs & Stratton Q45™ engine enables the pressure washer to achieve 2,200 PSI (pounds per square inch) at a rate of 2.0 GPM (gallons per minute).

FUEL TANK

This fuel tank has a maximum capacity of 1 quart (.95 liters). Use unleaded automotive gasoline in the engine.

HOSE STORAGE

Once the high pressure hose is rolled, hang it on the front of the machine using the hook and loop strap for convenient storage.

OFF SWITCH

To turn the engine off, press and hold the **OFF** switch for a full three seconds or until the engine stops.

RECOIL STARTER

The recoil starter is pulled to start the machine.

SPRAY WAND

The spray wand has a gripping surface that provides added control of the spray wand and helps reduce fatigue. Both the spray wand and extension have storage areas located on top of the machine.

THERMAL RELIEF VALVE

This pump feature will prevent water temperatures from reaching harmful levels by releasing a small amount of water from a rubber hose. Once the water has drained, the thermal relief valve will reset itself.

TRIGGER WITH LOCK OUT

Pulling the trigger releases a stream of water for high pressure cleaning. The lock out provides protection against unauthorized use.

ASSEMBLY

UNPACKING

This product requires assembly.

- Carefully cut the box down the sides then remove the tool and any accessories from the box. Make sure that all items listed in the packing list are included.

NOTE: This tool is heavy. To avoid back injury, lift with your legs, not your back, and get help when needed.

- Inspect the tool carefully to make sure no breakage or damage occurred during shipping.
- Do not discard the packing material until you have carefully inspected and satisfactorily operated the tool.
- If any parts are damaged or missing, please call 1-866-340-3912 for assistance.

PACKING LIST

Pressure Washer
25 ft. High Pressure Hose
Spray Wand Assembly (upper)
Spray Wand Extension (lower)
Quick-Connect Nozzle with Nozzle Storage (3)
Nozzle Cleaning Tool
Injection Hose
Wheel (2)
Flat Washer (4)
Axle (2)
Hitch Pin (2)
4-Cycle Engine Oil (SAE 30)
Telescoping Handle
Operator's Manual

ASSEMBLY

WARNING:

If any parts are damaged or missing do not operate this tool until the parts are replaced. Failure to heed this warning could result in serious personal injury.

WARNING:

Do not attempt to modify this tool or create accessories not recommended for use with this tool. Any such alteration or modification is misuse and could result in a hazardous condition leading to possible serious personal injury.

WARNING:

To prevent accidental starting that could cause serious personal injury, always disconnect the engine spark plug wire from the spark plug when assembling parts.

NOTE: Do not start the pressure washer until the engine has been filled with oil, all hoses are connected, and the water is turned on. Running this machine without oil will damage the engine; running this machine without water will damage the high pressure pump.

ATTACHING THE WHEEL ASSEMBLY

See Figure 2.

To attach the wheels to the pressure washer base:

- Locate the axle, hitch pins, and wheels. Remove the hitch pin from the axle.
- Slide the axle/washer through the hole in the center of the wheel.
- Lift the machine and slide the combination into the wheel mounting hole in the machine base as shown.
- Push the hitch pin into the hole on the end of the axle to secure the wheel assembly.

NOTE: The hitch pin should be pushed into the axle until the center of the pin rests on top of the axle.

- Repeat with the second wheel.

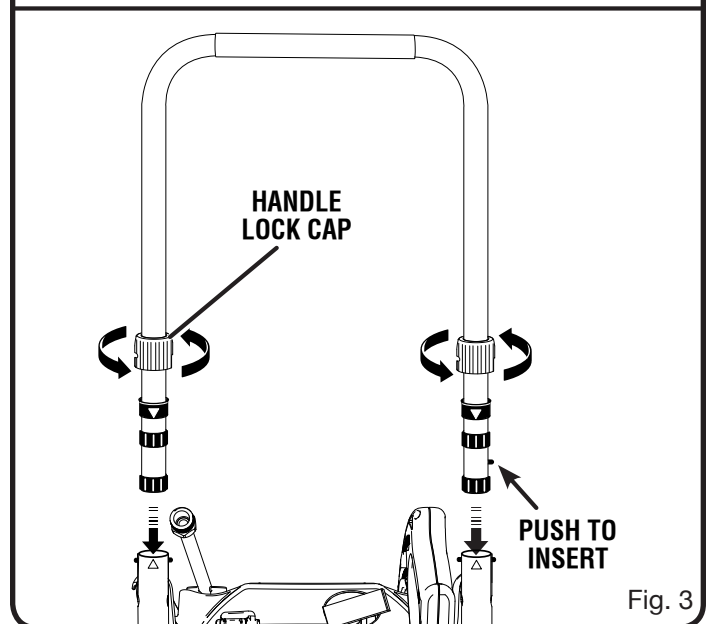
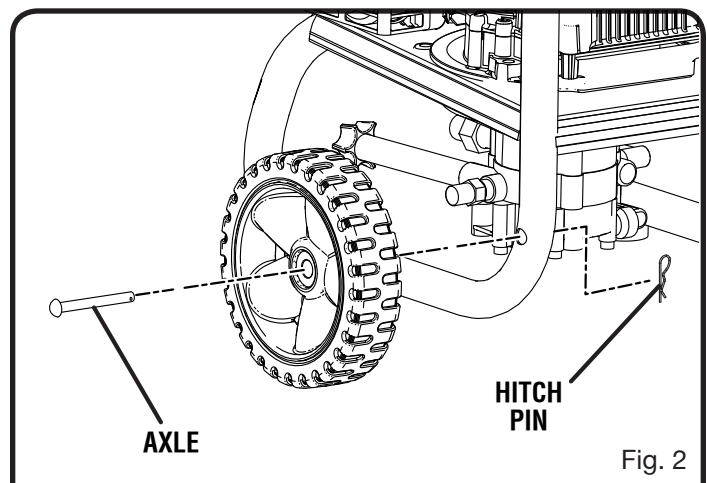
INSTALLING THE TELESCOPING HANDLE

See Figure 3.

To install the telescoping handle:

- Align the arrows on the U-shaped handle with the arrows on the back of the frame.
- Push and hold the button on the handle as you slide the handle into the holes in the frame.
- Lock the handle in place by aligning the slot in the handle lock cap with the pin on the housing bar. Next, push the handle lock cap down while turning the cap clockwise.

NOTE: Before use, pull the handle up until the lock button snaps through the locking slot to secure the handle in place.



ASSEMBLY

ADDING OIL TO THE ENGINE

See Figure 4.

NOTE: This machine has been shipped with approximately 2 oz. of oil in the engine from testing. **You must add oil to the engine before starting it the first time.**

CAUTION:

Any attempt to start the engine without adding oil will result in engine failure.

- Place pressure washer on a flat, level surface.
- Unscrew the oil cap/dipstick by turning counter-clockwise.
- Using 4-stroke engine oil (SAE 30), fill to the upper level of the oil filter neck (18 oz., 4-cycle engine oil provided).
- Replace the oil cap/dipstick and securely tighten.

NOTE: This engine has a total oil capacity of 20 oz. (.6 liters).

ADDING GASOLINE TO THE FUEL TANK

See Figure 5.

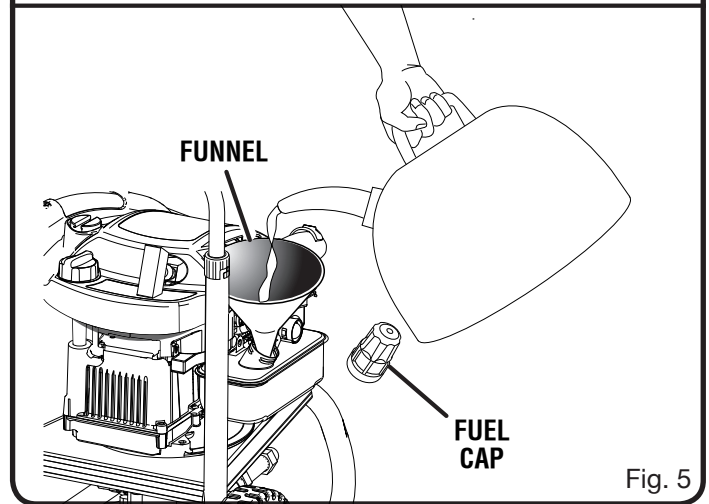
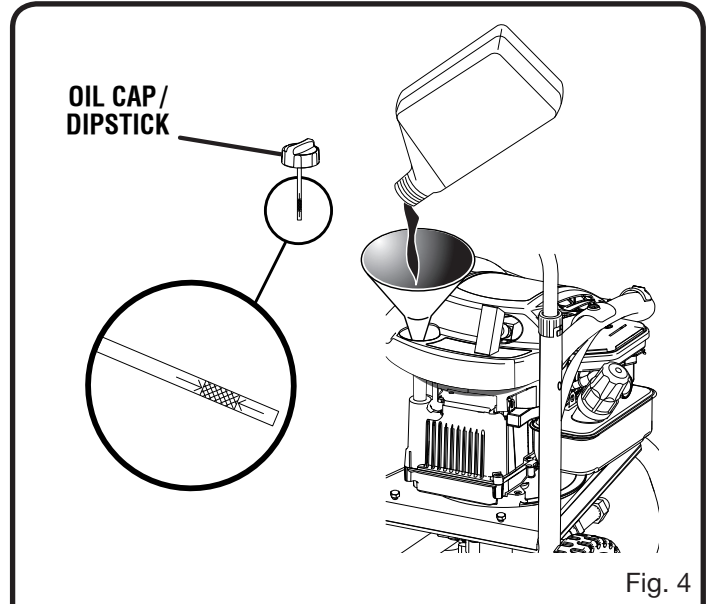
⚠ WARNING:

Gasoline and its vapors are highly flammable and explosive. To prevent serious personal injury and property damage, handle gasoline with care. Keep away from ignition sources, handle outdoors only, do not smoke while adding fuel, and wipe up spills immediately.

When adding gas to the pressure washer, make sure the unit is sitting on a flat, level surface. If the engine is hot, let the pressure washer cool before adding gas. **ALWAYS** fill the fuel tank outdoors with the machine turned off.

NOTE: Use unleaded gas only. **DO NOT** mix oil with gas.

- Before removing the fuel cap, clean the area around it. Remove the fuel cap.
- Insert a clean funnel into the fuel tank then slowly pour gasoline into the tank. Fill tank to approximately 1-1/2 in. below the top of the tank neck (this allows for fuel expansion).
- Replace fuel cap and tighten securely.
- Clean up any spills before starting the engine.



ASSEMBLY

ATTACHING INJECTION HOSE

See Figure 6.

Before detergent can be used with this machine, the injection hose must be attached.

- Push the open end of the clear injection hose securely over the fitting as shown in figure 7.
- Place the filtered end of the injection hose in the bottle of detergent.

ASSEMBLING THE SPRAY WAND

See Figure 7.

To attach the spray wand extension:

- Place the threaded end of the wand extension in the connector on the end of the spray wand assembly.
- Turn the connector clockwise until it stops. This secures the wand extension in place.
- When not in use, remove the spray wand extension from the spray wand by turning the connector counter clockwise. When not in use, store both pieces on top of the pressure washer.

CONNECTING HIGH PRESSURE HOSE TO SPRAY WAND ASSEMBLY

See Figure 8.

- Screw the collar on the high pressure hose into the spray wand's inlet coupler by turning the hose collar clockwise.
- Pull on the hose to be certain it is properly secured.

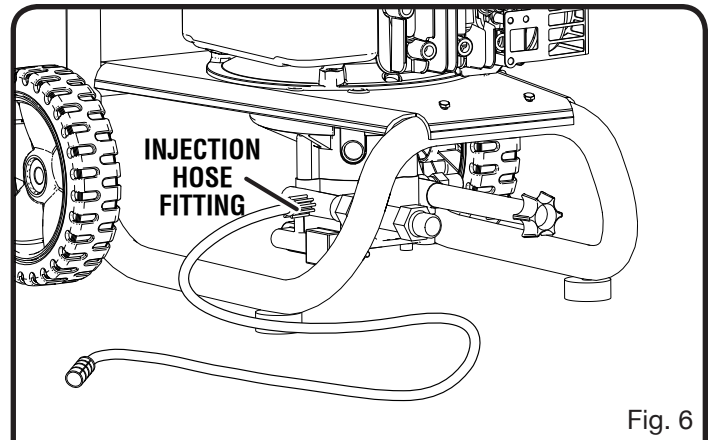


Fig. 6

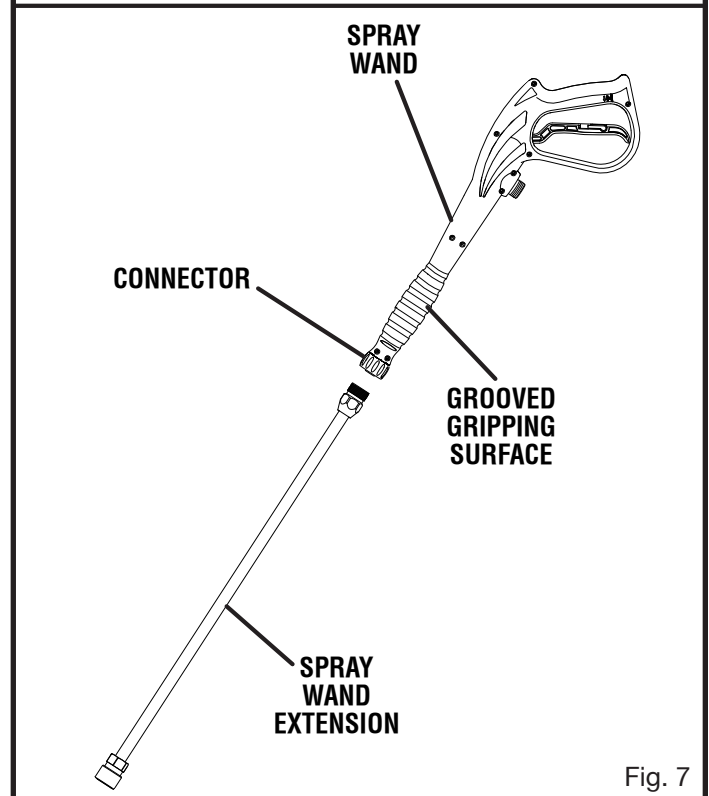


Fig. 7

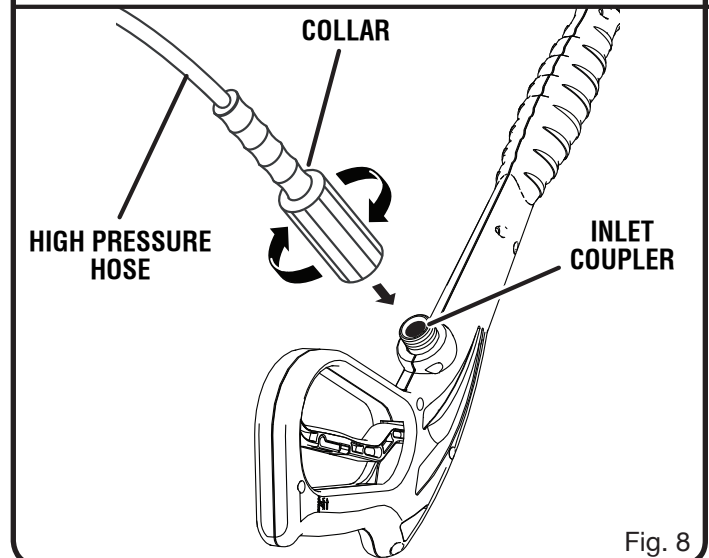


Fig. 8

ASSEMBLY

CONNECTING THE HIGH PRESSURE HOSE TO THE PUMP

See Figure 9.

After the high pressure hose has been uncoiled and attached to the spray wand:

- Align the collar on the threaded nipple on the pump.
- Insert the nozzle on the end of the high pressure hose collar into the threaded nipple.
- Turn the collar clockwise to tighten the hose securely to the pump.
- Pull on the hose to be certain it is properly secured.

CONNECTING THE GARDEN HOSE TO THE PRESSURE WASHER

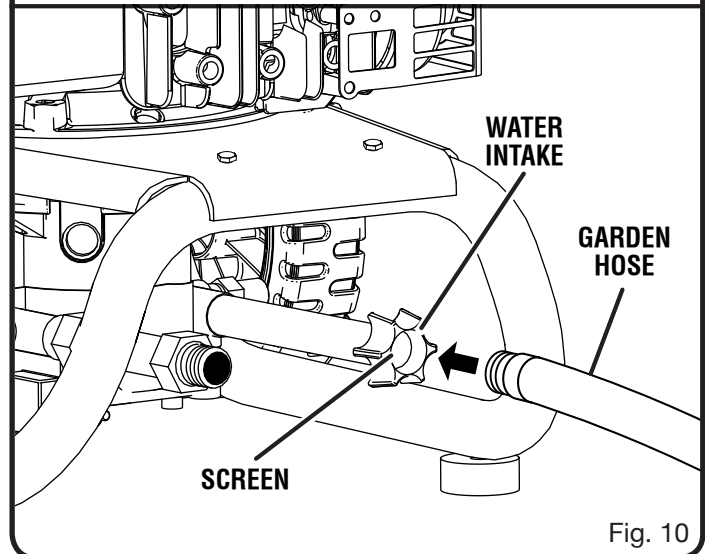
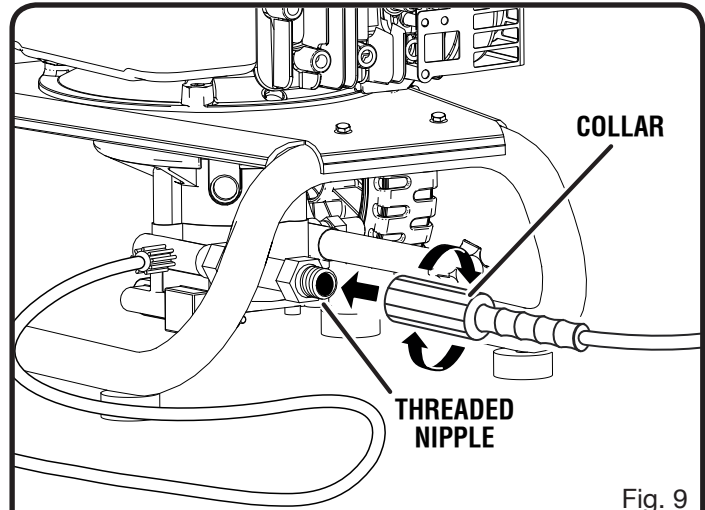
See Figure 10.

The water supply must come from a water main. NEVER use hot water or water from pools, lakes, etc. Before connecting the garden hose to the pressure washer:

- Run water through the hose for 30 seconds to clean any debris from the hose.
- Inspect the screen in the water intake.
- If the screen is damaged, do not use the machine until the screen has been replaced.
- If the screen is dirty, clean it before connecting the garden hose to the machine.

To connect the garden hose to the machine:

- Uncoil the garden hose.
NOTE: There must be a minimum of 10 feet of unrestricted hose between the pressure washer intake and the hose faucet or shut off valve (such as a "Y" shut off connector).
- With the hose faucet turned completely off, attach the end of the garden hose to the water intake. Tighten by hand.



OPERATION

WARNING:

Do not allow familiarity with tools to make you careless. Remember that a careless fraction of a second is sufficient to inflict serious injury.

WARNING:

Always wear safety goggles or safety glasses with side shields when operating tools. Failure to do so could result in objects being thrown into your eyes, resulting in possible serious injury.

WARNING:

Do not use any attachments or accessories not recommended by the manufacturer of this tool. The use of attachments or accessories not recommended can result in serious personal injury.

WARNING:

Do not direct discharge stream at persons. Failure to heed this warning could result in serious injury.

OPERATION

APPLICATIONS

You may use this tool for the purposes listed below:

- Removing dirt and mold from decks, cement patios, and house siding
- Cleaning cars, boats, motorcycles, outdoor furniture, and grills

STARTING AND STOPPING THE PRESSURE WASHER

See Figures 11 - 12.

CAUTION:

Do not run the pump without the water supply connected and turned on.

Before starting the engine:

- Connect all hoses.
- Check all fluids (oil and gas).
- Turn the garden hose on then squeeze the trigger to relieve air pressure; hold the trigger until a steady stream of water appears.

To start the engine:

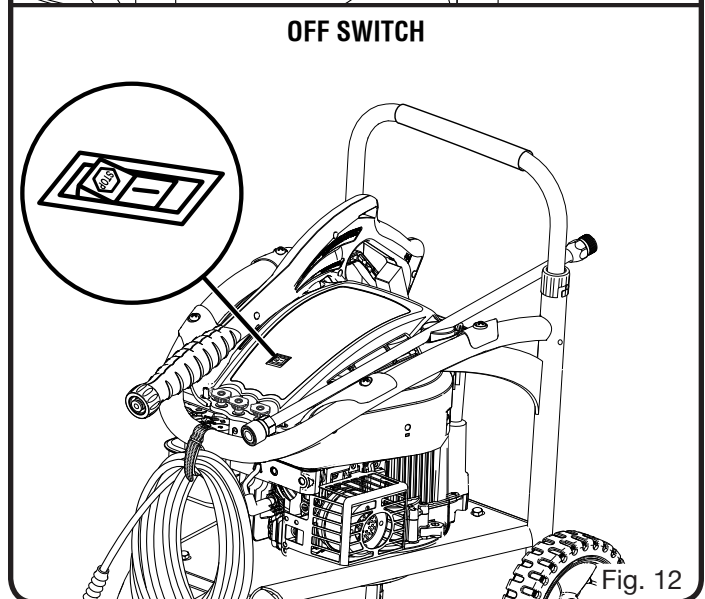
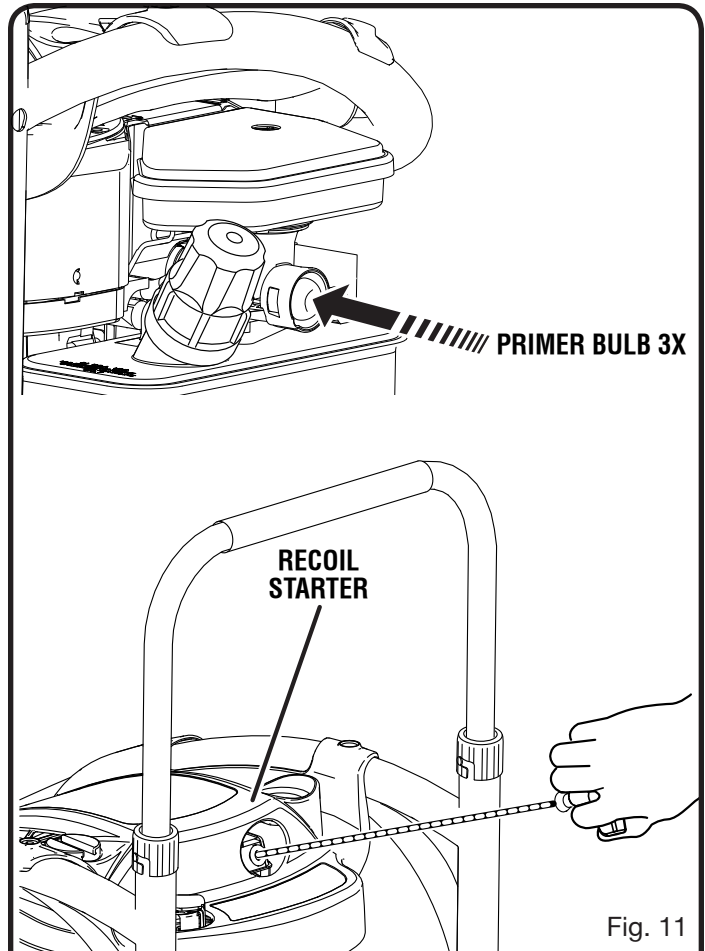
- Push primer bulb 3 times.

NOTE: If starting the engine for the first time, push the primer bulb 5 times.

- Grasp the recoil starter and pull slowly until resistance is felt. Give the recoil starter a short, brisk pull to start the engine.

To stop the engine:

On the top of the engine is a **OFF (O)** switch. Press and hold the switch in the **OFF** position for three (3) seconds or until the engine stops.



OPERATION

USING THE SPRAY WAND TRIGGER

See Figure 13.

For greater control and safety, keep both hands on the spray wand at all times.

- Pull back and hold the trigger to operate the pressure washer.
- Release the trigger to stop the flow of water through the nozzle.

To engage the lock out:

- Push up on the lock out until it clicks into the slot.

To disengage the lock out:

- Push the lock out down and into its original position.

For the most effective cleaning, the spray nozzle should be between 8 in. and 24 in. from the surface to be cleaned. If the spray is too close it can damage the cleaning surface.

SELECTING THE RIGHT QUICK-CONNECT NOZZLE FOR THE JOB

See Figure 14 - 15.

NOTE: The nozzles are secured in a removable rubber holder that can be placed in a pocket for quick and immediate access.

Before starting any cleaning job, determine the best nozzle for the job. Each of the three nozzles has a different spray pattern. The nozzle patterns are: detergent (low pressure), 25° (medium pressure), and 0° (high pressure).

NOTE: For a gentle rinse, select the detergent nozzle. Scouring the surface requires a more direct spray of water. Select the 0° nozzle for tough jobs. Apply detergent using the detergent nozzle.

CAUTION:

NEVER change nozzles without locking the lock out on the spray wand.

Using the quick-connect collar, changing nozzles is easy.

- Turn off the pressure washer and shut off the water supply. Pull trigger to release water pressure.

To connect a nozzle to the spray wand:

- Push the nozzle into the quick-connect collar until it clicks into place and is secured properly.

To disconnect a nozzle from the spray wand once the cleaning job is complete:

- Turn off the pressure washer and shut off the water supply. Pull trigger to release water pressure.
- Engage the lock out on the wand by pushing up on the lock out until it clicks into the slot.
- Pull back and hold the collar.
- Remove the nozzle by pulling it from the collar.
- Place hand over nozzle then pull back the quick-connect collar. Place nozzle in the nozzle storage area on the top of the machine.

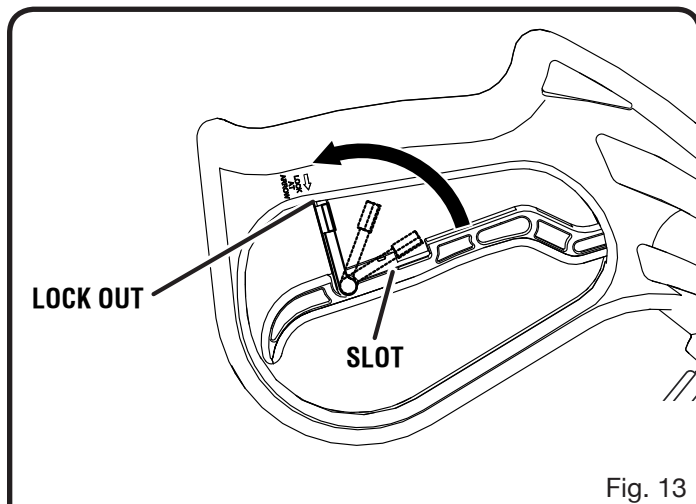


Fig. 13

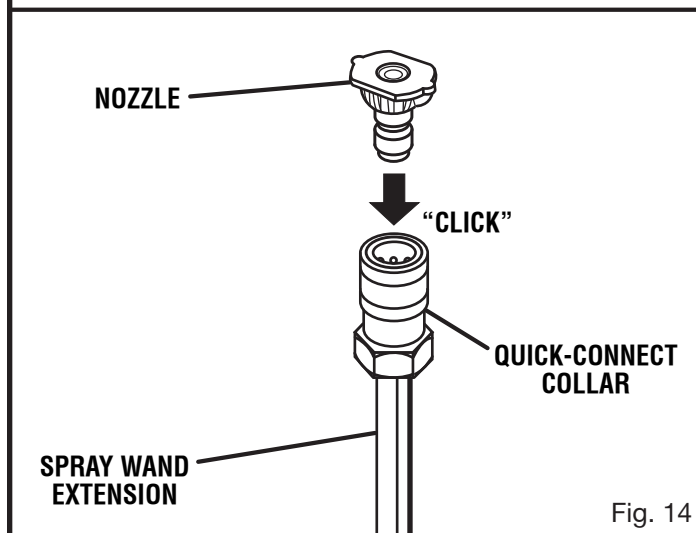


Fig. 14

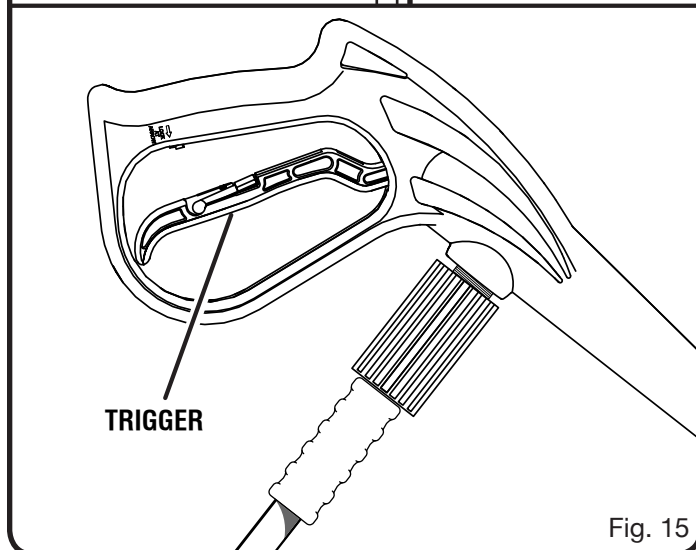


Fig. 15

OPERATION

MOVING THE PRESSURE WASHER

See Figure 16.

NOTE: Never lift or carry this product using the moving handle.

- Turn the pressure washer off.
- Standing at the back of the machine, grasp the handle firmly with both hands and pull the handle up until it locks into place with a “click”.
- Tilt the machine toward you until it balances on the wheels then roll the machine to the desired position.

STORING THE PRESSURE WASHER

See Figure 16.

Store the pressure washer with the gas tank empty by either draining the tank or running the pressure washer until the gas runs out. Allow 30 minutes of “cool down” time before storing the machine. Store in a dry, covered area where the weather can’t damage it.

WASHING WITH DETERGENT

See Figure 17.

Use only detergents designed for pressure washers; household detergents, acids, alkalines, bleaches, solvents, flammable material, or industrial grade solutions can damage the pump. Many detergents may require mixing prior to use. Prepare cleaning solution as instructed on the solution bottle.

- Place the injection hose in the bottom of the detergent bottle / container.
- Install the black nozzle on the spray wand.
- Spray the detergent on a dry surface using long, even, overlapping strokes. To prevent streaking, do not allow detergent to dry on the surface.

Before shutting off the engine:

- Place the injection hose in a bucket of clean water.
- Flush for 1 - 2 minutes (spray clear water through the spray wand).
- Shut off the engine.

NOTE: Shutting **OFF (O)** the engine will not relieve pressure in the system. Pull trigger to release water pressure.

RINSING WITH THE PRESSURE WASHER

- Turn off the pressure washer and shut off the water supply. Pull trigger to release water pressure.
- Engage the lock out on the wand by pushing up on the lock out until it clicks into the slot.
- Pull back and hold the collar.
- Remove the nozzle by pulling it from the collar.
- Select the right nozzle for the job:
 - Use lower pressure nozzle (green) to wash items such as a car or boat.
 - Use higher pressure nozzle for jobs such as stripping paint and degreasing the driveway. When using these nozzles, test a small area first to avoid surface damage.
- Start at the top of the area to be rinsed and work down, overlapping the strokes.

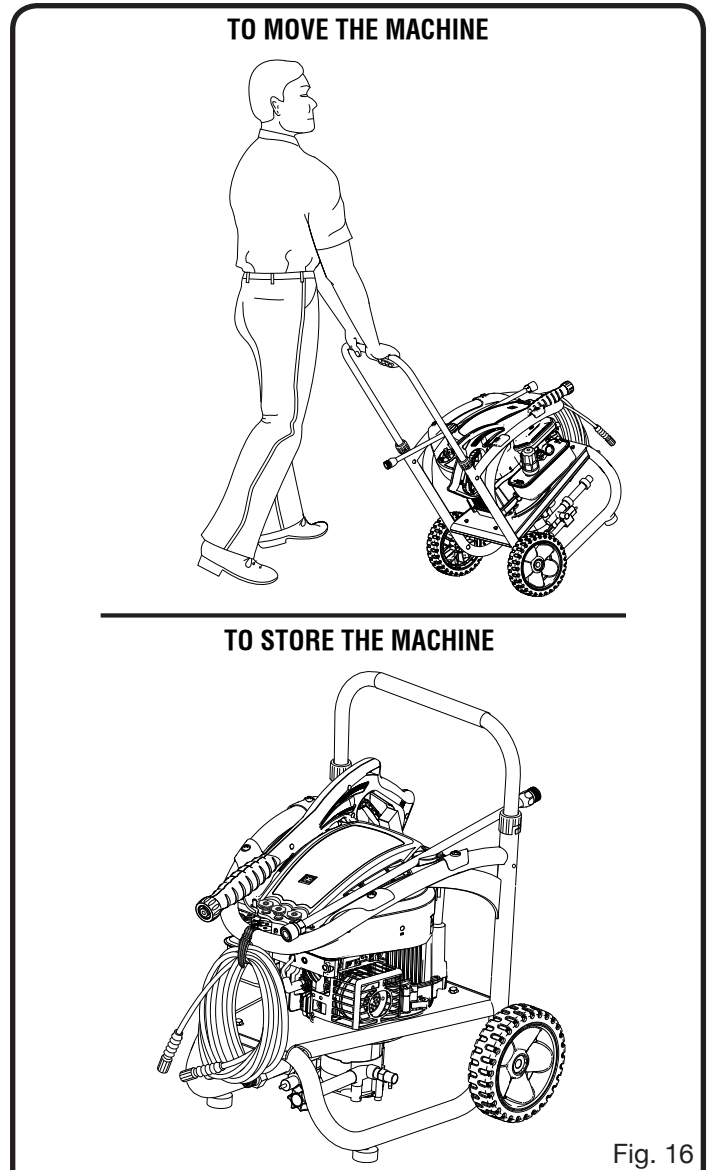


Fig. 16

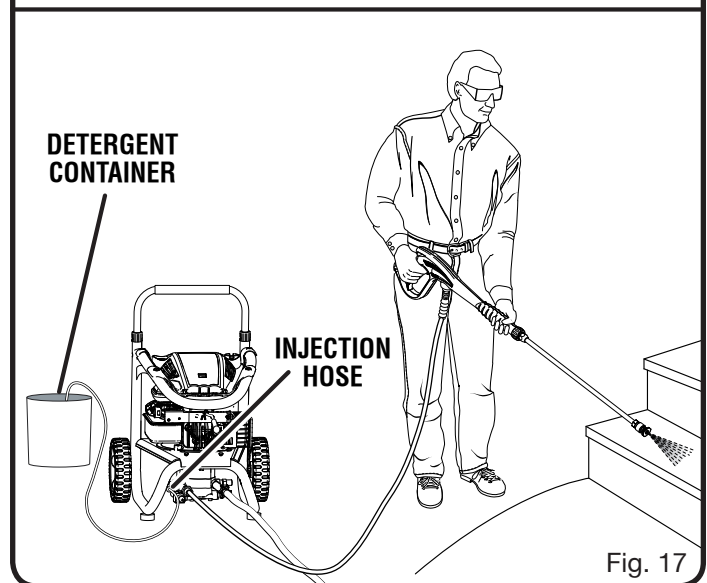


Fig. 17

MAINTENANCE

WARNING:

When servicing, use only identical replacement parts. Use of any other parts may create a hazard or cause product damage.

WARNING:

Always wear safety goggles or safety glasses with side shields during power tool operation or when blowing dust. If operation is dusty, also wear a dust mask.

WARNING:

Before inspecting, cleaning or servicing the machine, shut off engine, wait for all moving parts to stop, and disconnect spark plug wire and move it away from spark plug. Failure to follow these instructions can result in serious personal injury or property damage.

NOTE: The Briggs and Stratton Q45™ engine has a separate warranty found in the engine manual (included with this product).

GENERAL MAINTENANCE

Avoid using solvents when cleaning plastic parts. Most plastics are susceptible to damage from various types of commercial solvents and may be damaged by their use. Use clean cloths to remove dirt, dust, oil, grease, etc.

WARNING:

Do not at any time let brake fluids, gasoline, petroleum-based products, penetrating oils, etc., come in contact with plastic parts. Chemicals can damage, weaken or destroy plastic which may result in serious personal injury.

Only the parts shown on the parts list are intended to be repaired or replaced by the customer. All other parts should be replaced at an authorized service center.

Before running the engine, perform the following pre-operation steps:

- Check that all bolts, nuts, etc., are securely tightened.
- Make sure the air filter is clean.
- Check both the engine oil level and the fuel tank level; refill as needed.
- Inspect the work area for hazards.
- If there is excessive noise or vibration, stop the unit immediately.

CLEANING THE AIR FILTER

See Figure 18.

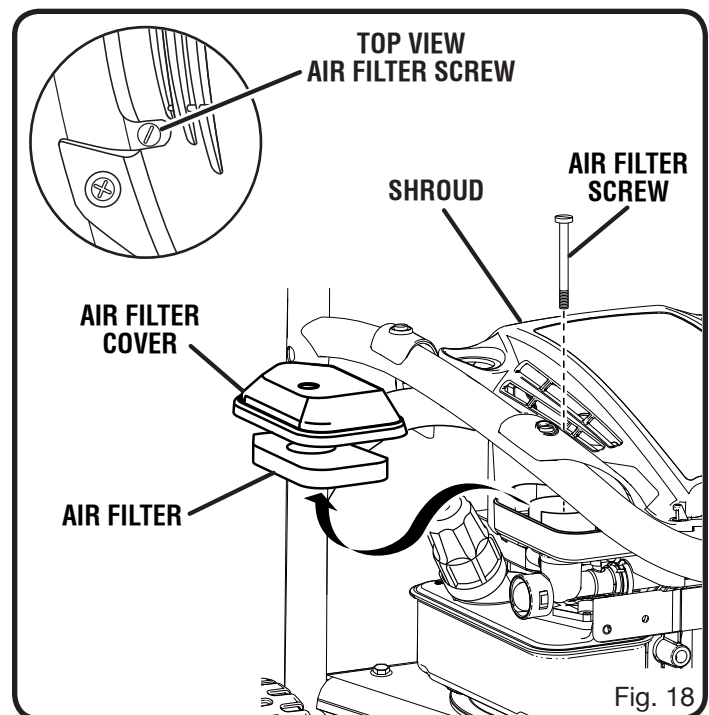
A dirty air filter will cause starting difficulty, loss of performance, and shorten the life span of the engine. Check the air filter monthly. For best performance, replace the air filter at least once a year.

NOTE: DO NOT remove the shroud as you could disconnect or loosen the wire connecting the **OFF** switch to the engine making it inoperable.

- Using the hole in the shroud for easy access, remove the air filter screw.
- Remove the air filter cover.
- Lift the edge of the air filter carefully and pull it out.
- Wash the air filter with warm, soapy water.
- Rinse and squeeze to dry.
- Put small amount of motor oil (SAE 30) on the filter sponge. Squeeze out the excess oil then reinstall the air filter.

NOTE: Make sure the filter is seated properly inside the cover. Installing the filter incorrectly will allow dirt to enter the engine, causing rapid engine wear.

- Reinstall the air filter cover and tighten securely using the air filter screw.



MAINTENANCE

CHANGING THE OIL

See Figure 19.

NOTE: Run the engine out of gas to prevent gas spills if machine is tilted. Allow 30 minutes of “cool down” time.

- Place a container under the pressure washer.
- Remove the oil drain plug and drain the old oil.
NOTE: Drain the oil while the engine is still warm but not hot. Warm oil will drain quickly and more completely.
- Replace the oil drain plug.
- Replace the oil with new, clean oil. This engine will hold 20 oz. or .6 liters of oil (SAE 30).

NOTE: Consult hazardous waste management guidelines in your area for the proper way to dispose of used oil.

CHECKING A FOULED SPARK PLUG

See Figure 20.

- Clean carbon deposits off the spark plug electrode using a plug cleaner or wire brush.
- Check electrode gap. The gap should be .6 mm - .7 mm. Adjust the gap, if necessary, by carefully bending the side electrode.

(Recommended spark plug: NGK BR-6HS; CHAMPION RL86C.)

NOZZLE MAINTENANCE

See Figure 21.

Excessive pump pressure (a pulsing sensation felt while squeezing the trigger) may be the result of a clogged or dirty nozzle.

- Turn off the pressure washer and shut off the water supply. Pull trigger to release water pressure.
- Remove the nozzle from the spray wand.
NOTE: Never point the spray wand at your face.
- Using the nozzle cleaning tool provided, free any foreign materials clogging or restricting the nozzle.
- Using a garden hose, flush debris out of nozzle by back flushing (running the water through the nozzle backwards or from the outside to the inside).
- Reconnect the nozzle to the spray wand.
- Turn on the water supply and start the engine.

PUMP MAINTENANCE

We recommend having the pump oil changed every 100 hours to ensure longer life of the machine. This service should be performed by an authorized service center.

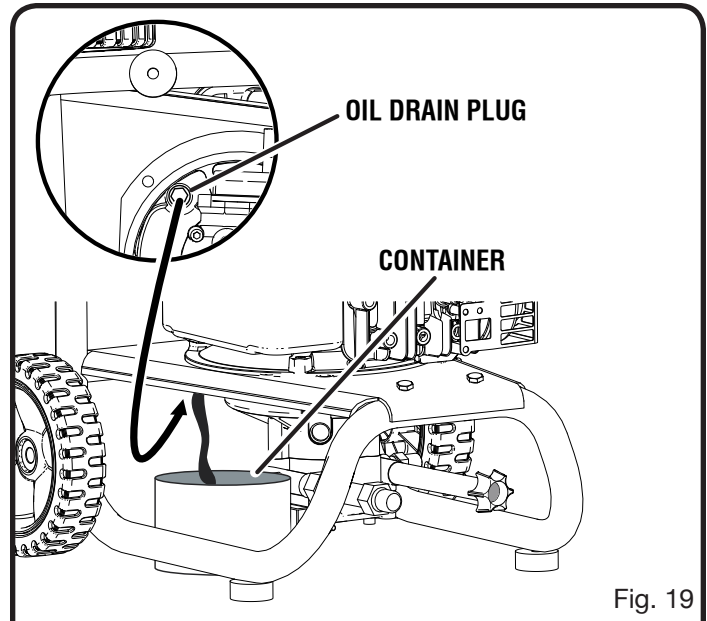


Fig. 19

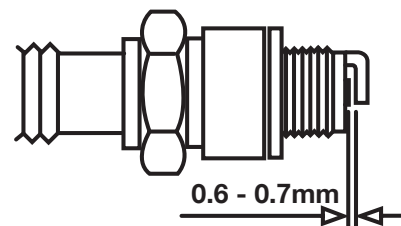


Fig. 20

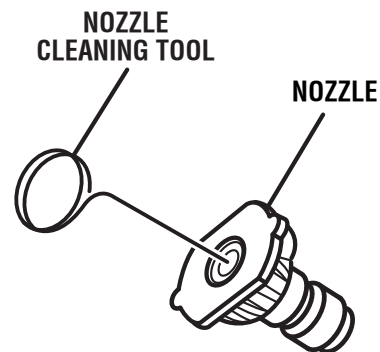


Fig. 21

MAINTENANCE

STORING THE PRESSURE WASHER

It is important to store this product in a frost-free area. Always empty water from all hoses, the pump, and the detergent bucket before storing.

NOTE: Use of a fuel stabilizer and pump saver will give you better performance and increase the life of the machine.

Discharge Fuel:

Drain the fuel tank completely. Stored gas can go stale in 30 days.

Engine Oil:

Drain the oil and replace with fresh, clean oil.

Spark Plug:

- Disconnect spark plug wire and remove the spark plug. Pour about a teaspoon of clean, air-cooled, four-cycle oil through the spark plug hole into the combustion chamber.
- Leaving the spark plug out, pull the starter cord two or three times to coat the inside of the cylinder wall.

- Inspect the spark plug and clean or replace, as necessary.
- Reinstall the spark plug, but leave the spark plug wire disconnected.

Air Filter:

- Clean the air filter.

Hoses and Pump:

Flush the injection hose with clean water for 1-2 minutes. Remove all hoses. Empty the pump by pulling on the recoil starter about 6 times. This should remove most of the liquid from the pump.

PREPARING FOR USE AFTER STORAGE

- Pull the recoil starter grip three or four times to clean oil from the combustion chamber.
- Remove spark plug from the cylinder. Wipe oil from the spark plug and return it to the cylinder.
- Reconnect the spark plug wire.
- Refuel the machine as described earlier in the operator's manual.

TROUBLESHOOTING

PROBLEM	CAUSE	SOLUTION
Engine fails to start	<ol style="list-style-type: none"> 1. No fuel in tank 2. Spark plug shorted or fouled 3. Spark plug is broken (cracked porcelain or electrodes broken) 4. Ignition lead wire shorted, broken, or disconnected from spark plug 5. Ignition inoperative 	<ol style="list-style-type: none"> 1. Fill tank 2. Replace spark plug 3. Replace spark plug 4. Replace lead wire or attach to spark plug 5. Contact authorized service center
Engine hard to start	<ol style="list-style-type: none"> 1. Water in gasoline 2. Weak spark at spark plug 	<ol style="list-style-type: none"> 1. Drain entire system and refill with fresh fuel 2. Contact authorized service center
Engine lacks power	<ol style="list-style-type: none"> 1. Dirty air filter 	<ol style="list-style-type: none"> 1. Clean or replace air filter
Detergent fails to mix with spray	<ol style="list-style-type: none"> 1. Detergent injection hose is not properly submerged 2. High pressure nozzle attached 	<ol style="list-style-type: none"> 1. Insert injection hose into detergent storage bucket 2. Use low pressure nozzle (black) to apply detergent
Pump doesn't produce pressure	<ol style="list-style-type: none"> 1. Low pressure nozzle installed 2. Inadequate water supply 3. Spray wand leaks 4. Nozzle is clogged 5. Pump is faulty 6. Air in line 	<ol style="list-style-type: none"> 1. Replace with high pressure nozzle 2. Provide adequate water flow 3. Check connections and / or replace wand 4. Clean nozzle 5. Contact authorized service center 6. Squeeze trigger on spray wand to remove air from line
Machine doesn't reach high pressure	<ol style="list-style-type: none"> 1. Diameter of garden hose is too small 2. Water supply is restricted 3. Not enough inlet water 4. Wrong nozzle is attached 	<ol style="list-style-type: none"> 1. Replace with 3/4 in. garden hose 2. Check garden hose for kinks, leaks, and blockages 3. Open water source full force 4. Attach the high pressure nozzle

WARRANTY

LIMITED NON-ENGINE WARRANTY STATEMENT

Techtronic Industries North America, Inc. warrants to the original retail purchaser that this HUSKY® brand pressure washer is free from defect in material and workmanship and agrees to repair or replace, at Techtronic Industries North America, Inc.'s discretion, any defective product free of charge within this time period from the date of purchase:

One year if the product is used for personal, family or household use.

This warranty extends to the original retail purchaser only and commences on the date of the original retail purchase.

Any part of this product found in the reasonable judgment of Techtronic Industries North America, Inc. to be defective in material or workmanship will be repaired or replaced, without charge for parts and labor, by an Authorized Service Center for HUSKY® brand pressure washers (Authorized HUSKY® Service Center).

The product, including any defective part, must be returned to an Authorized HUSKY® Service Center within the warranty period. The expense of delivering the product to the service center for warranty work and the expense of returning it back to the owner after repair or replacement will be paid for by the owner. Techtronic Industries North America, Inc.'s responsibility in respect to claims is limited to making the required repairs or replacements and no claim of breach of warranty shall be cause for cancellation or rescission of the contract of sale of any HUSKY® brand pressure washer. Proof of purchase will be required by the dealer to substantiate any warranty claim. All warranty work must be performed by an authorized Techtronic Industries North America, Inc. service center.

This warranty does not cover any product that has been subject to misuse, neglect, negligence, or accident, or that is used for rental or commercial purposes, or that has been operated in any way contrary to the operating instructions as specified in the Techtronic Industries North America, Inc. operator's manual. This warranty does not apply to any damage to the product that is the result of improper maintenance or to any product that has been altered or modified so as to adversely affect the products operation, performance or durability or that has been altered or modified so as to change its intended use. The warranty does not extend to repairs made necessary by normal wear or by the use of parts or accessories which are either incompatible with the HUSKY® brand pressure washer or adversely affect its operation, performance or durability.

In addition, this warranty does not cover:

- A. Tune-ups – Air filters, gas filters, spark plugs
- B. Wear items – Hoses, connector fittings, spray nozzles, wheels, spray wand

Techtronic Industries North America, Inc. reserves the right to change or improve the design of any HUSKY® brand pressure washer without assuming any obligation to modify any product previously manufactured.

ALL IMPLIED WARRANTIES ARE LIMITED IN DURATION TO THE STATED WARRANTY PERIOD. ACCORDINGLY, ANY SUCH IMPLIED WARRANTIES INCLUDING MERCHANTABILITY, FITNESS FOR A PARTICULAR PURPOSE, OR OTHERWISE, ARE DISCLAIMED IN THEIR ENTIRETY AFTER THE EXPIRATION OF THE APPROPRIATE ONE-YEAR, WARRANTY PERIOD. TECHTRONIC INDUSTRIES NORTH AMERICA, INC.'S OBLIGATION UNDER THIS WARRANTY IS STRICTLY AND EXCLUSIVELY LIMITED TO THE REPAIR OR REPLACEMENT OF DEFECTIVE PARTS AND TECHTRONIC INDUSTRIES NORTH AMERICA, INC. DOES NOT ASSUME OR AUTHORIZE ANYONE TO ASSUME FOR THEM ANY OTHER OBLIGATION. SOME STATES DO NOT ALLOW LIMITATIONS ON HOW LONG AN IMPLIED WARRANTY LASTS, SO THE ABOVE LIMITATION MAY NOT APPLY TO YOU. TECHTRONIC INDUSTRIES NORTH AMERICA, INC. ASSUMES NO RESPONSIBILITY FOR INCIDENTAL, CONSEQUENTIAL OR OTHER DAMAGES INCLUDING, BUT NOT LIMITED TO EXPENSE OF RETURNING THE PRODUCT TO AN AUTHORIZED HUSKY® SERVICE CENTER AND EXPENSE OF DELIVERING IT BACK TO THE OWNER, MECHANIC'S TRAVEL TIME, TELEPHONE OR TELEGRAM CHARGES, RENTAL OF A LIKE PRODUCT DURING THE TIME WARRANTY SERVICE IS BEING PERFORMED, TRAVEL, LOSS OR DAMAGE TO PERSONAL PROPERTY, LOSS OF REVENUE, LOSS OF USE OF THE PRODUCT, LOSS OF TIME, OR INCONVENIENCE, SOME STATES DO NOT ALLOW THE EXCLUSION OR LIMITATION OF INCIDENTAL OR CONSEQUENTIAL DAMAGES, SO THE ABOVE LIMITATION OR EXCLUSION MAY NOT APPLY TO YOU.

This warranty gives you specific legal rights, and you may also have other rights which vary from state to state.

This warranty applies to all HUSKY® brand pressure washer manufactured by Techtronic Industries North America, Inc. and sold in the United States and Canada.

To locate your nearest Authorized HUSKY® Service Center, dial 1-866-340-3912.

Free Manuals Download Website

<http://myh66.com>

<http://usermanuals.us>

<http://www.somanuals.com>

<http://www.4manuals.cc>

<http://www.manual-lib.com>

<http://www.404manual.com>

<http://www.luxmanual.com>

<http://aubethermostatmanual.com>

Golf course search by state

<http://golfingnear.com>

Email search by domain

<http://emailbydomain.com>

Auto manuals search

<http://auto.somanuals.com>

TV manuals search

<http://tv.somanuals.com>