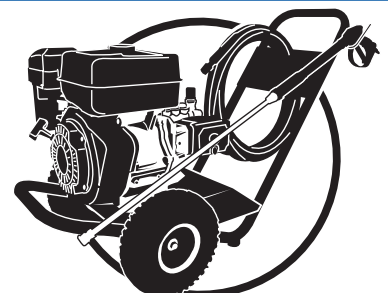




Operator's manual
5525PW, 6026PW, 9030PW, I335PW

Please read the operator's manual carefully and make sure you understand the instructions before using the machine.



English

CONTENTS

Contents

CONTENTS	1
Contents	1
KEY TO SYMBOLS	2
Symbols in the Operator's Manual	2
INTRODUCTION	3
Dear Customer	3
WHAT IS WHAT?	4
What is what on the pressure washer	4
FREQUENTLY ASKED QUESTIONS	5
How do I start my pressure washer?	5
What type of oil do I use?	5
Why don't I have any water pressure?	5
How do I get high pressure?	5
How do I get the soap suction to work?	5
Why doesn't the pressure washer apply detergents with high pressure?	5
What maintenance do I need to perform on my pressure washer?	5
Where can I buy accessories for my pressure washer?	5
SAFETY GUIDELINES	6
Important Safety Guidelines	6
PRE-OPERATION	8
Unpacking	8
Assembly	8
Trigger Safety Latch	10
OPERATION	11
1. Surface preparation	11
2. Start Up	11
3. Initial High Pressure Rinse	12
Pressure Adjustment	12
Adjusting the Spray Fan Angle	12
Angle to the Cleaning Surface	13
Distance from Cleaning Surface	13
How to Avoid Damaging Surfaces	13

4. Detergent Application	13
Detergents	13
General Cleaning Tips	14
5. Cleaning Power	14
6. Final Rinse	14
7. Shutdown	14
Pressure Relief Procedure	14
8. Storage	15
Long Term Storage Instructions (More than 30 days in storage)	15
Tips for Extending the Life of Your Pressure Washer	15
MAINTENANCE	16
Engine Oil Changing Instructions	16
Check Pump Oil and Pump Oil Changing ..	17
MAINTENANCE SCHEDULE	18
TECHNICAL AND CONSUMER INFORMATION	19
TROUBLESHOOTING CHART	20
CART PARTS LIST	23
5525PW Cart	23
6026PW Cart	24
9030PW Cart	25
1335PW Cart	25
PUMP PART LIST	26
5525PW Pump	26
6026PW Pump	27
9030PW Pump	28
1335PW Pump	28

KEY TO SYMBOLS

Safety Guidelines

This manual contains information that is very important to know and understand. This information is provided for SAFETY and to PREVENT EQUIPMENT PROBLEMS. To help recognize this information, observe the following symbols.

⚠ WARNING *Warning indicates a potentially hazardous situation which, if not avoided, COULD result in death or serious injury.*

⚠ CAUTION *Caution indicates a potentially hazardous situation which, if not avoided, MAY result in minor or moderate injury.*

ℹ NOTICE *Notice indicates important information, that if not followed, may cause damage to equipment.*

NOTE: Information that requires special attention.

Symbols in the Operator's Manual

Please read the operator's manual carefully and make sure you understand the instructions before using the tool.



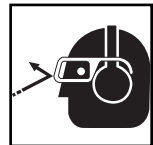
DO NOT overreach or stand on unstable support. Keep good footing and balance at all times.



Risk of injection or severe injury. Keep clear of nozzle.



ALWAYS wear safety glasses or goggles and protective equipment (hearing protection, gloves, rubber boots, protective clothing) when operating or performing maintenance.



Risk of explosion.



Risk of fire.



INTRODUCTION

Dear Customer,

Congratulations on your choice to buy a Husqvarna product! Husqvarna is based on a tradition that dates back to 1689, when the Swedish King Charles XI ordered the construction of a factory on the banks of the Husqvarna River, for production of muskets. The location was logical, since waterpower was harnessed from the Husqvarna River to create the water-powered plant. During the more than 300 years of being, the Husqvarna factory has produced a lot of different products, from wood stoves to modern kitchen appliances, sewing machines, bicycles, motorcycles, etc. In 1956, the first motor driven lawn mowers appeared, followed by chain saws in 1959, and it is within this area Husqvarna is working today.

Today, Husqvarna is one of the leading manufacturers in the world of forest and garden products, with quality as our highest priority. The business concept is to develop, manufacture and market motor driven products for forestry and gardening, as well as for the building and construction industry. Husqvarna's aim is also to be in the front edge according to ergonomics, usability, security and environmental protection. That is the reason why we have developed many different features to provide our products within these areas.

We are convinced that you will appreciate, with great satisfaction, the quality and performance of our product for a very long time to come. The purchase of one of our products gives you access to professional help with repairs and service whenever this may be necessary. If the retailer who sells your machine is not one of our authorized dealers, ask for the address of your nearest service workshop.

It is our wish that you will be satisfied with your product and that it will be your companion for a long time. Think of this operator's manual as a valuable document. By following its' content (using, service, maintenance, etc) the life span and the second-hand value of the machine can be extended. If you will sell this machine, make sure that the buyer will get the operator's manual.

Thank you for using a Husqvarna product.

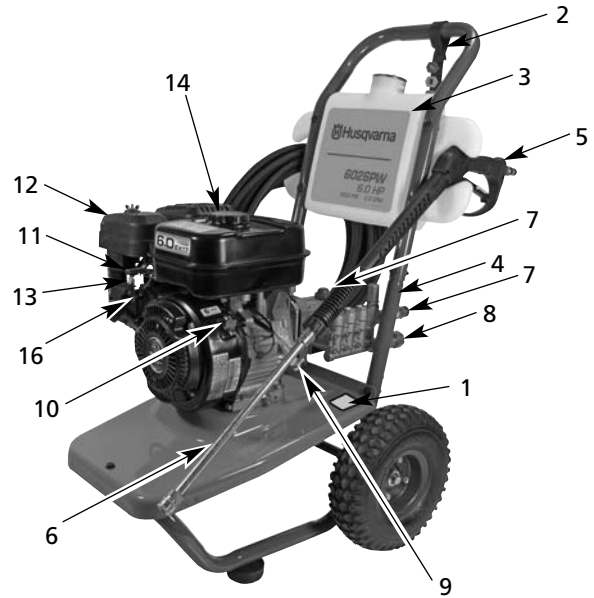
Husqvarna AB has a policy of continuous product development and therefore reserves the right to modify the design and appearance of products without prior notice.

For customer assistance call 704-921-7000 or contact us at our website: www.husqvarna.com

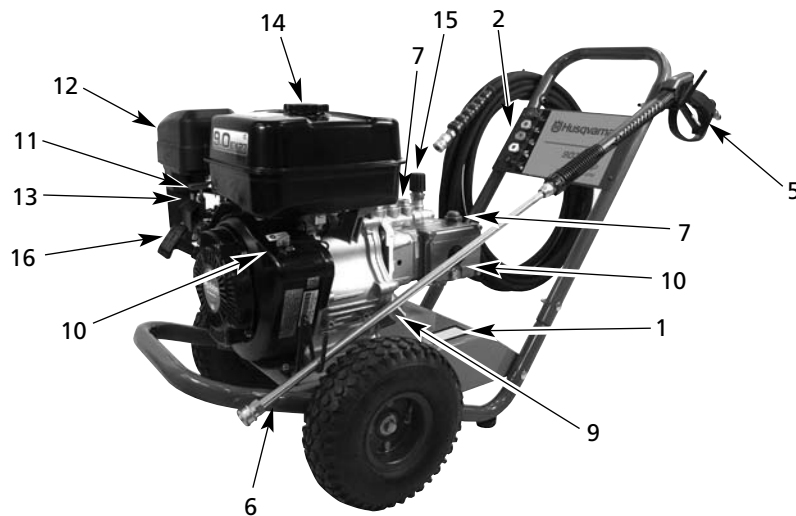
WHAT IS WHAT?



5525PW



6026PW



9030PW/1335PW*

- | | | | |
|---|---|----|--|
| 1 | Serial Number/Product Decal | 9 | Engine Oil Fill |
| 2 | Tip Holder with Spray Tips | 10 | Engine switch - On/Off |
| 3 | Detergent Tank (5525PW, 6026PW) | 11 | Throttle Control |
| 4 | Injection Tube (not shown) | 12 | Muffler |
| 5 | Gun with trigger | 13 | Choke |
| 6 | Lance | 14 | Fuel Tank |
| 7 | Inlet Connection for High Pressure Hose
(not shown on 9030PW/1335PW) | 15 | Pressure Adjusting Knob (models 9030PW,
1335PW) |
| 8 | Inlet Connection for Garden Hose
(not shown on 9030PW/1335PW) | 16 | Fuel Valve - On/Off |

FREQUENTLY ASKED QUESTIONS

How do I start my pressure washer?

1. Make sure you have gas and oil in the engine.
2. Turn the water on, then squeeze the trigger on the gun to make sure the water will flow smoothly out of the nozzle or tip.
3. Put the engine throttle control in the "Fast/Start" position. Set the fuel valve to "ON" Set the On/Off switch to "ON" (if applicable).
4. Close the choke.
5. Squeeze and hold the trigger (to relieve any back pressure in the pump) while pulling the starter cord.
6. If the engine does not start after three tries, see Troubleshooting Section (Pages 20-21).

What type of oil do I use?

ENGINE

THE ENGINE DOES NOT COME FILLED WITH OIL. For engine oil types and quantities refer to Pages 16 and 19 of this manual and also refer to the included engine owner's manual for oil changing instructions.

PUMP

See Page 17 for pump oil types and quantities. Please note the 5525PW model has a pump that is sealed and does not require service.

Why don't I have any water pressure?

- Is the water hose attached to the pressure washer?
- Is the water turned on?
- Check for any kinks, leaks, or blockage in the hoses, fittings, or the nozzle.
- Is the inlet filter screen free of debris? Check and remove debris if needed.
- Is the quick connect tip in place? (See Page 9.)

How do I get high pressure?

- Use any color tip except black. The black tip is only used for low pressure detergent application.

How do I get the soap suction to work?

For Detergent Tanks:

1. Attach clear plastic tube to plastic barb on detergent tank (see Figure 2).
2. Fill detergent tank with detergent formulated for use with pressure washers.
3. Install the black spray tip to apply low pressure detergent.

For Other Units:

1. Attach clear plastic tube to brass barb on pump (see Figure 3).
2. Put the other filter end of the clear tube into the detergent container.
3. Install the black spray tip to apply low pressure detergent.

Why doesn't the pressure washer apply detergents with high pressure?

The reason you don't apply detergents with high pressure is that the detergents "bounce" off the cleaning surface as fast as you apply them. Detergent is only effective when you allow it time to work on the surface of whatever you are cleaning. You can only apply detergent at low pressure, wait 1-3 minutes to allow it to work, and rinse the surface with high pressure.

What maintenance do I need to perform on my pressure washer?

1. After turning off the pressure washer and the water, depressurize the hose by triggering the gun.
2. Remove the garden hose and high pressure hose from the pump.
3. Pull the start rope slowly five times to purge water from the pump. This will help protect the pump from damage.
4. DO NOT store your pressure washer in an area where the temperature will drop below 32°F / 0°C unless pressure washer is properly winterized (see Page 15).

Where can I buy accessories for my pressure washer?

- Call your local Husqvarna Dealer.

SAFETY GUIDELINES

Important Safety Instructions

SAVE THESE INSTRUCTIONS

⚠ WARNING *The engine exhaust from this product contains chemicals known to the State of California to cause cancer, birth defects or other reproductive harm.*

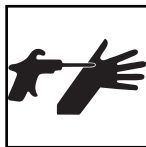
⚠ WARNING

When using this product, basic precautions should ALWAYS be followed, including the following:

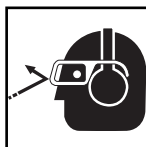
- Read all instructions before using the product.
- To reduce the risk of injury, close supervision is necessary when the product is used near children.
- Follow all safety codes as well as the Occupational Safety and Health Act (OSHA).
- Ensure safety devices are operating properly before each use. DO NOT remove or modify any part of the gun or unit.
- Know how to stop this product and bleed pressure quickly. Be thoroughly familiar with the controls.
- Stay alert – watch what you are doing.
- DO NOT operate the product when fatigued or under the influence of alcohol or drugs.
- Keep operation area clear of all persons.
- DO NOT overreach or stand on unstable support. Keep good footing and balance at all times.
- Follow the maintenance instructions specified in the manual.



⚠ WARNING *Risk of injection or severe injury. Keep clear of nozzle. DO NOT discharge streams at persons. This product is to be used only by trained operators. ALWAYS remove lance from gun before cleaning debris from tip.*



- Keep clear of nozzle. NEVER direct high pressure spray at a person, animal, or yourself.
- ALWAYS wear safety glasses or goggles and protective equipment (hearing protection, gloves, rubber boots, protective clothing) when operating or performing maintenance.
- NEVER put hand or fingers over the spray tip while operating the unit.
- NEVER try to stop or deflect leaks with any body part.



- ALWAYS engage the trigger safety latch in the safe position when spraying is stopped even if only for a few moments.
- ALWAYS follow detergent manufacturer's label recommendations for proper use of detergents. ALWAYS protect eyes, skin, and respiratory system from detergent use.

⚠ WARNING *DO NOT use pressure that exceeds the operating pressure of any of the parts (hoses, fittings, etc.) in the pressurized system. Ensure all equipment and accessories are rated to withstand the maximum working pressure of the unit.*



⚠ WARNING *Explosion hazard.*

- NEVER spray flammable liquids or use pressure washer in areas containing combustible dust, liquids, or vapors.
- NEVER operate this machine in a closed building or in or near an explosive environment.
- DO NOT remove fuel tank cap or fill fuel tank while engine is hot or running (allow engine to cool two minutes before refueling). ALWAYS fill the tank slowly.
- NEVER disconnect the high pressure discharge hose from the machine while the system is pressurized. To depressurize machine, turn power and water supply off, then press the gun trigger 2-3 times.
- NEVER permanently engage the trigger mechanism on the gun.
- NEVER operate the machine without all components properly connected to the machine (handle, gun/wand assembly, nozzle, etc.).

⚠ CAUTION *Keep hose away from sharp objects. Bursting hoses may cause injury. Examine hoses regularly and replace if damaged. DO NOT attempt to mend a damaged hose.*

NOTICE *Equipment damage.*

- ALWAYS turn water supply "ON" before turning pressure washer "ON." Running pump dry causes serious damage.
- DO NOT operate the pressure washer with the inlet water screen removed. Keep screen clear of debris and sediment.
- NEVER operate pressure washer with broken or missing parts. Check equipment regularly and repair or replace worn or damaged parts immediately.

SAFETY GUIDELINES

- Use only the nozzle supplied with this machine.
- NEVER leave the wand unattended while the machine is running.
- NEVER tamper with the engine governor or attempt to alter factory settings. Altering factory settings could damage the unit and will void the warranty.
- ALWAYS hold gun and wand firmly when starting and operating the machine.
- NEVER allow the unit to run with the trigger released (off) for more than two minutes. Resulting heat buildup will damage the pump.
- NEVER store the pressure washer outdoors or where it could freeze. Freezing temperatures can seriously damage the pump.
- Release the trigger when changing from high to low pressure modes. Failure to do so could result in damage to the nozzle.

PRE-OPERATION

UNPACKING

Remove the equipment and all parts from the carton. The carton should contain the following.

- One pressure washer (pump, engine, cart base).
- One cart handle assembly.
- One spray gun.
- One lance.
- Two spray tips for Model 5525PW
Five spray tips for Models 1335PW, 6026PW and 9030PW
- One high pressure hose.
- One pack of nuts, bolts, and manuals.
- One bottle of engine oil.

If any parts are missing, **Please contact your Husqvarna dealer.**

After unpacking the product, inspect it carefully for any damage that may have occurred during transit. Make sure to tighten fittings and bolts before using the pressure washer.

⚠WARNING *DO NOT operate the unit if it's damaged during shipping, handling, or use. Damage could result in bursting and cause injury or property damage.*

ASSEMBLY

Use 1/2" (13 mm) wrench to assemble pressure washer. On model 5525PW use two adjustable or 7/16" wrenches.

1. Slide the handle assembly over the lower legs of the cart base. Use the standard nut and bolt to secure the legs. See Figure 1.



Figure 1 - Assemble Handle

2. On models 5525W and 6026W connect clear plastic hose to hose barb on detergent tank (See Figure 2). On models 1335PW and 9030PW connect to brass barb on pump (See Figure 3).



Figure 2 - Connect detergent hose to detergent tank



Figure 3 - Connect detergent hose to brass barb

3. Secure garden hose (not included) to the inlet connection on pump (See Figures 4 and 5).

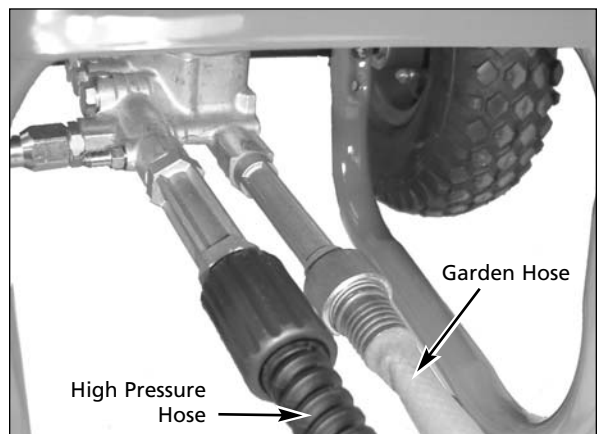


Figure 4 - Secure garden hose

PRE-OPERATION

4. Connect the high pressure hose to the pump outlet (See Figure 5).

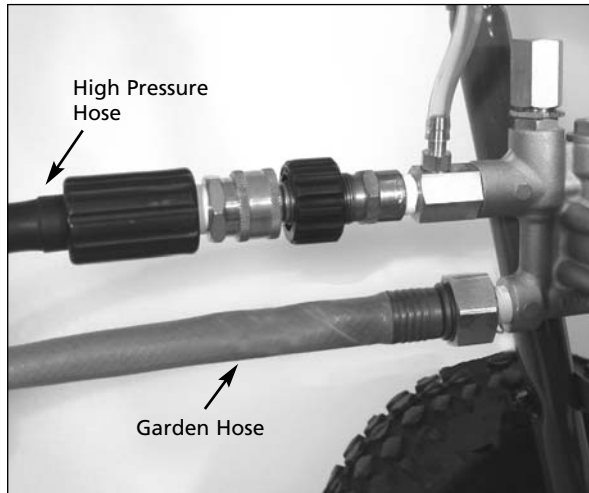


Figure 5 - Connect high pressure hose to pump

5. Attach the lance with nozzle to the gun (See Figure 6).



Figure 6 - Attach lance to gun

6. Install quick connect tip by pulling back on collar and pressing in tip. Release collar, make sure it completely returns to its forward position and tip is secure (See Figure 7).

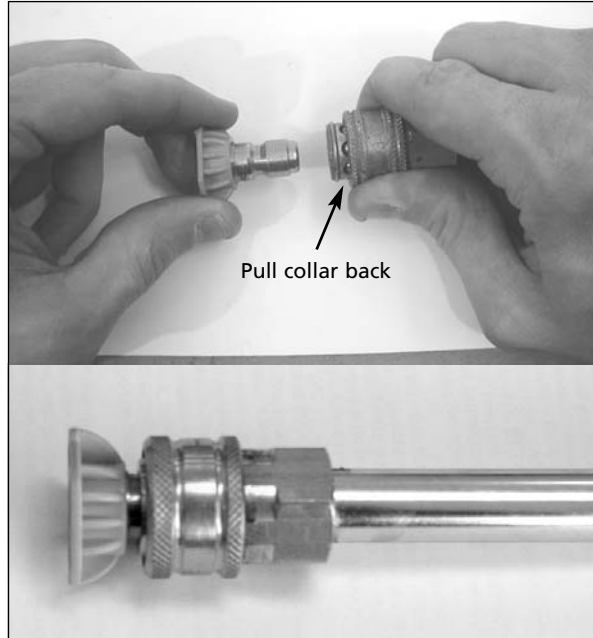


Figure 7 - Quick Connect Tip

For models 5525PW and 6026PW: Insert spray tips into the rubber tip holder. Then attached the tip holder to handle by wrapping around and inserting tail end through hole to secure (See Figure 8).

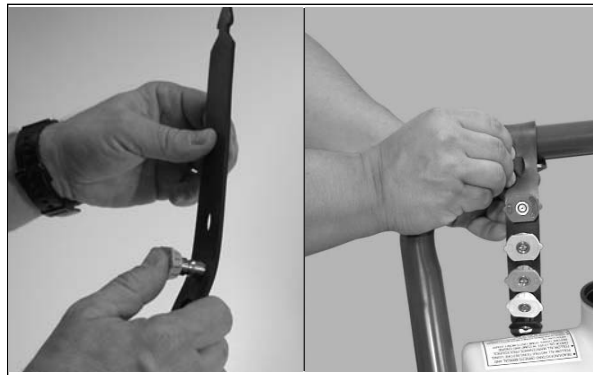


Figure 8 - Insert spray tips into the rubber tip holder

PRE-OPERATION

For models 9030PW and 1335PW: Insert spray tips into rubber grommets on placard (See Figure 9).



Figure 9 - Insert spray tips into the placard

TRIGGER SAFETY LATCH

In the engaged position, the trigger safety latch prevents the gun from being triggered accidentally. Pull the latch up to engage it (See Figure 10). ALWAYS engage the trigger safety latch when the unit is not in use.

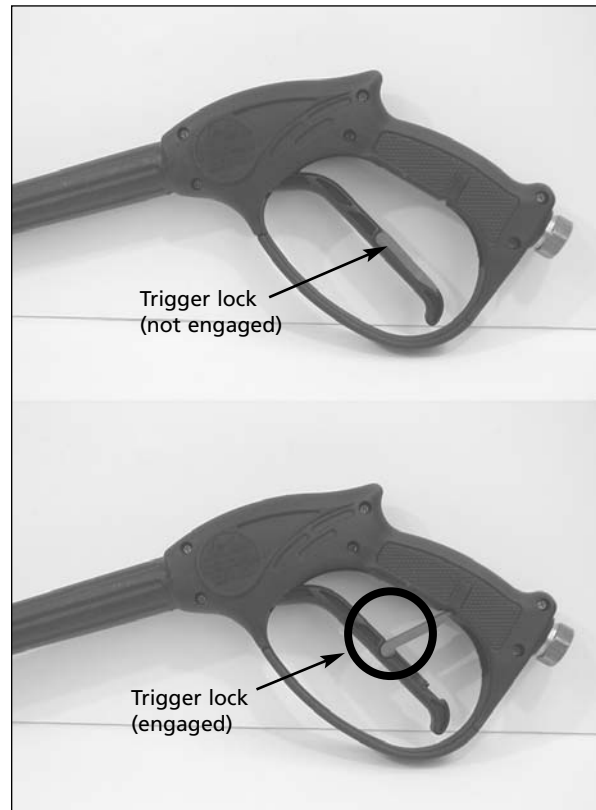


Figure 10 - Trigger lock

OPERATION

1. Surface Preparation

ALWAYS engage the trigger safety latch when unit is not in use. The following cleaning procedure will help you organize your cleaning task and ensures that you will achieve the best results in the shortest amount of time. Remember to use the spraying / cleaning techniques mentioned in the following section.

Before starting a pressure washer cleaning job, prepare the surface you intend to clean. Clear furniture from the area and make sure that all windows and doors are closed tightly. Also, protect all plants and trees near the cleaning area with a drop cloth. A covering ensures that your plants won't be sprayed by the detergents.

2. Start Up

ALWAYS use this start up procedure to ensure that the unit is started safely and properly.

NOTICE *If water has frozen in the pressure washer, thaw the pressure washer in a warm room before starting. DO NOT pour hot water on or into the pump; internal parts will be damaged.*

1. Check engine oil levels. Add oil as necessary.

NOTE: Some units are equipped with a low oil sensor that shuts the engine off if the oil level falls below a certain level. If the unit stops unexpectedly, check both the oil and fuel levels. Check the oil level each time you refuel the unit.

2. Check fuel level. Add unleaded gasoline (rated 86 octane or higher) as required.

AWARNING *DO NOT refuel a hot engine. Refueling a hot engine could cause a fire. Use only fresh, clean unleaded gasoline. Close the fuel shutoff valve during refueling.*



3. Attach a garden hose to the inlet connection for garden hose and connect it to the water supply. Use a hose with a minimum inside diameter of 5/8" (.016 m) and a length of 50 ft. (15 m) or less.

NOTICE *Some local plumbing codes require backflow prevention when connecting to a fresh water supply. Install a backflow preventer upstream from the pump if necessary.*

- a. If inlet water pressure is over 100 psi, install a regulating water valve at the garden hose connection.
- b. DO NOT exceed 100° F (38° C) inlet water temperature.

NOTE: The inlet water supply must have a minimum flow rate of 8 gpm (30 lpm) or 5 gpm (19 lpm) on 5525PW.

4. Turn the water supply ON.

NOTICE *NEVER run the unit dry. Be sure the water supply is completely turned on before operating the unit.*

5. Squeeze the gun until water sprays from the tip indicating that all air is purged from the system. Set the trigger safety latch.

6. **On model 5525PW: Honda GC Engine:**
Open the fuel shutoff valve by turning the knob counterclockwise until it stops. Close the choke (if engine is cold) by pulling the choke lever out. The throttle is fixed.

On models 6026PW and 9030PW - Robin/Subaru Engines:

Open the fuel shutoff valve by turning the lever to the downward position. Close the choke (if the engine is cold) by moving the choke lever fully to the left. Move the throttle fully to the left to the "RUN" or "RABBIT" position. Turn the On/Off switch to the "ON" position

On model 1335PW - Honda GX engine:

Open the fuel shutoff valve by pushing the lever to the right. Close the choke (if the engine is cold) by moving the choke lever fully to the left. Move the throttle fully to the "RUN" or "RABBIT" position. Turn the On/Off switch to the "ON" position.

7. **Start the engine:**

If the engine is cold, completely close the engine choke.

If the engine is warm, leave the choke open or just partially closed. Unlock the trigger safety latch on the gun. Grasp the starter rope and brace one foot on the chassis. While squeezing the trigger on the gun, pull the starter rope rapidly and firmly. Continue holding the rope as it returns. Repeat these steps until the engine starts. In cool weather, the choke may have to be kept closed for 10 to 30 seconds to keep the engine running. Otherwise, open the choke as soon as the engine starts.

CAUTION *When pulling the starter rope, make sure to keep your hand and arm clear of the engine and cart components.*

NOTICE *NEVER let the starter rope return by itself. Doing so could jam the recoil system.*

OPERATION

3. Initial High Pressure Rinse

After the engine starts, trigger the gun 3 to 5 times to get any trapped air out of the system. After the spray becomes constant, you may need to adjust the pressure (see pages 13 and 14 for cleaning techniques).

PRESSURE ADJUSTMENT

Models 9030PW and 1335PW have a pressure adjustment knob located on the pump (see Figure 11). Turn the knob clockwise to increase the pressure. Turn the knob counter clockwise to decrease the pressure. DO NOT try and force the knob to turn. The knob may already be at either the lowest or highest setting.

If there is not a plastic adjustment knob located on the pump (See Figure 11), then the pressure cannot be adjusted. The only way to adjust the pressure is to move closer or further away from the cleaning surface and adjust the spray fan angle as shown in the next section.

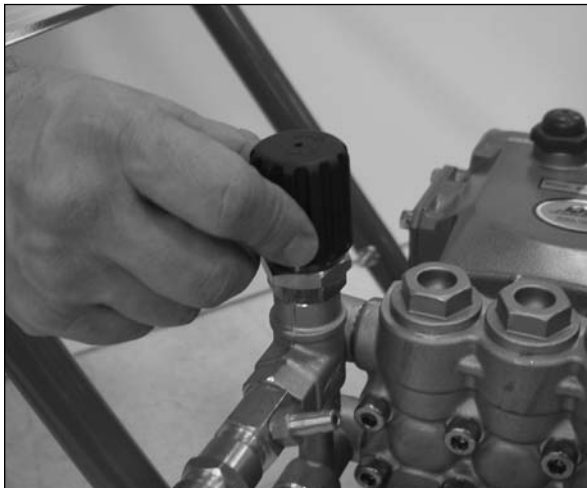


Figure 11 - Camshaft pump pressure adjustment

ADJUSTING THE SPRAY FAN ANGLE

Your unit has quick connect tips that have a range of spray fan angles. Model 5525PW includes the black detergent and yellow 15° quick connect tips only.

The quick connect tips can be switched out from a 0° narrow high impact stream to a 65° wide fan spray.

The color of the tip shows what spray angle it is:

Red – 0° – Maximum Duty

Yellow – 15° – Heavy Duty

Green – 25° – General Duty

White – 40° – Light Duty

Black – 65° – Low Pressure Detergent

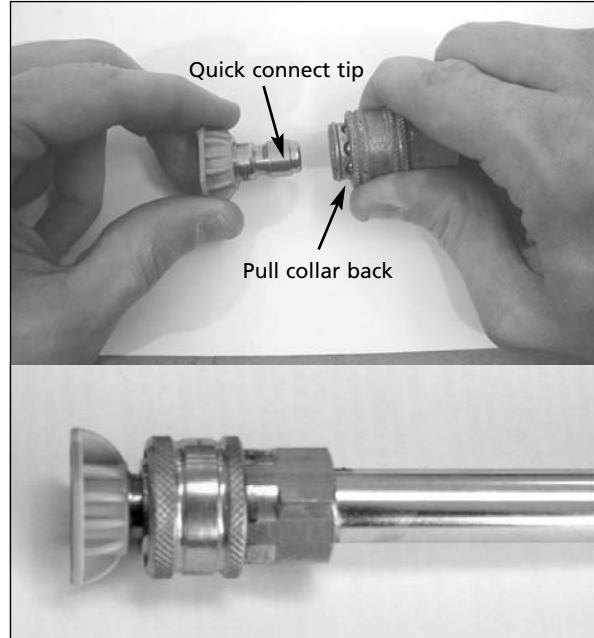


Figure 12 - Installing Quick Connect Tip

A narrow stream has high impact force on the cleaning surface and results in maximum deep cleaning in a concentrated area. However, this narrow high impact spray can damage some surfaces, so use it cautiously. Not recommended for use on automotive paint, trim and vinyl siding.

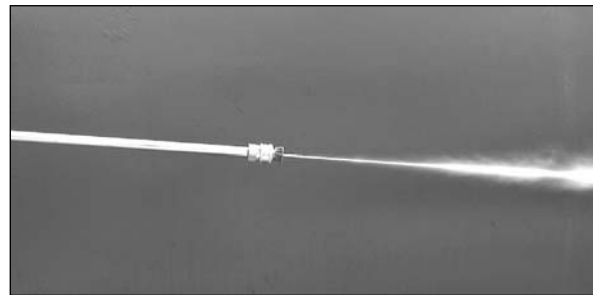


Figure 13 - Narrow high impact stream

A wide fan pattern will distribute the impact of the water over a larger area resulting in excellent cleaning action with reduced risk of surface damage. Clean large surface areas quickly using a wide fan pattern.

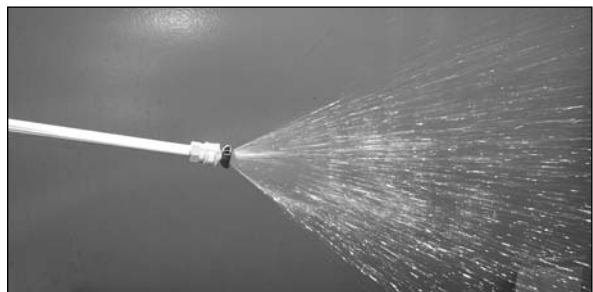


Figure 14 - Wide fan pattern

OPERATION

ANGLE TO THE CLEANING SURFACE

When spraying water against a surface, you can generate maximum impact by striking the surface head on. However, this type of impact can cause dirt particles to embed in the surface and can prevent the desired cleaning action.

Spray water against a surface at a 45 degree angle to achieve the most beneficial impact force and to efficiently remove debris.



Figure 15 - Optimum angle to cleaning surface

DISTANCE FROM CLEANING SURFACE

The distance between the spray nozzle and the cleaning surface is another factor that affects the impact force of the water. The impact force of the water increases as the nozzle is moved closer to the surface.

HOW TO AVOID DAMAGING SURFACES

Damage to cleaning surfaces occurs because the impact force of the water exceeds the durability of the surface. You can vary the impact force by controlling the spray tip angle to the cleaning surface and the distance from the cleaning surface and by changing the spray tip. NEVER use a narrow high impact stream on a surface that is susceptible to damage. Avoid spraying windows with a narrow high impact stream. Doing so may break the window. The most sure way to avoid damaging surfaces is to follow these steps:

1. Before triggering the gun, make sure the quick connect tip you are using is appropriate for the application.

The color of the tip shows what spray angle it is:

Red – 0° – Maximum Duty

Yellow – 15° – Heavy Duty

Green – 25° – General Duty

White – 40° – Light Duty

Black – 65° – Low Pressure Detergent

2. Place the spray tip approximately 4-5 feet (1,22-1,52 m) away from the cleaning surface. Then hold the lance and spray tip at a 45 degree angle to the cleaning surface. Trigger the gun.
3. Vary the fan pattern spray angle and the distance to the cleaning surface until optimum cleaning efficiency is achieved without damaging the surface.

4. Detergent Application

NOTE: Use only detergents formulated for pressure washers.

NOTE: Test detergent in an inconspicuous area before use.

AWARNING NEVER replace quick connect tip when gun is triggered.

DETERGENTS

The use of detergents can dramatically reduce cleaning time and assist in the removal of difficult stains. Many detergents are customized for pressure washer use on specific cleaning tasks. Pressure washer detergents are as thick as water. Using thicker detergents – like dish soap – will clog the chemical injection system and prevent the application of the detergent.

Once applied to a cleaning surface, detergents take time to break down dirt and grime. Detergents work best when applied at low pressure.

You can effectively clean surfaces by combining the chemical action of detergents with high pressure rinses. On vertical surfaces, apply the detergent starting at the bottom and work your way upward. This method prevents the detergent from sliding down and causing streaks. Begin high pressure rinsing at the bottom and work your way upward.



Figure 16 - Quick Connect Tip

OPERATION

On particularly tough stains, use a brush in combination with detergents and high pressure rinsing.

1. Follow manufacturer's label directions for mixing correct concentrations of soap/detergents. The soap detergent to water ratio through the pump is approximately 10% (1 to 10).
2. Insert the filter end of the clear plastic detergent tube into the detergent container (Models 9030PW and 1335PW).
3. Use the BLACK 65° quick connect spray tip (all models) (See Figure 16).

GENERAL CLEANING TIPS

1. Apply the detergent so that it thoroughly covers the cleaning surface. Apply the detergent from bottom to top to prevent the detergent from sliding down and streaking. Wait a couple of minutes for the detergent to break down the dirt and grime. Use a brush to lightly scrub heavily soiled areas. NEVER allow the detergent to dry on the cleaning surface.
2. Replace black 65° quick connect tip with another color tip.

⚠WARNING NEVER replace quick connect tip when gun is triggered.

3. After using detergents, flush the suction system by placing the detergent suction tube into a bucket of clean water.

5. Cleaning Power

The easiest way to regulate the cleaning power of your pressure washer is by changing the distance from the surface you are cleaning. Begin spraying with a wide fan pattern while standing several feet from the surface. Slowly move closer to the object you are cleaning, adjusting the spray pattern as necessary, until you find the most effective cleaning technique.

NOTE: Some units also may have a pressure adjustment knob on the pump that can adjust the pressure (models 9030PW and 1335PW).

6. Final Rinse

The final rinse should start at the bottom and work upward. Make sure that you thoroughly rinse the surface and that you remove all detergent.

PRESSURE RELIEF PROCEDURE

To reduce the risk of bodily injury or property damage, ALWAYS follow this procedure whenever spraying is stopped, when work is completed, and before checking or repairing any part of the system.

1. Engage the trigger safety latch.
2. Turn the unit off.
3. Shut off the water supply.
4. Disengage the trigger safety latch and trigger the gun to relieve pressure.
5. Re-engage the trigger safety latch.
6. Before overnight storage, long term storage, or transporting unit, disconnect the water supply and turn off the fuel supply valve.

7. Shutdown

1. Be sure all detergent is flushed from system.
2. Turn the engine OFF.
3. Turn the water supply OFF.
4. After the engine and water supply are turned OFF, trigger the gun to depressurize the system.

NOTICE NEVER turn the water supply off before turning the engine/motor off. Serious damage could occur to the pump and/or engine/motor.

⚠CAUTION NEVER disconnect the high pressure discharge hose from the machine while the system is pressurized. To depressurize, turn engine/motor off, turn water supply off and squeeze gun trigger 2-3 times.

5. After each use, when engine has cooled, wipe all surfaces of the pressure washer with a clean, damp cloth.
- DO NOT store the pressure washer outdoors.
 - DO NOT store the pressure washer where it might freeze unless it has been properly winterized.

OPERATION

8. Storage

LONG TERM STORAGE INSTRUCTIONS (MORE THAN 30 DAYS IN STORAGE)

1. Remove fuel from the tank and run the pressure washer in a normal operating mode until the engine stops from a lack of fuel. Normal operating mode means actually spraying water from the gun while the engine is running.

Alternate method – Add fuel stabilizer to gas in the tank and run in normal operating mode for at least five minutes.

2. Stop the engine, turn off the water supply, and trigger the gun to release pressure in the high-pressure hose.
3. Disconnect the water supply and high pressure hose from the pump.
4. Allow the engine to cool.
5. Disconnect the spark plug wire and remove the spark plug.
6. Pour 1/2 oz. of engine oil into the spark plug hole.

WARNING *NEVER pull the starter rope on the engine when the spark plug is removed unless the spark plug hole is covered. Fuel vapor from the hole can ignite by a spark.*



7. Place a rag over the spark plug hole and slowly pull the starter rope several times to distribute the oil.
8. Disconnect the high pressure hose from the pump.
9. Insert a 12" to 14" piece of garden hose into the pump inlet.

10. Place a funnel in the other end of the garden hose.

NOTICE *Read the manufacturer's instructions for safe handling and disposal of RV antifreeze.*

11. Pour approximately 6 oz. of RV antifreeze into the funnel.
12. Pull the starter rope several times until the RV antifreeze comes out of the pump outlet.
13. Disconnect the high pressure hose from the gun and drain the hose. Hold the gun and lance in a vertical position and squeeze the trigger to drain the water.

CAUTION *Never store the pressure washer with gasoline in the tank inside a building where fumes may reach an open flame or spark. Allow the engine to cool before storing in any enclosure.*

NOTE: To winterize unit, please follow the same instructions for Storage.

TIPS FOR EXTENDING THE LIFE OF YOUR PRESSURE WASHER

- NEVER operate the unit without water.
- Your pressure washer is not meant to pump hot water. NEVER connect your pressure washer to a hot water supply as it will significantly reduce the life of the pump.
- Running the unit for more than two minutes without spraying water causes heat to build up in the pump. Running the unit without spraying water can damage pump components.
- Release the trigger prior to switching the lance between high and low pressure. Failure to do so may reduce the life of the o-rings in the lance.

MAINTENANCE

Observe regular maintenance intervals to ensure maximum performance and life from the pressure washer. Refer to the schedule for recommended maintenance. If you operate the pressure washer in dusty conditions, perform maintenance checks more often.

ENGINE OIL CHANGING INSTRUCTIONS

CAUTION Before tipping the engine or equipment to drain oil, drain fuel from the fuel tank.

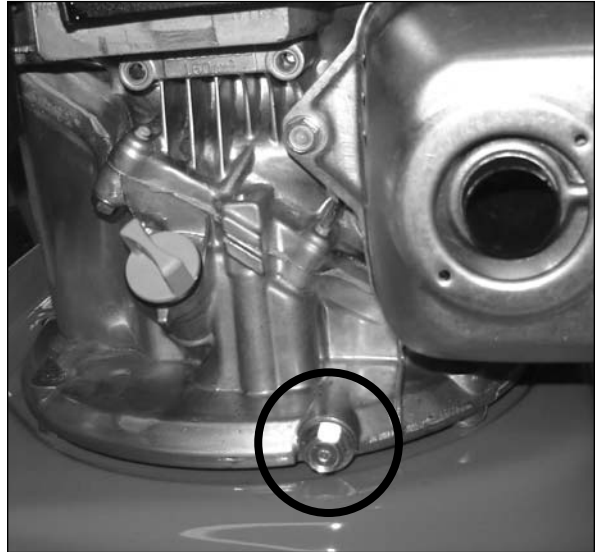
NOTE: Change oil while the engine is cool.

1. Disconnect the spark plug wire from the spark plug.
2. Locate and remove the engine oil drain plug (see Figure 18).
3. Drain old oil.
4. Replace the drain plug and set the unit upright.
5. Refill the unit with new oil of a recommended type and quantity. Fill the unit to the proper level shown on the dipstick (if provided). Otherwise, fill the unit to the top of the oil filler neck.

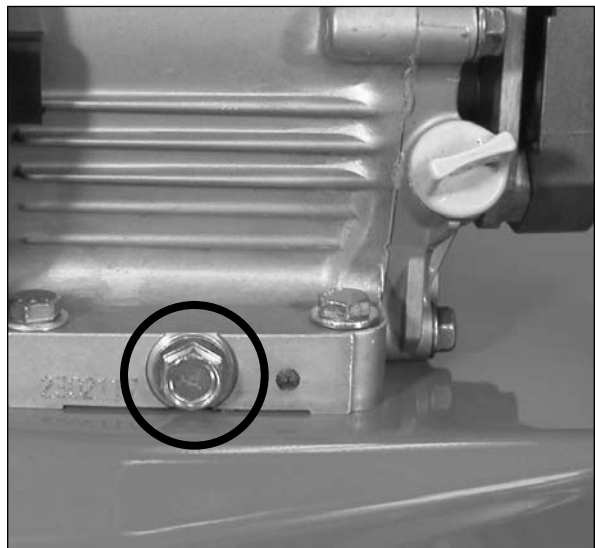
Engine Oil Type SAE 10W-30
SAE 30W (Above 60 °F/15.7° C)

Engine Oil Capacity

5525PW - Honda GCV160 - 18.6 fl. oz. (0.550 L)
6030PW - Subaru EX17 - 20 fl. oz. (0.591 L)
9030PW - Subaru EX27 - 37 fl. oz. (1.09 L)
1335PW - Honda GX390 - 37 fl. oz. (1.09 L)



Model 5525PW - Engine Oil Drain Plug



Models 1335P, 6026PW, and 9030PW - Engine Oil Drain Plug

Figure 18

MAINTENANCE

CHECKING PUMP OIL AND PUMP OIL CHANGING

Checking oil level: Most pumps have either a sight glass or a dipstick (or both) to check the pump oil level. The correct oil level is at the center of the sight glass (center of red dot). The sight glass is usually located on the back side of the pump [See Figure 19 (B)].

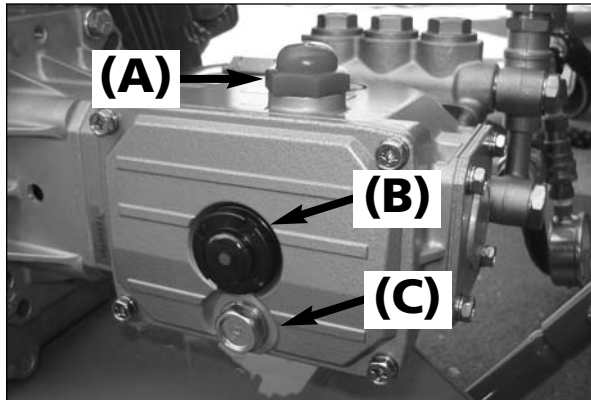


Figure 19 - Pump Oil Filler Vent Cap (A), Sight Glass (B), and Drain Plug (C) Locations

For model 5525PW: Pump is factory sealed. Changing or refilling the oil in the pump requires removal of the pump from the engine and should not be required unless oil has leaked out due to worn or damaged oil seals in the pump. If oil has leaked out of the pump, bring the pressure washer to a certified service center for repair.

For models 6026PW, 9030PW, and 1335PW: These units all have a sight glass to check the oil level and have a drain plug to remove the old oil when changing. To add oil remove vent cap from top of pump [See Figure 19 (A)].

Changing oil: Remove the oil drain plug located at the backside of the pump [See Figure 19 (C)]. Drain old oil. Replace drain plug. Refill pump with the correct type and amount of oil (see below for oil types and amounts). Check oil level. Upon starting the pressure washer check for any pump oil leaks.

Pump Oil Type

5525PW - AR Pump - Special. See pump parts list.

6030PW, 9030PW, 1335PW - CAT Pumps - Special CAT pump oil. Use 531 30 74-83.

DO NOT use any oil in pumps other than the manufacturer's oil.

MAINTENANCE SCHEDULE

Maintenance Schedule	Action needed
Each use	<ul style="list-style-type: none">• Check water inlet screen and filter.• Check engine and pump oil levels. Fill as necessary. Cannot check pump oil on the 5525PW.• Check gasoline level. Fill as necessary.
After first 5 hours of operation	<ul style="list-style-type: none">• Change engine break-in oil. Use SAE30 or 10W-30 detergent oil if below 60° F (15.7° C).
After first 50 hours of operation	<ul style="list-style-type: none">• Change pump oil. Cannot check or change pump oil on the 5525PW.
Every 25 hours of operation	<ul style="list-style-type: none">• Change engine oil if operating under heavy load or high ambient temperature.• Remove and clean foam pre-cleaner or foam air filter (if applicable). Wash with water and mild detergent. Dry thoroughly. Rub with oil and squeeze to distribute oil.
Every 50 hours of operation	<ul style="list-style-type: none">• Change engine oil.• Replace spark plug.
Each 100 hours of operation or every 3 months	<ul style="list-style-type: none">• Clean or replace paper air cleaner cartridge. Tap gently to remove dirt.• Change engine oil.
Every 500 hours of operation (5 months)	<ul style="list-style-type: none">• Change pump oil. Cannot check or change pump oil on the 5525PW.

NOTE: This is a general maintenance schedule. Refer to the Engine operation manual for specific information on your engine.

TECHNICAL AND CONSUMER INFORMATION

Pressure Washers

Engine Oil Type SAE 10W-30
SAE 30W (Above 60 °F/15.7° C)

Engine Oil Capacity
5525PW - Honda GCV160 - 18.6 fl. oz. (0.550 L)
6030PW - Subaru EX17 - 20 fl. oz. (0.591 L)
9030PW - Subaru EX27 - 37 fl. oz. (1.09 L)
1335PW - Honda GX390 - 37 fl. oz. (1.09 L)

Engine Fuel Capacity
5525PW - Honda GCV160 - 0.29 gal (1.09 L)
6030PW - Subaru EX17 - 0.95 gal (3.6 L)
9030PW - Subaru EX27 - 1.61 gal (6.1 L)
1335PW - Honda GX390 - 1.72 gal (6.5 L)

Pump Oil Type
5525PW - AR Pump - Special. See pump parts list.
6030PW, 9030PW, 1335PW - CAT Pumps - Special CAT pump oil. See pump parts list.
DO NOT use any oil in pumps other than the manufacturer's oil.

Pump Oil Capacity
5525PW - AR RM Pump - 3.5 oz. (0.103 L)
6030PW - CAT 3DX Pump - 8.5 oz. (0.251 L)
9030PW and 1335PW - CAT 66DX Pump - 18 oz. (0.532 L)

Pump Detergent Suction
Water to detergent ratio (5525PW) 8 to 1 (12% detergent)
Water to detergent ration (6026PW, 9030PW, 1335PW) 10 to 1 (10% detergent)

Water Supply Requirements
Minimum inlet pressure 20 psi
Maximum inlet pressure 100 psi
Maximum inlet temperature 100° F / 38° C
Minimum inlet flow rate
Use 5525PW 5 gpm (18.9 lpm)
6026PW, 9030PW, 1335PW 2 times the rated flow of unit or 8 gpm (30.3 lpm)
Inlet garden hose size 5/8" ID (15.9 mm)
Maximum inlet garden hose length 50 ft. (15,2 m)

TROUBLESHOOTING CHART

Troubleshooting Chart - Gasoline Powered Pressure Washers Only

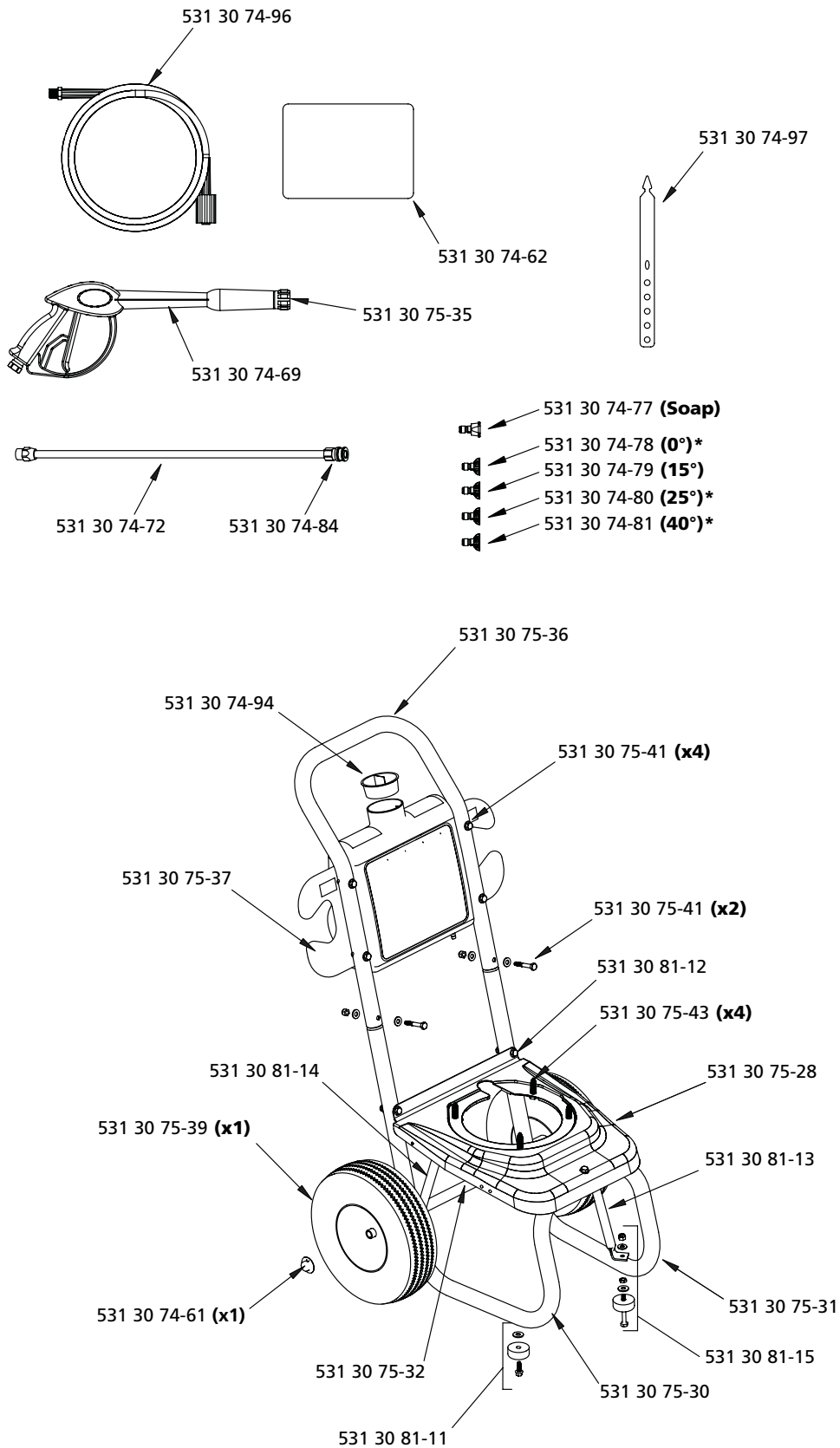
Symptom	Possible Cause(s)	Corrective Action(s)
Engine will not start or is hard to start	<ol style="list-style-type: none"> No gasoline in fuel tank or carburetor Low oil Start/Stop switch in stop position Water in gasoline or old fuel Dirty air cleaner filter Spark plug dirty, wrong gap or wrong type Spray gun closed Other causes 	<ol style="list-style-type: none"> Fill the tank with gasoline, open fuel shut off valve. Check fuel line and carburetor Check oil level. Fill if necessary Move switch to start position Drain fuel tank and carburetor. Use new fuel and dry spark plug Remove and clean or replace Clean, adjust the gap, or replace Trigger spray gun See engine owner's manual
Engine misses or lacks power	<ol style="list-style-type: none"> Partially plugged air cleaner filter Spark plug dirty, wrong gap or wrong type Bad Fuel 	<ol style="list-style-type: none"> Remove and clean or replace Clean, adjust the gap, or replace Drain fuel and carburetor. Use new fuel.
Low pressure and/or pump runs rough	<ol style="list-style-type: none"> Worn or wrong size tip Inlet filter on pump clogged Worn water seals, abrasives in water, or natural wear Fouled or dirty inlet or discharge valves Restricted inlet Worn inlet or discharge valves Leaking high pressure hose Pump drawing in air Unloader valve seat faulty or worn Inlet water temperature too high 	<ol style="list-style-type: none"> Replace with tip of proper size Clean. Check more frequently Check filter. Replace water seals. See service center Clean inlet and discharge valve assemblies. Check filter Check garden hose, may be collapsed or kinked. Check inlet water flow Replace worn valves Replace high pressure hose Ensure hoses and fittings are tight Check and replace Check water temperature; may not exceed 100° F / 38° C
Water leakage from under pump manifold	Worn water seals	Install new water seals. See service center
Water in pump crankcase (milky oil)	<ol style="list-style-type: none"> Humid air condensing inside crankcase Oil seals leaking Water seals leaking 	<ol style="list-style-type: none"> Change oil as specified in maintenance schedule Install new oil seals. See service center Install new water seals. See service center
Frequent or premature failure of the pump water seals	<ol style="list-style-type: none"> Scored damaged or worn plungers Abrasive material in the fluid Inlet water temperature too high Overpressurizing pump Excessive pressure due to partially plugged or damaged tip Pump running too long without spraying Pump running dry 	<ol style="list-style-type: none"> Install new plungers. See service center Install proper filtration on pump inlet plumbing Check water temperature; may not exceed 100° F / 38° C DO NOT modify any factory set adjustments Clean or replace tip NEVER run pump more than 2 minutes without spraying DO NOT run pump without water
Strong surging at the inlet and low pressure	Foreign particles in the inlet or discharge valve or worn inlet and/or discharge valves	Clean or replace valves. See service center

TROUBLESHOOTING CHART

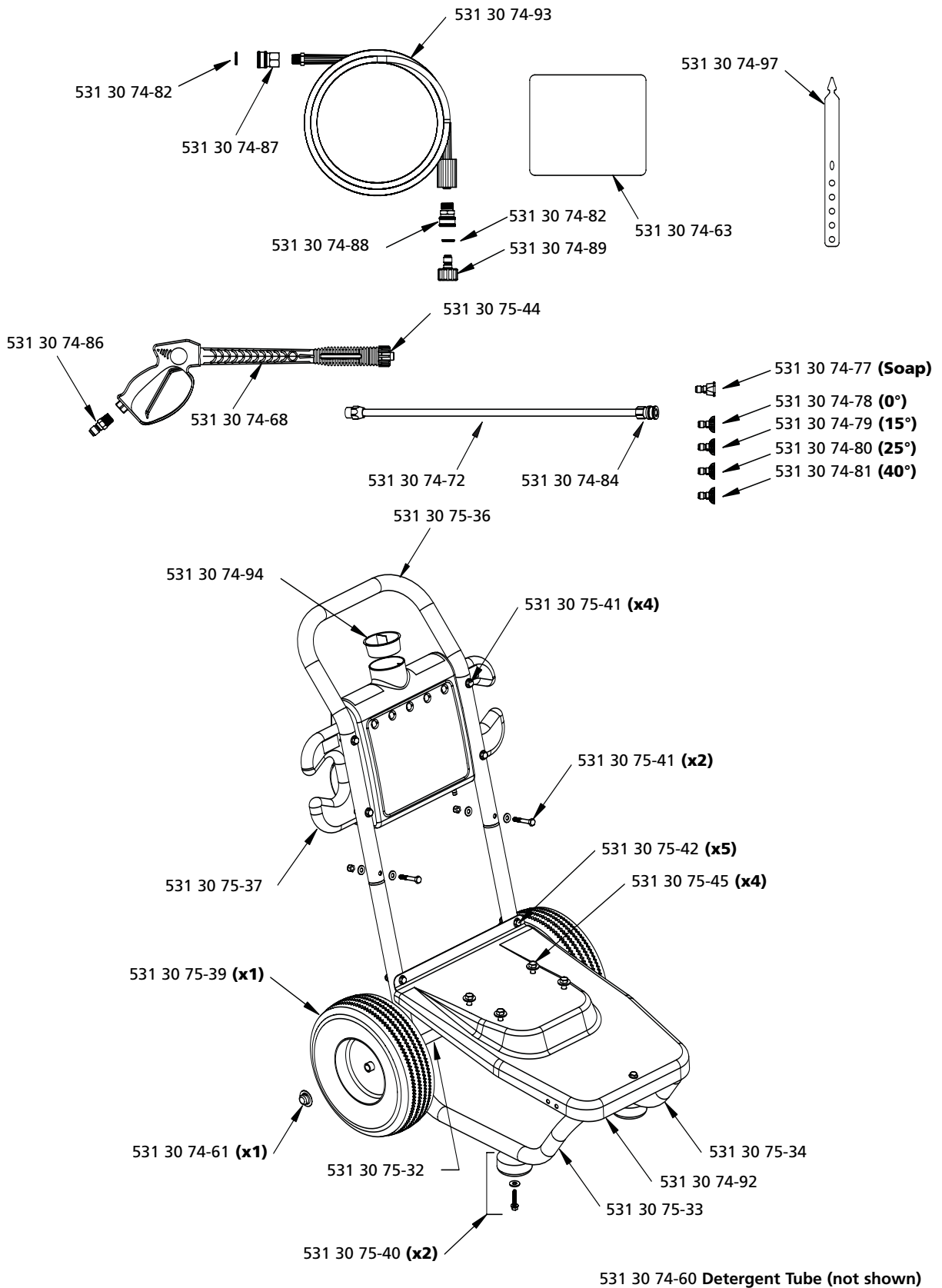
Symptom	Possible Cause(s)	Corrective Action(s)
Oil leakage between the engine and the pump	Worn oil seals and/or o-ring	Replace oil seals and/or o-ring. See service center
Fluctuating pressure	<ol style="list-style-type: none"> 1. Low engine oil 2. Pump valve worn, dirty or stuck 3. Pump drawing in air 4. Tip clogged 	<ol style="list-style-type: none"> 1. Add oil. 2. Check and replace 3. Ensure hoses and fittings are tight. Purge air from garden hose 4. Check or replace
Pressure drops after period of normal use	<ol style="list-style-type: none"> 1. Worn pump water seals 2. Spray tip worn 3. Pump valve worn, dirty or stuck 4. Unloader valve seat worn or dirty 5. If using high pressure soap lance accessory; nozzle in low PSI position 	<ol style="list-style-type: none"> 1. Check and replace 2. Check and replace 3. Check, clean or replace 4. Check, clean or replace 5. Pull back nozzle to high pressure position
Pump noisy / pump runs rough	<ol style="list-style-type: none"> 1. Pump drawing in air/low water supply 2. Valves dirty or worn 3. Worn bearings 4. Water too hot 	<ol style="list-style-type: none"> 1. Ensure fittings are tight. Increase water pressure 2. Check, clean or replace 3. Check and replace 4. Reduce temperature below 100°F / 38°C
Pressure washer will not spray detergent	<ol style="list-style-type: none"> 1. Not using quick connect detergent tip 2. Clog, kink, or hole in detergent suction hose 3. High pressure hose length too long 4. Detergent injector clogged 	<ol style="list-style-type: none"> 1. Use black quick connect detergent tip 2. If clean, unkink or replace hose 3. Use only hose length provided with initial purchase of pressure washer. Detergent suction will not function if more than once section of hose is attached to unit 4. Remove 1" (2,54 cm) tapered detergent barb from pump. Clean the barb, and make sure that ball and spring are properly aligned with tapered portion of the spring facing the ball. The ball should be on top of the spring

NOTES

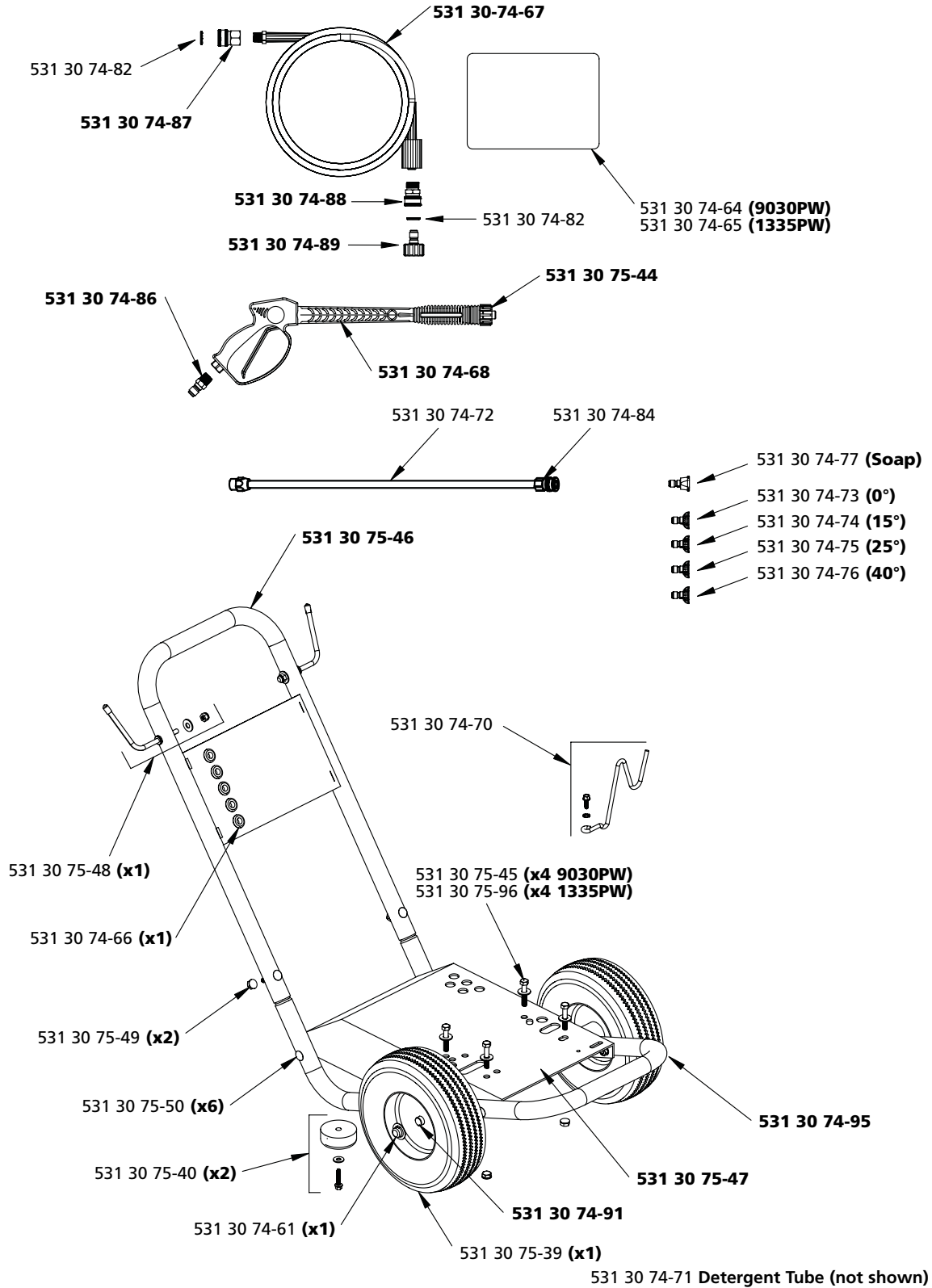
5525PW



6026PW



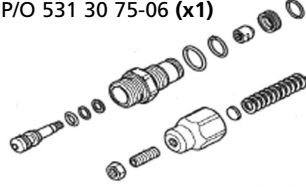
9030PW and 1335PW



Pump for 5525PW

531 30 75-29 Pump Assembly Complete

P/O 531 30 75-06 (x1)



531 30 75-04



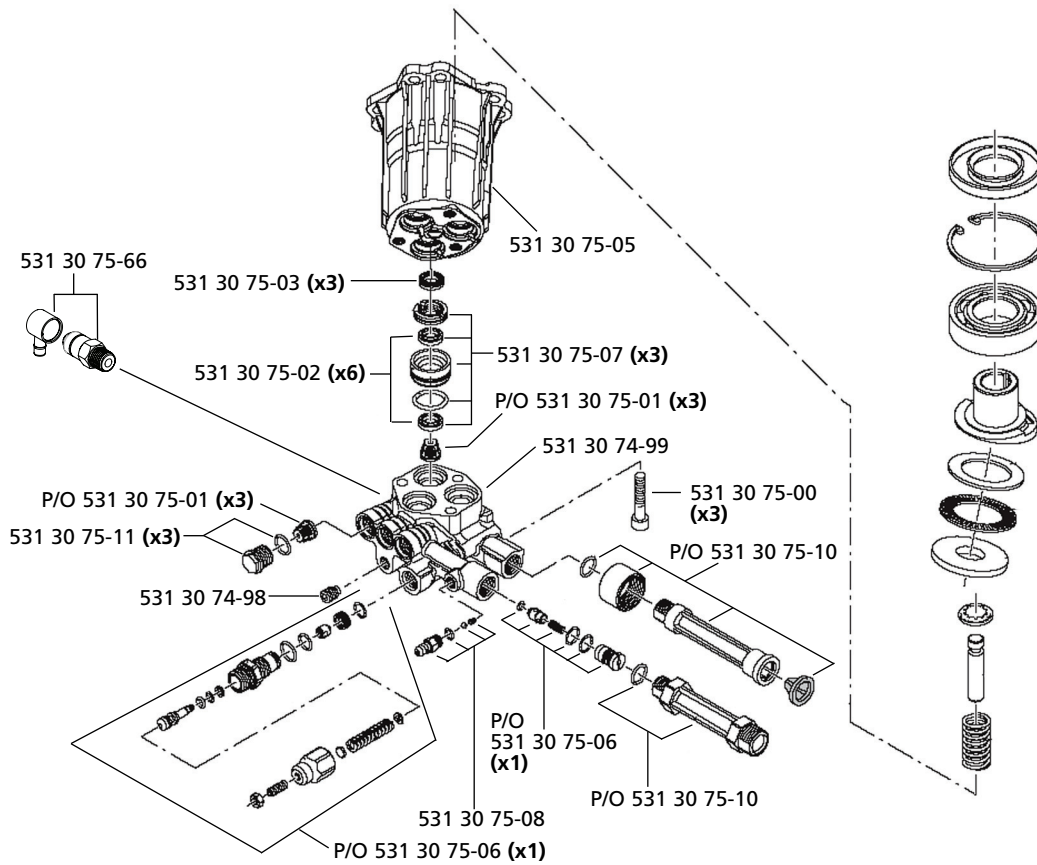
531 30 75-01(x6)



531 30 75-02 (x6)



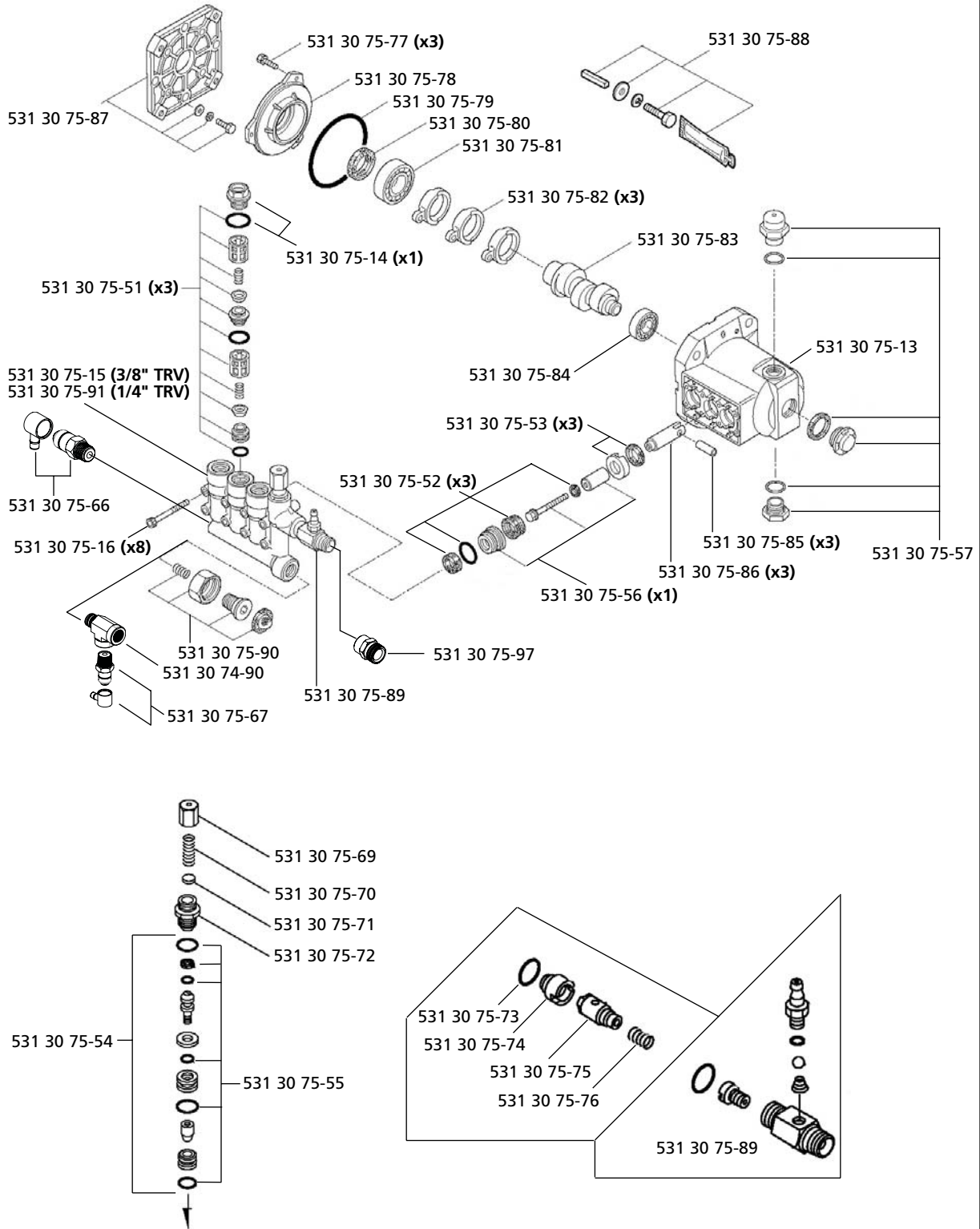
531 30 75-03 (x3)



Key: P/O = Part Of Kit

Pump for 6026PW

531 30 75-12 Pump Assembly Complete



531 30 74-83 Pump Oil (not shown)
Key: P/O = Part Of Kit



For customer assistance contact us at our website:
www.usa.husqvarna.com

Free Manuals Download Website

<http://myh66.com>

<http://usermanuals.us>

<http://www.somanuals.com>

<http://www.4manuals.cc>

<http://www.manual-lib.com>

<http://www.404manual.com>

<http://www.luxmanual.com>

<http://aubethermostatmanual.com>

Golf course search by state

<http://golfingnear.com>

Email search by domain

<http://emailbydomain.com>

Auto manuals search

<http://auto.somanuals.com>

TV manuals search

<http://tv.somanuals.com>