

***Hustler 5" Reels
1500 Riding Greens
Parts Manual***



HUSTLER®

•••••

Excel Industries, Inc.

••••

P.O. Box 7000

•••

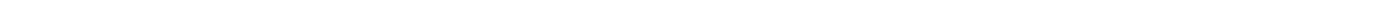
Hesston, Kansas

•

67062-2097

Table of Contents

General Information	1-1
Section 2	
Front Roller	2-2
Reel Blade	2-4
Bedknife	2-6
Rear Roller	2-8
Gear Motor Weight	2-10
Reel Cover—11 Blade Count Reels	2-11
Reel Cover—7 Blade Count Reels	2-12
Index	i-1



General Information

This Manual covers Hustler Riding Greens 5" Reel models **929729 (11-Blade)** & **929745 (7-Blade)**.

Frequently Ordered Parts

PART NO.	DESCRIPTION
042532078	TAPER ROLLER BEARING
050203130	OIL SEAL
A70320020	ADJUSTING KNOB
A99432090	ADJUSTING STUD
A99480030	BEDKNIFE SCREW M6 X 12
SEE BEDKNIFE OPTIONS ON PAGE 2-7	

Service Literature

PART NO.	DESCRIPTION
113417	OPERATOR'S MANUAL
114445	GENERAL SERVICE MANUAL

Accessories Available From Your Dealer

PART NO.	DESCRIPTION
114263	REAR ROLLER BRUSH KIT
114676	PIVOTING REAR ROLLER SCRAPER KIT
114634	GROOMER KIT
SEE FRONT ROLLER OPTIONS ON PAGE 2-3	

Note: When ordering parts, you must use the part number as shown for each part, not the index number. Always give the model and serial number to your parts and service representative.

Note: Items sold in bulk such as seals and hoses are sold by the foot.

Using this manual

This manual is part of a service package for the Hustler mowers. Use of this manual in conjunction with other Hustler mower and component manuals will provide the information necessary to service and maintain Hustler mowers.

This Parts Manual provides a complete parts listing for the unit. Use this manual when ordering parts. Illustrations used were current at the time of printing, but subsequent production changes may cause your machine to vary slightly in detail. Excel Industries, Inc. reserves the right to redesign and change the machine as deemed necessary, without notification. If a change has been made to your machine which is not reflected in this parts manual, see your Hustler dealer for current information and parts.

The Service Manual is a service guide for use by Service Technicians. It provides the necessary information needed to perform normal maintenance requirements on these units.

The Operator's Manual provides fundamental operational information and operational safety that is needed when operating the mower.

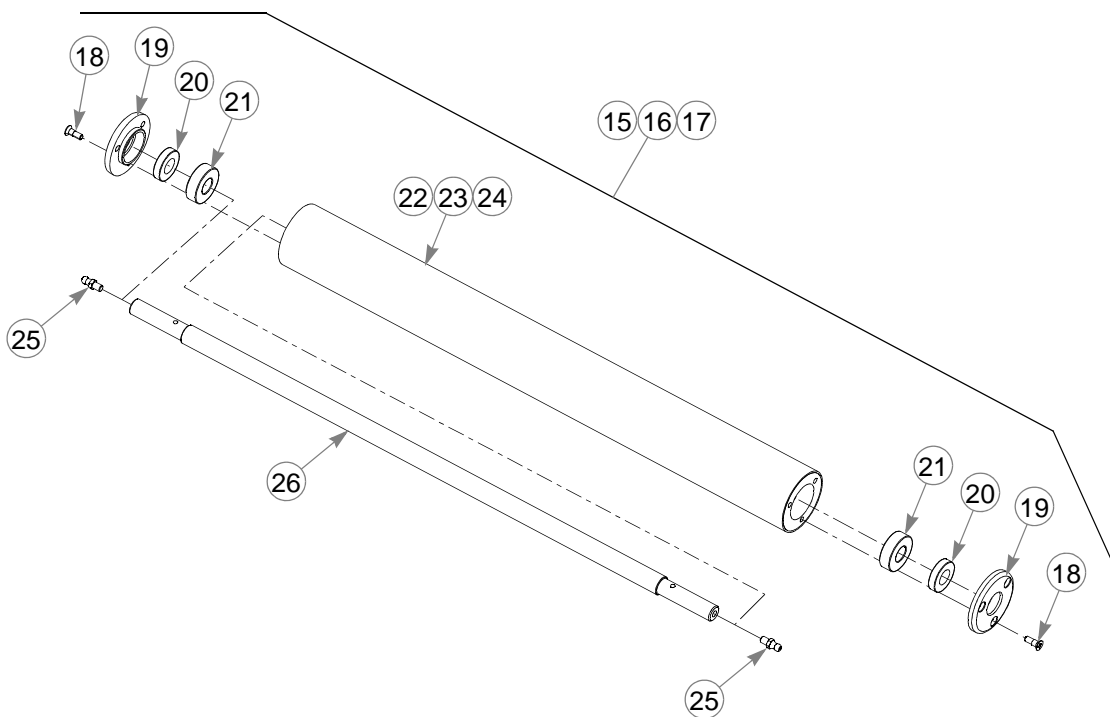
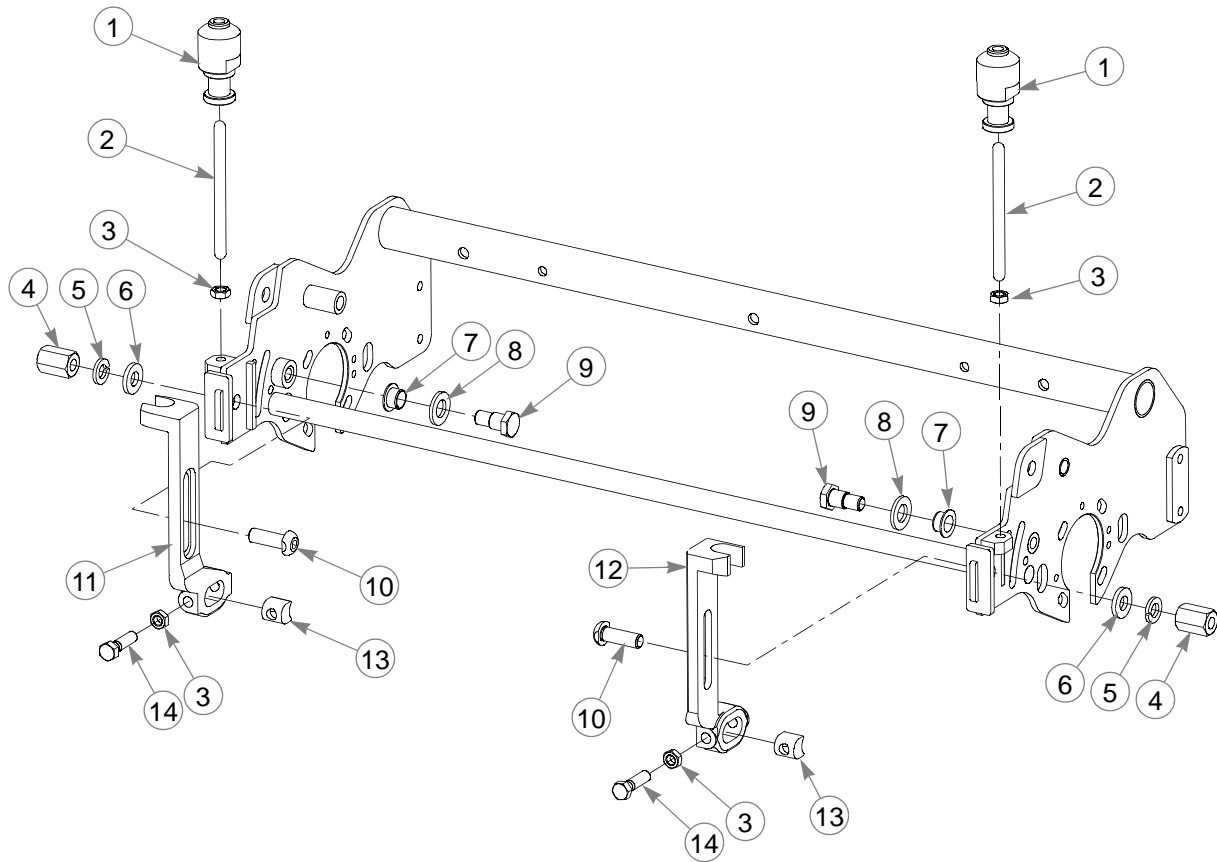
The component manuals are furnished by the various manufacturers to be used for the troubleshooting and servicing of their products.



Section 2

Front Roller	2-2
Reel Blade	2-4
Bedknife	2-6
Rear Roller	2-8
Gear Motor Weight	2-10
Reel Cover—11 Blade Count Reels	2-11
Reel Cover—7 Blade Count Reels	2-12

Front Roller

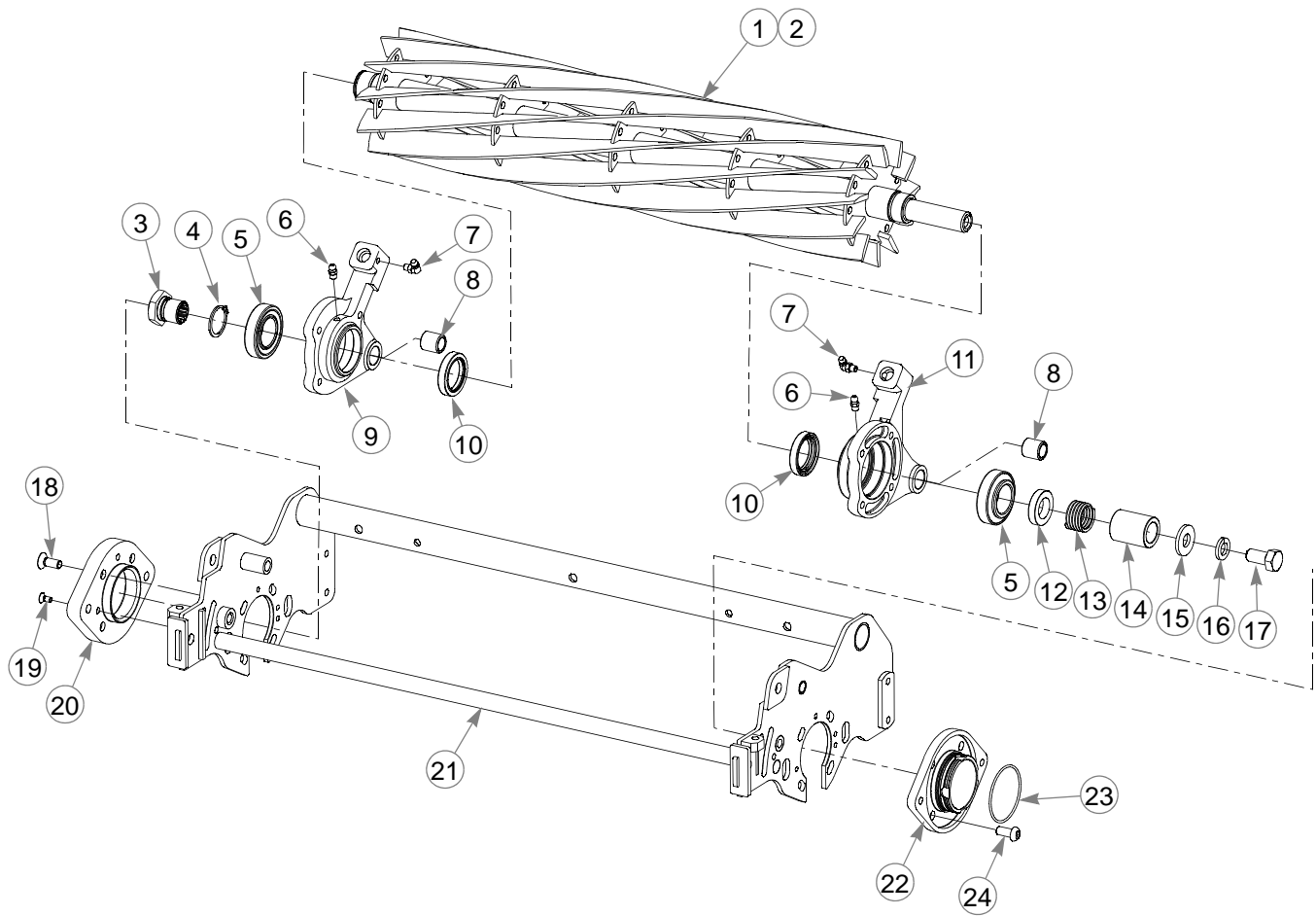


Front Roller

INDEX NO.	PART NO.	QTY.	DESCRIPTION
1	A70320020	2	ADJUSTING KNOB
2	A99432090	2	ADJUSTING STUD
3	020700008	4	NUT
4	A99460230	2	NUT
5	027100010	2	M10 LOCK WASHER
6	A99240200	2	WASHER
7	A98510640	2	BUSHING
8	026100012	2	WASHER
9	A99432100	2	BOLT
10	A99431840	2	BOLT - BRACKET
11	A72160890	1	RS ROLLER BRACKET
12	A72160880	1	LS ROLLER BRACKET
13	A99210010	2	SPACER
14	010310830	2	BOLT M8X30, 8.8
15	755220	1	ROLLER ASSEMBLY (SMOOTH)
16	A72010320	1	ROLLER ASSEMBLY (GROOMING)
17	A72010420	1	ROLLER ASSEMBLY (GROOVED)
ROLLER ASSEMBLIES INCLUDE THE FOLLOWING:			
18	A99480160	6	SCREW M5 X 15
19	A72120030	2	ROLLER CAP
20	A98530040	2	OIL SEAL
21	040136202	2	BEARING 6202LU
22	A72100110	1	ROLLER TUBE (SMOOTH)
23	A72110400	1	ROLLER TUBE (GROOMING)
24	A72110500	1	ROLLER TUBE (GROOVED)
25	060610000	2	GREASE FITTING M6 X .075
26	A72460170	1	SHAFT ROLLER

NOTES:

Reel Blade

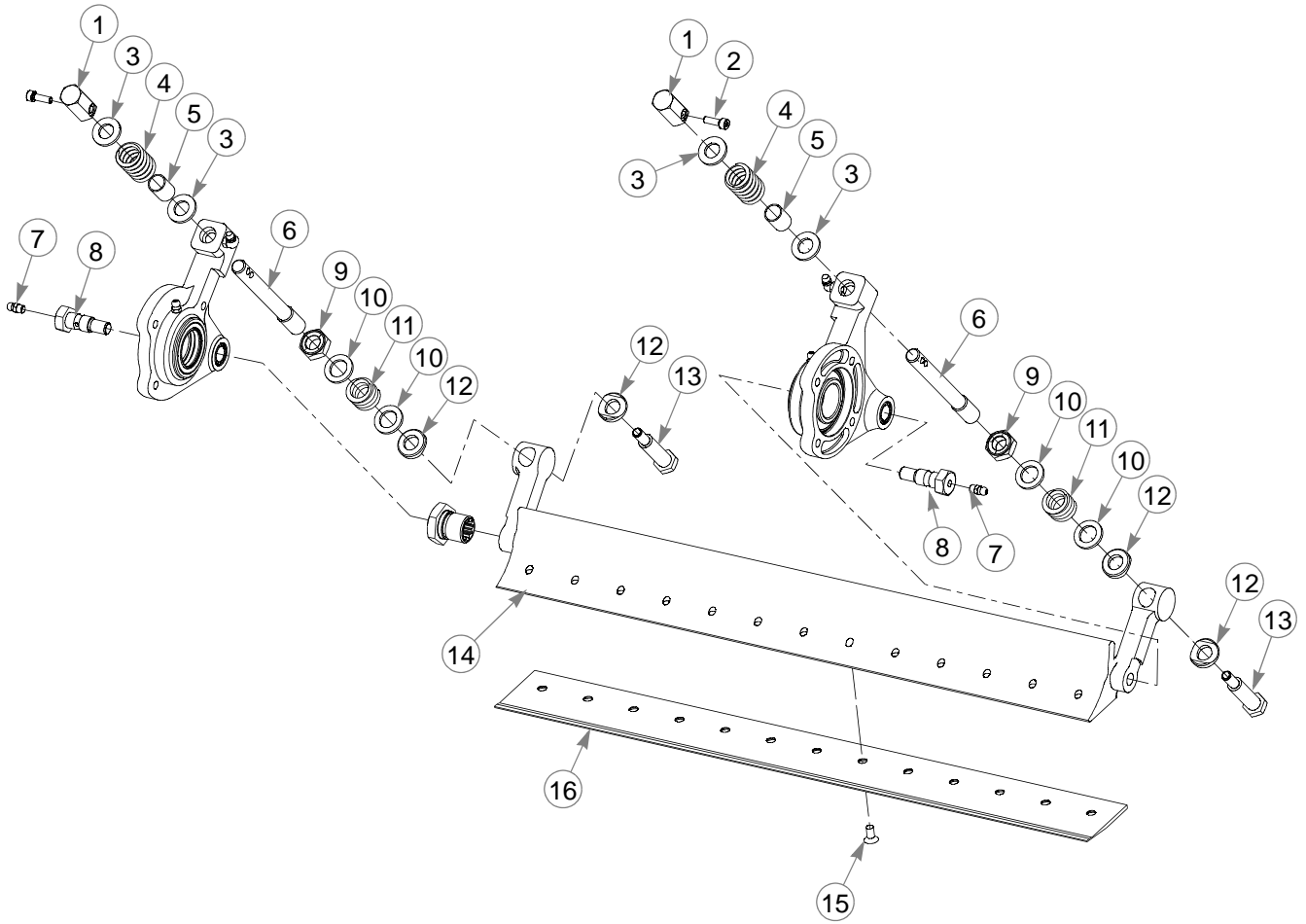


Reel Blade

INDEX NO.	PART NO.	QTY.	DESCRIPTION
1	A70151460	1	5"D 11-BLADE RH DRIVE REEL
2	A70151380	1	5"D 7-BLADE RH DRIVE REEL
3	A22360310	1	REEL COUPLER
4	036100028	1	SNAP RING
5	042532078	2	TAPER ROLLER BEARING
6	060609002	2	GREASE FITTING
7	060609006	2	GREASE FITTING
8	A98510120	2	BUSH
9	A22260971	1	RS BEARING HOUSING
10	050203130	2	OIL SEAL
11	A22260951	1	LS BEARING HOUSING
12	A99231780	1	COLLAR
13	A98220100	1	SPRING
14	A99230240	1	COLLAR
15	026109018	1	WASHER
16	027100012	1	LOCK WASHER
17	010131225	1	BOLT
18	015209029	4	SCREW
19	015300510	1	SCREW
20	A22330031	1	MOTOR BRACKET
21	A74101240	1	FRAME
22	A22330040	1	WEIGHT BRACKET
23	052400530	1	O-RING
24	015209030	4	SCREW

NOTES:

Bedknife



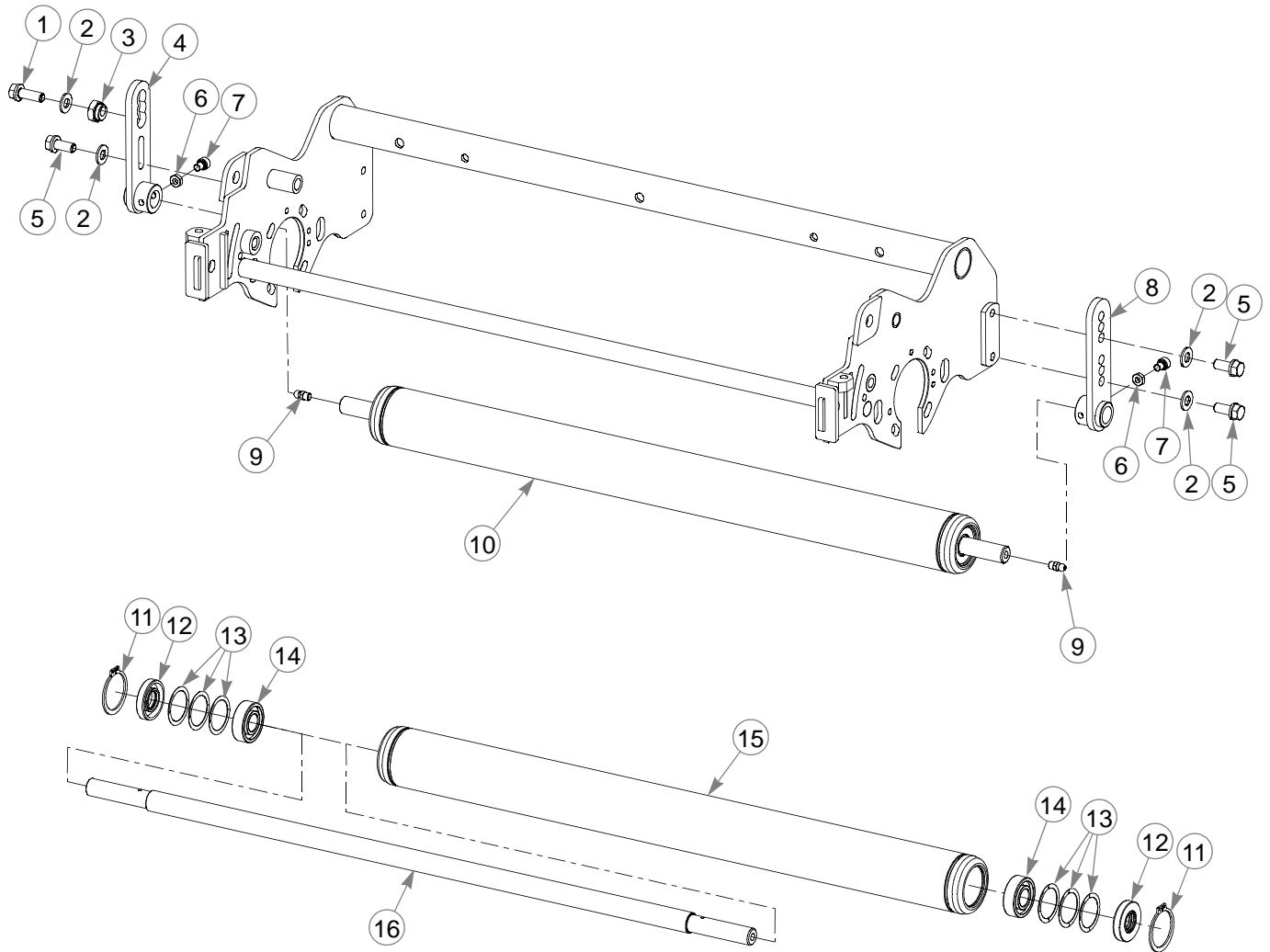
Bedknife

INDEX NO.	PART NO.	QTY.	DESCRIPTION
1	A70320150	2	ADJUSTING NUT
2	010709061	2	BOLT
3	026100012	4	WASHER
4	A98221130	2	SPRING
5	A99231710	2	COLLAR
6	A70310120	2	ADJUSTER BOLT
7	060609002	2	GREASE FITTING
8	A99430330	2	BOLT
9	022409012	2	NUT
10	026200014	4	WASHER
11	A98221140	2	SPRING
12	A99231230	4	COLLAR
13	A99432080	2	BOLT
14	A70110430	1	BED BAR
15	A99480030	13	SCREW M6 X 12
16	SEE TABLE BELOW FOR BEDKNIFE OPTIONS		

NOTES:

BEDKNIFE DESCRIPTION	HIGH SPEED PREMIUM BEDKNIFE TOOL STEEL INSERTED LEADING EDGE	ALL STEEL BEDKNIFE
TOURNAMENT	A70430230 (22", 2.5MM)	A70430291 (22", 2.5MM)
FAIRWAY/TEES	A70430240 (22", 3.0MM)	A70430301 (22", 3.0MM)
FAIRWAY/TEES	A70430250 (22", 3.5MM)	A70430311 (22", 3.5MM)
FAIRWAY/TEES	A70430260 (22", 4.5MM)	A70430280 (22", 4.5MM)

Rear Roller

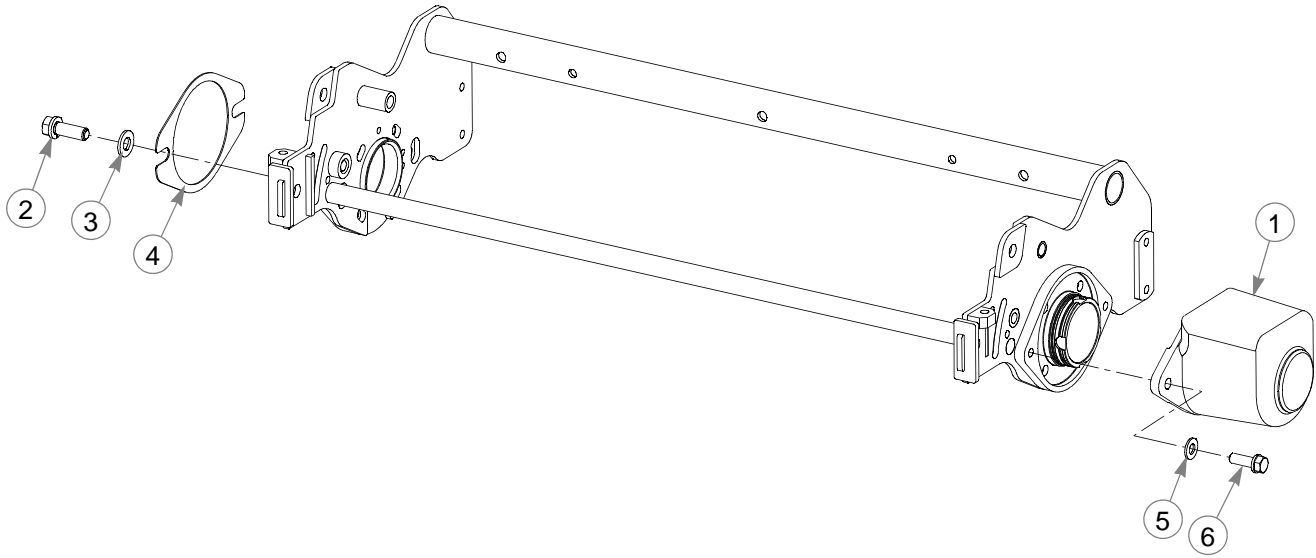


Rear Roller

INDEX NO.	PART NO.	QTY.	DESCRIPTION
1	011510825	1	BOLT
2	026100008	4	WASHER, M8 X 16 X 1.6
3	A72170060	1	CAM BOSS
4	A72160800	1	RS BRACKET
5	011510820	3	BOLT, M8 X 1.25 X 20
6	020300006	2	NUT
7	010709063	2	SCREW
8	A72160790	1	LS BRACKET
9	060609002	2	GREASE FITTING
10	A72010451	1	REAR ROLLER ASSEMBLY
REAR ROLLER ASSEMBLY INCLUDES THE FOLLOWING:			
11	036100035	2	SNAP RING
12	050209128	2	OIL SEAL
13	A99240880	6	WAVEY WASHER
14	040136202	2	BEARING 6202LU
15	A72100200	1	REAR ROLLER TUBE
16	A72460391	1	SHAFT

NOTES:

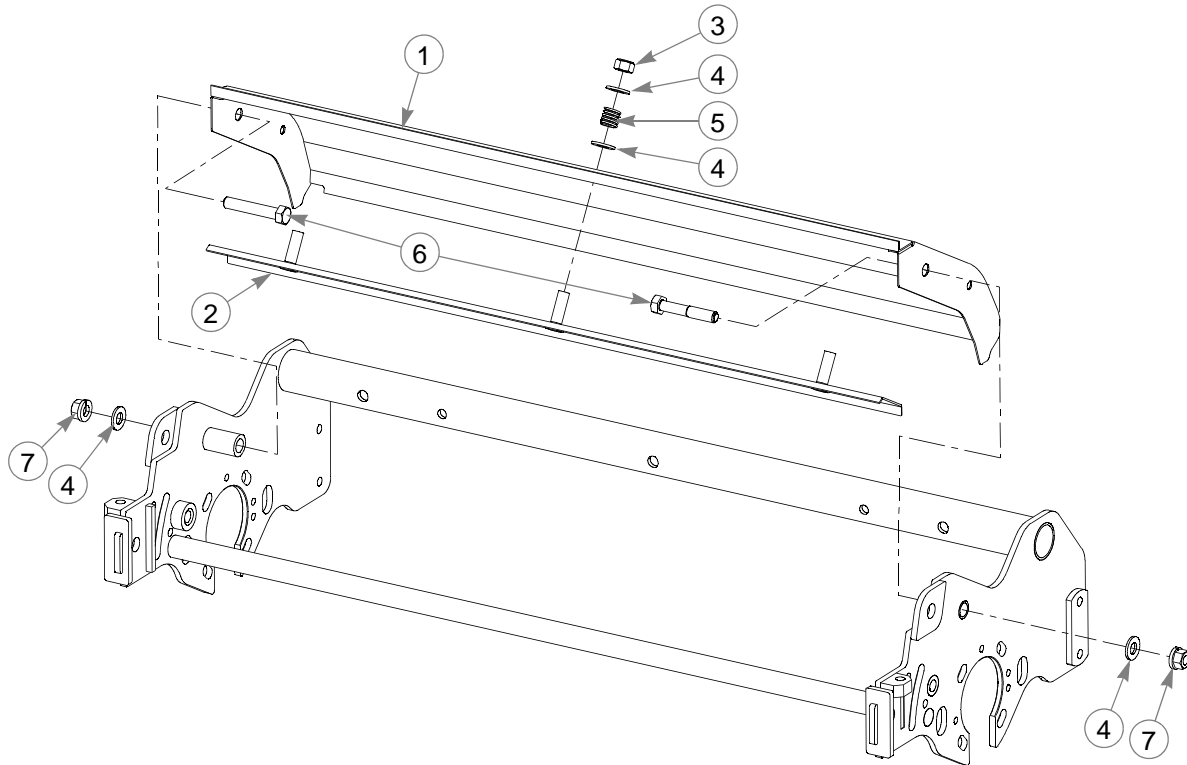
Gear Motor Weight



INDEX NO.	PART NO.	QTY.	DESCRIPTION
1	A62110400	1	WEIGHT
2	011511030	2	BOLT, M10 X 30
3	026100010	2	WASHER, M10 X 20 X 2
4	A22990230	1	GASKET
5	026100008	2	WASHER, M8 X 16 X 1.6
6	011510825	2	BOLT

NOTES:

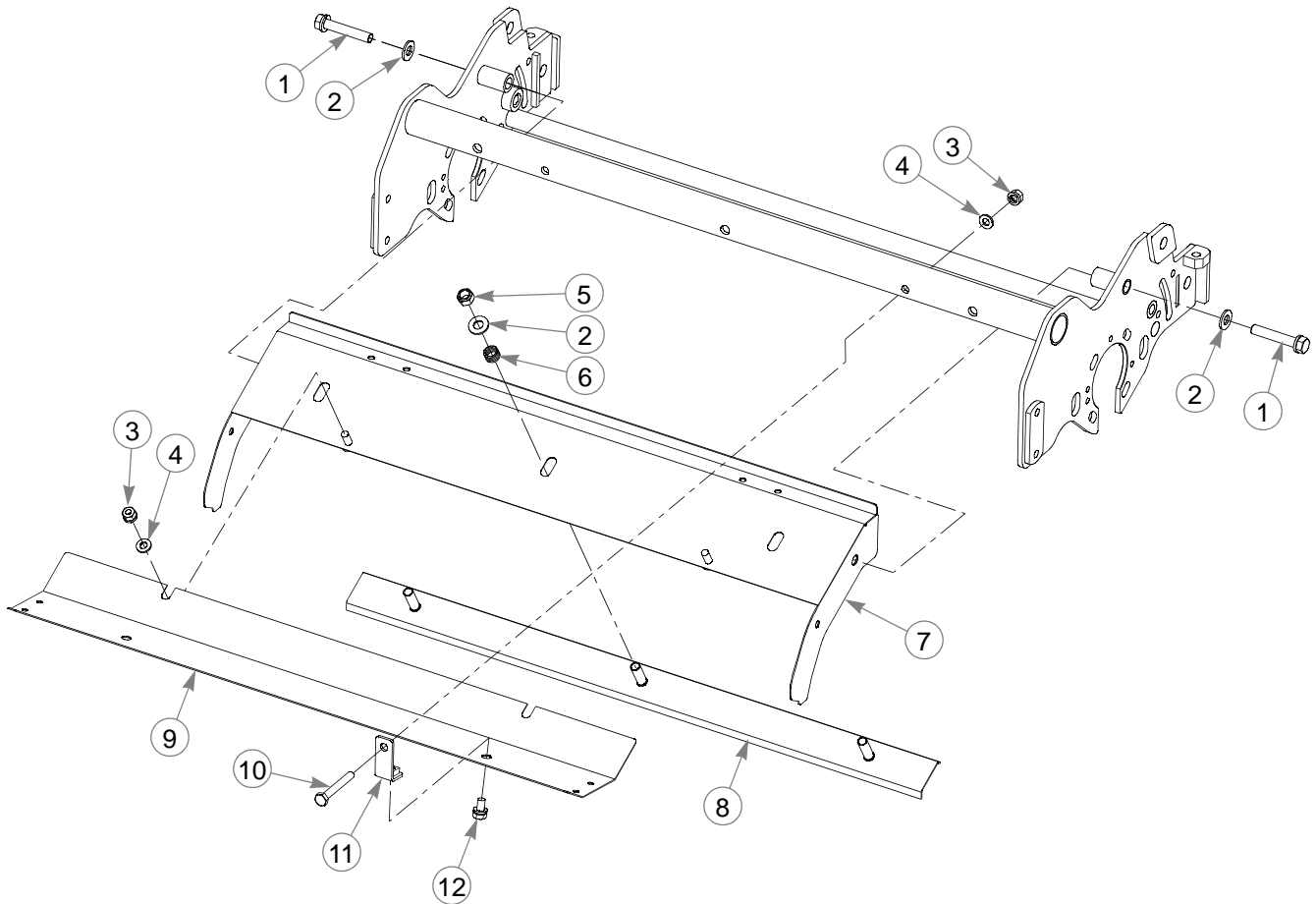
Reel Cover—11 Blade Count Reels



INDEX NO.	PART NO.	QTY.	DESCRIPTION
1	A74251120	1	COVER
2	A74350410	1	BAFFLE PLATE
3	022300008	3	M8 U-NUT
4	026100008	8	WASHER, M8 X 16 X 1.6
5	A98221120	3	SPRING
6	010310845	2	BOLT
7	021500008	2	NUT

NOTES:

Reel Cover—7 Blade Count Reels



INDEX NO.	PART NO.	QTY.	DESCRIPTION
1	011510845	2	BOLT, M8 X 45
2	026100008	5	WASHER, M8 X 16 X 1.6
3	021300006	4	NUT
4	026100006	4	WASHER, M6 X 12 X 1.6
5	022300008	3	M8 U-NUT
6	A98221120	3	SPRING
7	A74250950	1	FRONT CUTTER COVER
8	A74350350	1	COVER PLATE
9	A74260970	1	DISCHARGE COVER
10	010110645	2	BOLT
11	A74350380	2	BRACKET
12	011150612	2	BOLT

NOTES:

Numerical Index

Part No.	Page No.	Part No.	Page No.	Part No.	Page No.
Index					
010110645	2-12	060610000	2-3	A72120030	2-3
010131225	2-5	113417	1-1	A72160790	2-9
010310830	2-3	114263	1-1	A72160800	2-9
010310845	2-11	114445	1-1	A72160880	2-3
010709061	2-7	114634	1-1	A72160890	2-3
010709063	2-9	114676	1-1	A72170060	2-9
011150612	2-12	755220	2-3	A72460170	2-3
011510820	2-9	929729	1-1	A72460391	2-9
011510825	2-9, 2-10	929745	1-1	A74101240	2-5
011510845	2-12	A22260951	2-5	A74250950	2-12
011511030	2-10	A22260971	2-5	A74251120	2-11
015209029	2-5	A22330031	2-5	A74260970	2-12
015209030	2-5	A22330040	2-5	A74350350	2-12
015300510	2-5	A22360310	2-5	A74350380	2-12
020300006	2-9	A22990230	2-10	A74350410	2-11
020700008	2-3	A62110400	2-10	A98220100	2-5
021300006	2-12	A70110430	2-7	A98221120	2-11, 2-12
021500008	2-11	A70151380	2-5	A98221130	2-7
022300008	2-11, 2-12	A70151460	2-5	A98221140	2-7
022409012	2-7	A70310120	2-7	A98510120	2-5
026100006	2-12	A70320020	1-1, 2-3	A98510640	2-3
026100008	2-9, 2-10, 2-11, 2-12	A70320150	2-7	A98530040	2-3
026100010	2-10	A70430230	2-7	A99210010	2-3
026100012	2-3, 2-7	A70430240	2-7	A99230240	2-5
026109018	2-5	A70430250	2-7	A99231230	2-7
026200014	2-7	A70430260	2-7	A99231710	2-7
027100010	2-3	A70430280	2-7	A99231780	2-5
027100012	2-5	A70430291	2-7	A99240200	2-3
036100028	2-5	A70430301	2-7	A99240880	2-9
036100035	2-9	A70430311	2-7	A99430330	2-7
040136202	2-3, 2-9	A72010320	2-3	A99431840	2-3
042532078	1-1, 2-5	A72010420	2-3	A99432080	2-7
050203130	1-1, 2-5	A72010451	2-9	A99432090	1-1, 2-3
050209128	2-9	A72100110	2-3	A99432100	2-3
052400530	2-5	A72100200	2-9	A99460230	2-3
060609002	2-5, 2-7, 2-9	A72110400	2-3	A99480030	1-1, 2-7
060609006	2-5	A72110500	2-3	A99480160	2-3

Free Manuals Download Website

<http://myh66.com>

<http://usermanuals.us>

<http://www.somanuals.com>

<http://www.4manuals.cc>

<http://www.manual-lib.com>

<http://www.404manual.com>

<http://www.luxmanual.com>

<http://aubethermostatmanual.com>

Golf course search by state

<http://golfingnear.com>

Email search by domain

<http://emailbydomain.com>

Auto manuals search

<http://auto.somanuals.com>

TV manuals search

<http://tv.somanuals.com>