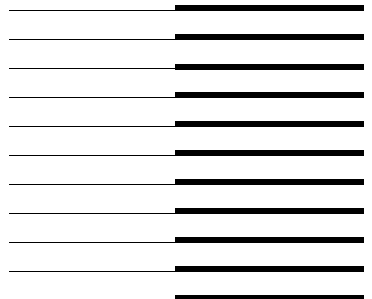


Océ TDS800

User Manual





Océ-Technologies B.V.

This manual contains a functional and task-oriented description of the Océ TDS800 multifunctional digital system release 1.3.

Trademarks

Products in this manual are referred to by their trade names. In most, if not all cases, these designations are claimed as trademarks or registered trademarks of their respective companies.

Adobe® PostScript® 3™/PDF

Safety information

This manual contains the following safety information:

- Appendix B lists 'Instructions for safe use'. You are advised to read this information before you start to use the system. Appendix B includes technical safety information like safety data sheets.
- Where applicable, cautions and warnings are used throughout this manual to draw your attention to safety precautions which should be taken.

Internet

Check Océ on the internet at www.oce.com for:

- the latest drivers
- the latest user manuals

Copyright

© 2003 Océ-Technologies B.V. Venlo, The Netherlands

All rights reserved. No part of this work may be reproduced, copied, adapted, or transmitted in any form or by any means without written permission from Océ.

Océ-Technologies B.V. makes no representation or warranties with respect to the contents hereof and specifically disclaims any implied warranties of merchantability or fitness for any particular purpose.

Further, Océ-Technologies B.V. reserves the right to revise this publication and to make changes from time to time in the content hereof without obligation to notify any person of such revision or changes.

Table of Contents

Chapter 1

Introduction

- About this manual 12
- The Océ TDS800 14
- Océ TDS800 key concepts 15
 - User interaction 16
- Océ TDS800 users 18
- Océ TDS800 components 19
 - Océ TDS800 printer 19
 - Océ TDS800 scanner 20
 - Océ TDS800 Power Logic® Controller 20
- Turn on and off the Océ TDS800 23
 - Timers 25

Chapter 2

Using the Océ TDS800 to print

- Before you begin 30
- How to print 31
- Printer operator panel 32
 - Select a language 32
 - Display 33
 - Counter 34
 - Keys 34
- Printer operator panel actions 36
 - Media types and sizes on the printer 36
 - Special media indication 38
 - Stopping a print job 39
- Print with Océ Print Exec® Workgroup 40
 - Introduction 40
 - Options 40
 - Connect to Océ Print Exec® Workgroup 40
 - The documentation set 41
- Print with Océ Repro Desk 42
 - Introduction 42
 - The documentation set 42

Chapter 3

Using the Océ TDS800 to Copy

- Before you begin 44
- Scanner operator panel 45
 - Section, Function and Arrow keys 48
 - Sections on the display of the scanner operator panel 49
 - Custom section 49
 - Original section 50
 - Print section 51
 - File section 51
 - Job templates 52
 - Change the operator panel language 52
 - Change default settings on the scanner operator panel 53
- Perform basic copy jobs 55
 - Make copies 55
 - Select the required media 56
 - Select the input mode 58
 - Specify the zoom factor 60
 - Define settings for the next original 61
 - Account logging 61
 - Using the manual feed for copy jobs 62
 - Stop a job 63
 - Interrupt a job 63
 - Stamping 65

Chapter 4

Using the Océ TDS800 to scan-to-file

- Before you begin 68
- Scanner operator panel 69
- Océ Scan Logic® 70
 - Scan clicks 71
- Make a scan-to-file 72
- Settings for scan-to-file 74
 - File mode 75
 - Destination 75
 - File format 76
 - Tiff sub format 76
 - PDF compress 77
 - Resolution 77
 - Zoom 78
 - Optimisation 78
 - Mirror 78

Océ Scan Manager	79
Tree view	80
Table view	81
Actions in Océ Scan Manager	82
Destinations	82
Define file names	86
Scanned files	87
Manage the temporary store	89
How to retrieve scanned files	89
Océ View Station LT®	92
Menu options	93
Function buttons	94
View error	95

Chapter 5

Special copy and scan jobs	
Non-standard size originals	98
The scan width	98
The copy size	99
Scanning originals with filing strip	100
The image quality	103
Brightness	103
Automatic background compensation	104
Editing functions	106
Auto align	106
Shift the image	108
Mirror image	109
Make a set copy	111
Océ Matrix Logic® introduction	112
What is Océ Matrix Logic	112
Workflow	112
Access Océ Matrix Logic®	114
Use Océ Matrix Logic®	115
Matrix composition	115
Create a Matrix Job	115
Add configurations	116
Print the Matrix job	118
Reprint	119
Copy configurations	119
Edit configurations	121
Banners	123

Chapter 6

Océ Power Logic®: Settings Editor

Introduction 126

Overview of the Océ Settings Editor 127

General structure 128

Menu bar 129

Top toolbar 129

Left toolbar 130

Settings area 131

Status bar 132

Use the Océ Settings Editor 133

Key Operator settings 133

System Administrator settings 134

Access the Océ Settings Editor 135

Start the Océ Settings Editor 136

Define the contents of the custom card 136

Define the job templates 137

Manage different system adjustments with save and load 138

Find system settings in the Settings Editor 139

Chapter 7

Océ Power Logic®: System Control Panel

Introduction 142

Structure 142

Icons 144

User actions 145

Chapter 8

Océ Power Logic®: Queue Manager

Introduction 148

Structure 148

Modes 151

Icons 152

Managing print jobs 153

Chapter 9

Océ Power Logic®: Remote Logic

Introduction 156

Installation procedure for Microsoft® Windows systems 157

Installation procedure for Unix systems	159
General installation instructions	159
IBM AIX	160
HP-UX	160
Linux	160
Installation procedure for Apple Macintosh®	161
Use Océ Remote Logic®	162
User modes	163
Log on	164
Log off	164
To change the password	165
Automatic logon	165
Language	166
Help	166
Command line parameters	166
How to use the remote system	169

Chapter 10

Océ Account Center

Introduction	172
Océ Account Logic	173
Introduction to Océ Account Logic	173
Océ Power Logic® controller setup	173
Océ Account Console	175
Introduction to Océ Account Console	175
Summary of Océ Account Console	175

Chapter 11

The folder

Introduction	178
Folder	179
Reinforcement unit	183
Belt unit	185
Belt full detection	186

Chapter 12

Media and supplies

Load rolls of media	188
Clear the chip tray	193
Add the toner	194

Chapter 13

Maintenance

- Clean the reference roller 206
- Maintenance of the Reinforcement Unit 208
 - Clear the waste box 208
 - Clean the reinforcement knives 209

Chapter 14

Problem solving

- Introduction 214
- How to clear original jams 215
- How to clear paper jams 217
 - Paper jam in the manual feed 218
 - Paper jam in the fuser section 219
 - Paper jam in the paper roll compartments 223
 - Paper jam behind the chip tray 224
 - Paper jam in the vertical transport unit 225
 - Paper jam underneath the roll 1, roll 3 and roll 5 triangular feed unit 226
 - Paper jam in the first fold section of the folder 227
 - Clear a paper jam in the high capacity output unit of the folder 231
- Problems with the Reinforcement Unit 234
 - Clear paper jams in the Reinforcement Unit 234
 - Clear tape jams in the Reinforcement Unit 236
 - No reinforcement strips on the output without an error message 238
- Other problems 240

Appendix A

Overview and tables

- Overview of the Océ TDS800 system 242
- Printer operator panel 243
- Scanner operator panel 244
- Product specifications Océ TDS800 245
- List of available material types and sizes 253
 - Reinforcement strips 255

Appendix B

Safety information

Instructions for safe use	258
Safety data sheets	260
Safety data sheet Océ TDS800 printer	261
Safety data sheet Océ TDS800 scanner	262
Safety data sheet Océ E1 toner	263
Safety data sheet Océ Cleaner A	265
Safety data sheet Océ OPC drum	267
EPA Energy Star®	269

Appendix C**Miscellaneous**

Notation conventions	272
Reader's comment sheet	273
Addresses of Océ organizations	275
Index	277

Chapter 1

Introduction

This chapter contains a description of the main features, delivery options and software applications provided with the TDS800.



About this manual

This manual contains the following chapters:

Chapter 1: Introduction contains a general introduction to the Océ TDS800 system, including a general description of the main features, delivery options and software applications provided with the system. Contains a description of how to turn on and off the Océ TDS800.

Chapter 2: Using the Océ TDS800 to print contains a description of the actions that can be performed on the printer operator panel of the Océ TDS800.

Chapter 3 Using the Océ TDS800 to copy contains a description of the actions that can be performed on the scanner operator panel of the Océ TDS800 including the basic copy functions that are available from the system.

Chapter 4: Using the Océ TDS800 to scan contains a description of how to scan originals to a file.

Chapter 5: Special copy and scan jobs contains a detailed description of special copy functions to be performed on the Océ TDS800.

Chapter 6: Océ Power Logic®: Settings Editor contains information about the Océ Settings Editor. For details about specific settings, refer to the Help on the Océ Settings Editor.

Chapter 7: Océ Power Logic®: System Control Panel contains a description of how to view the system status of the Océ TDS800.

Chapter 8: Océ Power Logic®: Queue Manager contains a description of how to view the Océ TDS800 print queue and how to abort an active print, how to delete and pause print jobs in the queue and how to restart jobs that are put on hold.

Chapter 8: Océ Power Logic®: Remote Logic contains a description of the installation and the function of the Océ TDS800 remote controller applications.

Chapter 10: Océ Account Center contains a description of how to manage the account information of the print, copy and scan-to-file jobs with Océ Account Logic and Océ Account Console.

Chapter 11: The folder contains a description of the folder delivered as an option with the Océ TDS800.

Chapter 12: Media and supplies contains a description of regular maintenance tasks, like loading paper, adding toner, and changing tape in the reinforcement unit.

Chapter 13: Maintenance contains a description of how to clean the glass platen, the reference roller and how to maintain the reinforcement unit.

Chapter 14: Problem solving contains a description of the problems that may occur while using the Océ TDS800.

Appendix A: Overview and tables contains an overview of the system, the operator panels, the product specifications for the Océ TDS800, a list of available material types and sizes, and a list of formats included in the paper series.

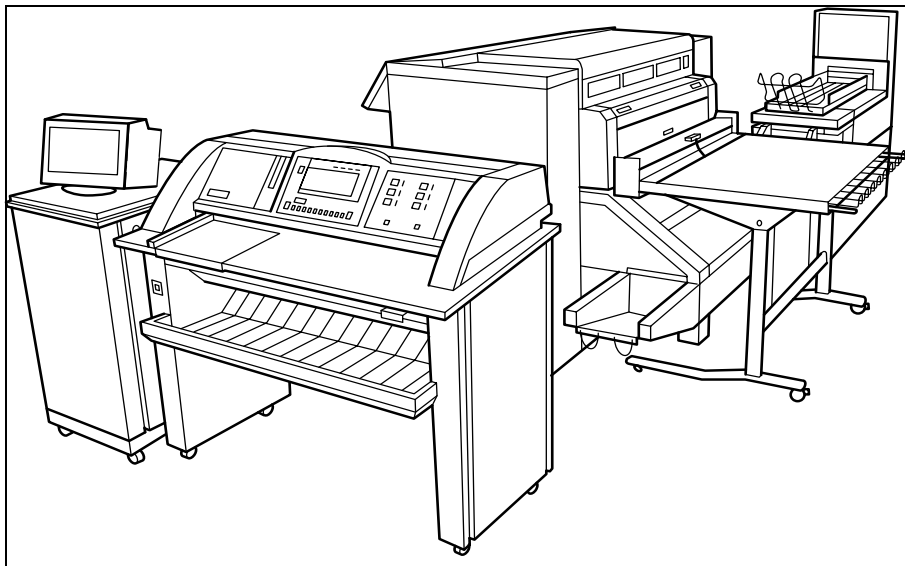
Appendix B: Safety information contains the recommended weight limits, instructions for safe use, the available safety data sheets and the applicable ENERGY STAR® specifications.

Appendix C: Miscellaneous contains the notation conventions, a reader's comment sheet and the addresses of local Océ organizations.

Index indicates where you can find the most commonly-used terms in the manual.

The Océ TDS800

The Océ TDS800 is a wide format, black and white, high volume multifunctional system. The Océ TDS800 offers a broad range of print, copy, and scan-to-file functions. The printer prints at a resolution of 400 dpi and is highly productive because of its Océ Copy Press technology. See 'Product specifications Océ TDS800' on page 245 for more information.



[1] Océ TDS800

Océ TDS800 key concepts

Printer configuration The Océ TDS800 has six media rolls, a roll loader and a horizontal delivery tray. A folder is optional.

Copy function With the Océ TDS800 scanner a large number of copy activities can be performed. A wide variety of original and copy related settings are supported. Users can specify particular layout, media, finishing, feeding and quality enhancement options from the scanner operator panel. See 'Product specifications Océ TDS800' on page 245 and 'Scanner operator panel' on page 244 for more information.

Océ Scan Logic® The Océ TDS800 offers full hybrid performance with its optional scan-to-file function. Documents are scanned then stored digitally. Ten customisable destinations are supported.

Adobe® PostScript® 3™/PDF The Océ TDS800 fully supports Adobe® PostScript® 3™. For Japanese 5 extra fonts are optional. They can be enabled with a password in the Océ Settings Editor.

Network connectivity The Océ TDS800 supports a number of popular network protocols. This means that it can be used in multiple networking environments such as TCP/IP, NetBEUI, and Novell Pserver (IPX/SPX).

Print and copy jobs Print and copy jobs are sent to the Océ TDS800 Printer from a user application (print job) or from the scanner (copy job). Print and copy jobs can consist of several sets, which in turn can consist of several pages. Sorting of a print or copy job can take place based on sets or on pages.

Set processing The Océ TDS800 supports set processing. This means that a job can consist of several files or originals. You can print or scan these files or originals multiple times and in sorted sets. The Océ TDS800 is equipped with 2 hard disks with a set memory for storing up to 250 A0s each. This allows for the creation of identical sets that are sorted either by page or by set. See also 'Make a set copy' on page 111.

Océ Matrix logic® Océ Matrix Logic® is an Océ TDS800 option which allows you to form in one single operation different copy sets from one set of scanned originals using predefined settings. See 'Océ Matrix Logic® introduction' on page 112.

Spool memory The Océ TDS800 contains a spool memory which provides a queuing system for files you want to print. The spool memory allows multiple users to send print jobs to the Océ TDS800 at the same time. The print jobs are then placed in the print queue where they wait to be printed. The job that is put first into the queue is printed first.

Job recovery The Océ TDS800 is equipped with a job recovery function that safeguards users against data loss in case of a printer failure. After a restart, the data submitted to the printer before the crash is automatically processed and printed. This means that jobs do not have to be re-submitted after a printer malfunction. This saves valuable time for the users.

Green key principle The Océ TDS800 is a very user-friendly system. The scanner, in particular, is very easy to operate. Basic copy jobs can be performed by simply pressing the green start key on the scanner operator panel. Only if you want to perform more complex copy jobs, you have to change the default copy settings with the help of the other settings on the scanner operator panel.

User interaction

The user can communicate with the Océ TDS800 both local on the system and from remote locations:

Operator panels The Océ TDS800 consists of two operator panels for making a wide variety of settings for printing and copying. See ‘Printer operator panel’ on page 243 and ‘Scanner operator panel’ on page 244 for more information.

Controller applications The Océ TDS800 controller applications are used for making default key operator and system administrator settings (Océ Settings Editor). For viewing the status of the jobs in the print queue you use the Océ Queue Manager. The Océ System Control Panel shows the status of the entire system.

Océ Scan logic® With ‘Océ Scan logic®’ you can define all relevant settings for scan to file. See ‘Océ Scan Logic®’ on page 70 for more information.

Océ Remote Logic® With Océ Remote Logic® you can perform the following actions from any PC connected to the network and with Océ Remote Logic® software installed:

- Remotely view system status (Océ System Control Panel).

- Remotely manage print jobs (Océ Queue Manager).
- Remotely change settings (Océ Settings Editor).

Printer drivers With the Océ TDS800 a number of printer drivers can be used, including a Windows® raster driver, AutoCAD® HDI drivers and a PostScript® driver. With these drivers users in remote locations can print their files directly from their applications to the Océ TDS800. More information about installing, configuring and using drivers can be found in the documentation provided with the drivers. All Océ drivers can be freely downloaded from the Internet at www.oce.com.

Océ Print Exec® Workgroup Océ Print Exec® Workgroup is optional software which allows you to create and send a set of files to the Océ TDS800. You can send jobs from your workstation, using your web browser. See also ‘Print with Océ Print Exec® Workgroup’ on page 40.

Océ Repro Desk Océ Repro Desk is a print management solution for the reprographer and their clients. See also ‘Print with Océ Repro Desk’ on page 42.

Easy print submission through FTP The Océ TDS800 supports printing via FTP. You can print files via FTP from a command line prompt, an FTP application, or from an Internet browser. The following Internet browsers support drag and drop of files:

- Netscape® Navigator 4.x
Drag the jobs into the Jobs folder on the FTP site of your Océ TDS800. The jobs will appear in the print queue on the Océ Queue Manager.

The following Internet browsers support copy and paste of files:

- Netscape® Navigator 4.x
 - Microsoft® Internet Explorer 5.5
- Paste the jobs into the ‘Jobs’ folder on the FTP site of your Océ TDS800. The jobs appear in the print queue on the Océ Queue Manager.

Océ TDS800 users

On the Océ TDS800 the following user types can be identified:

System administrator The Océ TDS800 system administrator is responsible for installing and configuring the Océ TDS800 in its environment. He defines the printer language settings, pen settings and Automatic Language Sensing (ALS) settings. The system administrator can also provide assistance to normal users who need to install the printer drivers on their workstations. Configuration information can be found in the Océ TDS800 Connectivity Manual provided with the Océ TDS800.

Key operator The Océ TDS800 key operator is responsible for the daily maintenance of the Océ TDS800. The key operator adds toner when necessary, loads media as needed and defines the default printer settings for recurring print jobs. Also, the key operator defines all time settings, such as panel time out and sleep mode time out. See 'Océ Power Logic®: Settings Editor' on page 125 for more information.

Repro operator The repro operator is responsible for the daily operations on the Océ TDS800. The Repro Operator settings are a subset of the Key Operator settings. The Repro Operator has no rights to change settings in the Océ Settings Editor. In the Océ Queue Manager and the Océ System Control Panel the repro operator has the same user rights as the Key Operator and System Administrator.

Anonymous user Typically, an anonymous user on the Océ TDS800 can be either a PC user who has remote access to the system through one or more drivers (Windows® raster driver, AutoCAD® ADI/HDI drivers or PostScript® driver) or Océ Remote logic® (Océ Queue Manager, Océ System Control Panel and Océ Settings Editor), or a user performing a copy job at the scanner.

Service operator The Océ TDS800 service operator is responsible for installation and maintenance of the Océ TDS800.

Océ TDS800 components

The Océ TDS800 is available as a digital network printer, or as a full combination with a scanner which can print, copy or scan to file. The Océ TDS800 consists of the following components (see Figure 1 on page 14):

- Printer
- Scanner
- Océ Power Logic® Controller

These components, in combination with your network, Océ Print Exec® Workgroup and one or more drivers (Windows® driver, AutoCAD® HDI or PostScript®), allow you to use the Océ TDS800 as your default enterprise print and copy solution.

See the Connectivity Manual for more details about network settings for the Océ TDS800 printer. You find more information about installing, configuring and using drivers in the documentation provided with the drivers.

Note: *All drivers for the Océ TDS800 can be freely downloaded from the World Wide Web at www.oce.com.*

Océ TDS800 printer

The Océ TDS800 printer has the ability to contain six rolls of media. In standard configuration the printer delivers your jobs on the output delivery tray.

The Océ TDS800 printer has the following optionals:

- a folder to fold the output.
- a reinforcement unit to add a reinforcement strip.
- a punch unit to make holes on one edge.
- one or two belts to deliver folded output nicely stacked for a longer period of time (useful for unattended printing).

Océ TDS800 scanner

You use the Océ TDS800 scanner to copy or to scan to file.

The optional original delivery tray enables you to stack your originals behind the scanner.

Océ TDS800 Power Logic® Controller

The Océ TDS800 is equipped with a Océ Power Logic® Controller which helps you to make optimum use of your system. On this Océ Power Logic® Controller a number of applications run which allow you to control your jobs, make your default job settings and monitor the system status. These applications include:

- Océ Queue Manager (QM)
- Océ System Control Panel (SCP)
- Océ Settings Editor (SE)
- Océ Scan Manager and Océ View Station LT (optional)
- Océ Remote Logic®, includes QM, SCP and SE on a remote workstation which connects to the Océ Power Logic® Controller. Océ Scan Manager and Océ View Station LT do not run on Océ Remote Logic®.

Océ Queue Manager The Océ TDS800 Océ Queue Manager (QM) application provides you with a graphical representation of the print queue. It allows you to view the print queue and the status of the print and copy jobs as well as to manage the jobs in the queue. With the Océ Queue Manager you can:

- View the print queue.
- View the inbox queue
- View the history queue
- Abort the job currently being printed
- Give jobs a priority in the print queue
- Delete jobs in the print queue, inbox queue, and history queue
- Pause jobs in the print queue
- Restart previously paused jobs in the print queue
- Print jobs from the inbox queue
- Reprint jobs from the history queue
- Change number of sets for jobs in the history queue
- View the properties of jobs in the print queue, inbox queue, and history queue.

See ‘Managing print jobs’ on page 153 for more information about the Océ Queue Manager.

Océ System Control Panel The Océ System Control Panel (SCP) application provides you with status information about the printer. This includes:

- Status of the Océ TDS800 printer and scanner
- Set memory monitor to view the available storage space on the controller.
- Overview of the loaded media types and sizes.

See ‘Océ Power Logic®: System Control Panel’ on page 141 for more information about the Océ TDS800 System Control Panel.

Océ Settings Editor The Océ Settings Editor consists of 2 sets of settings, the key operator settings and the system administrator settings.

The key operator settings allow the key operator to configure and set up job, printer, system and scanner specific settings. These settings include:

- Format options
- Editing options
- Media related options
- Finishing options

See ‘Océ Power Logic®: Settings Editor’ on page 125 for more information about the Océ TDS800 Settings Editor application.

The system administrator settings allow the system administrator to configure and set up all aspects related to the infrastructure of the system. These settings include:

- Host information
- Network settings
- Pen settings
- Printer language settings
- General administrator settings

See ‘Océ Power Logic®: Settings Editor’ on page 125 for more information about the Océ TDS800 Settings Editor.

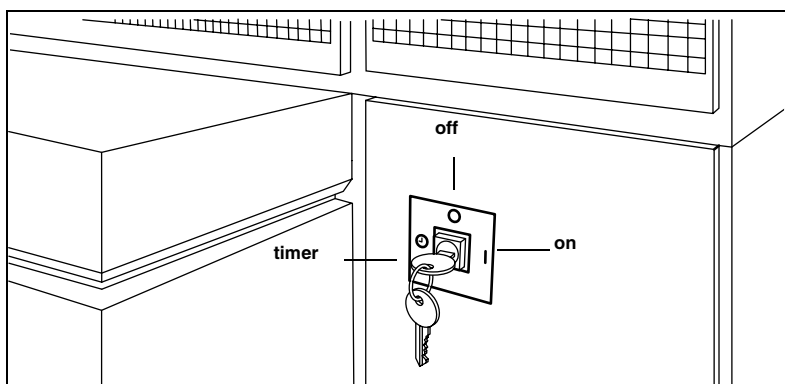
Optionals: you can order the following optionals for the Océ Power Logic® Controller:

- Océ Scan Logic® consists of Océ Scan Manager and Océ View Station LT. With Océ Scan Logic® you can perform scan to file.
- Océ Print Exec® Workgroup is a job submission application, which allows you to send print jobs to a destination device (Océ printer) from your web browser. For detailed information see ‘Print with Océ Print Exec® Workgroup’ on page 40.
- Account Logging. Account Logging is for accounting purposes, the Océ Power Logic® Controller is able to keep track of all your jobs. For each job the job info and the paper usage is stored.
- Job templates
The job templates on the scanner operator panel give you direct access to five different sets of settings. You define the template settings in the Settings Editor. You select a template on the scanner operator panel by pressing one of the five function keys. The fifth template includes the last used settings on the scanner.
- Adobe® PostScript® 3™/PDF
- 5 additional Japanese fonts for Adobe® PostScript® 3™
- Océ Matrix Logic®
Océ Matrix Logic® allows you to create, in one single operation, different copy sets from one set of scanned originals using predefined settings. See ‘Océ Matrix Logic® introduction’ on page 112.
- Stamping
Stamping allows you to print a predefined text on all your copies (see ‘Stamping’ on page 65).

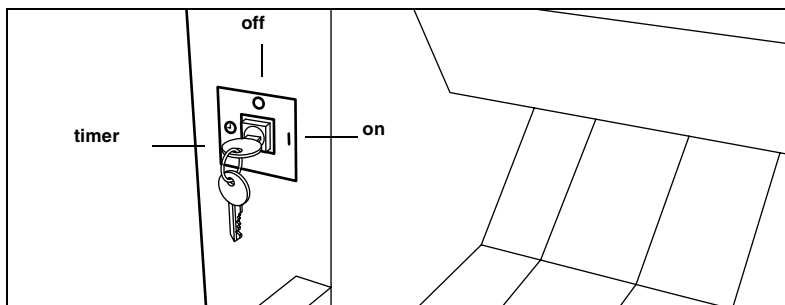
Turn on and off the Océ TDS800

You must separately turn on and off Océ TDS800 printer, scanner and the Océ Power Logic® Controller. You do not have to use a specific order in which you turn on and off the Océ TDS800 printer, scanner and the Océ Power Logic® Controller.

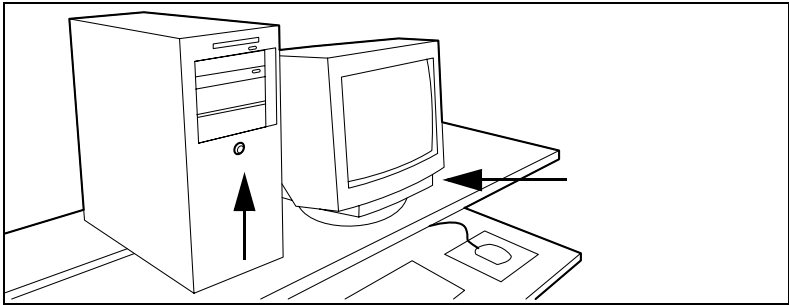
Use the key switch on the printer and scanner to turn on and off the printer and scanner. Use the On / off button on the Océ Power Logic® Controller to turn on and off the Océ Power Logic® Controller.



[2] Power switch with key in the timer position on the printer



[3] Power switch with key in the timer position on the scanner



[4] Power button on the Océ Power Logic® Controller

▼ **Turn the Océ TDS800 printer on and off**

- 1 Turn the key to the 'on' position (see Figure 2).
The system takes about 20 minutes to warm up. When the system is warmed up, the message 'Ready to...' appears on the printer operator panel.
- 2 Turn the key to the 'off' position (see Figure 2).
Note: *Before you turn off the printer, make sure that the printer is not printing a job.*

▼ **Turn the Océ TDS800 scanner on and off**

- 1 Turn the key to the 'on' position (see Figure 3)
After a few seconds the message 'Ready to print' appears on the scanner operator panel.
- 2 Turn the key to the 'off' position (see Figure 3).

▼ **Start up the Océ Power Logic Controller**

- 1 Turn on the controller and the screen.
After the initial system test of the controller the applications, Océ Queue Manager, Océ System Control Panel, Océ Settings Editor and Océ Scan Manager are automatically started and the controller applications are ready for operation.
Note: *The Océ Settings Editor is minimised to save screen estate.*

Take the following actions to turn off the controller:

▼ **Turn off the Océ Power Logic® Controller**

- 1 Go to the Océ System Control Panel application.
- 2 Select the 'Shutdown' option from the 'System' menu.
- 3 Confirm shutdown by clicking on the 'Yes' button in the 'Shut down' window.

The system automatically performs the shutdown procedure for the controller. Finally, the Windows 'Shutdown Computer' window appears, which informs you that you can turn off your computer.

You can now restart the controller by pressing the 'Restart' button.

Note: *Wait at least 5 seconds before you restart the Océ TDS800.*

- 4 Turn off your computer and display.

Timers

The Océ TDS800 is standard equipped with a number of timers for energy saving and automatic turn on and off behavior. The timers can be configured in Océ Settings editor. See Chapter 6, 'Océ Power Logic®: Settings Editor' on page 125 and the on-line help on the Océ Settings Editor for details. The Océ TDS800 has the following timers

- Low power mode timer

This timer only works for the printer. After the time defined in the Océ Settings Editor, the printer uses a little less power and cools down slightly.

Note: *You can disable the Low power mode timer in the Océ Settings Editor (see 'Find system settings in the Settings Editor' on page 139).*

- Sleep mode timer

This timer works for both the printer and the scanner. After the time defined in the Océ Settings Editor, the system receives a minimum of power (see 'Find system settings in the Settings Editor' on page 139). The screens on the operator panels turn off. The printer cools down. When you press a key on either of the operator panels, the printer or scanner activates. The printer will need to warm up before becoming operational.

- Shut off timer

This timer works for both the printer and scanner. After the time defined in the Océ Settings Editor, the system will turn off entirely (see 'Find system settings in the Settings Editor' on page 139). This timer only works when the keys in the power switch on the printer and scanner are set to the timer position.

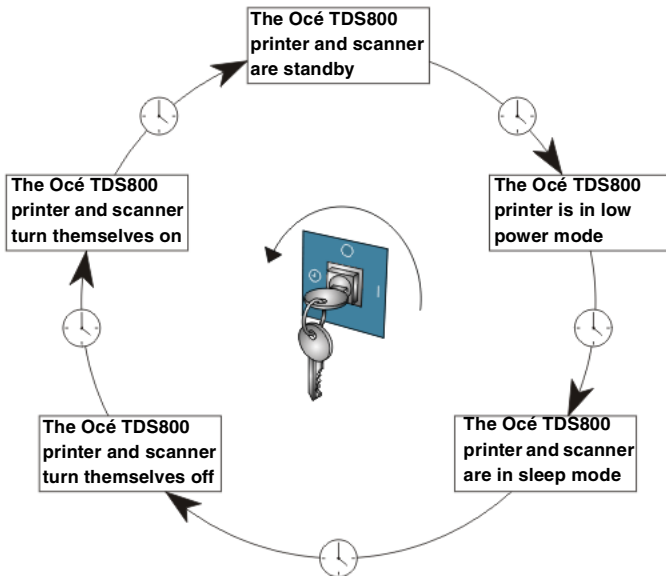
- Wake up timer

This timer works for both the printer and scanner. At the time defined in the Océ Settings Editor, the system turns on automatically (see 'Find system settings in the Settings Editor' on page 139). This timer only works when the keys in the power switch on the printer and scanner are set to the timer position.

Figure 5 on page 26 shows the flow of the timers under the following conditions:

- The system remains idle for the period defined in the Océ Settings Editor.
- Configure the timers in the Océ Settings Editor .
- The power switches of the printer and the scanner are set to the timer position (Shut off timer and Wake up timer only)

Under these conditions the timers work in a circular way. When you use this automatic flow of the Océ TDS800 timers, the system will be warmed up and ready for operation when you need it and will make economic use of power.



[5] The automatic flow of the Océ TDS800 timers.



How to configure the automatic shut off and wake up timers

- 1 Use the shut off time-out setting in the Océ Settings Editor to define after how many minutes of inactivity the printer and scanner turn off.
- 2 Use the 'First working day' and 'Last working day' settings in the Océ Settings Editor to define on which days of the week the printer and scanner automatically wake up.
- 3 Use the wake up 'Time' setting in the Océ Settings Editor to define the wake up time of the scanner and the printer on working days.



How to enable the automatic shut off and wake up timers on the printer and scanner

- 1 Turn the key to the 'off' position. See figure 2 on page 23 and figure 3 on page 23.
The Océ TDS800 turns off.
- 2 Turn the key to the 'timer' position. See figure 2 on page 23 and figure 3 on page 23.
The Océ TDS800 turns on at the time and day defined in the Océ Settings Editor.

Note: *The timers must be enabled separately on both the scanner and the printer.*

Before you enable the timers, you must first turn the system off by turning the key to the 'Off' position. When you then turn the key to the 'timer' position, the system turns on. The system remains on during the defined time in the shut off time out setting in the Océ Settings Editor. The system remains off until the defined time in the wake up time setting in the Océ Settings Editor.

Note: *The timer settings are stored local on the printer and the scanner. When the controller is turned off, the timers still function as configured on the Océ Settings Editor.*

Before you enable the automatic shut off and wake-up timers, it is possible to force the system to turn off.



How to force turn off

- 1 Turn the key to the 'off' position. See figure 2 on page 23 and figure 3 on page 23.
The Océ TDS800 turns off
- 2 Turn the key to the 'timer' position. See figure 2 on page 23 and figure 3 on page 23.
- 3 When the system wakes up, wait until the systems starts warming up.
Press any key on the operator panel to start warm up.
- 4 Turn the key to the 'off' position. See figure 2 on page 23 and figure 3 on page 23.
The Océ TDS800 turns off.
- 5 Turn the key to the 'timer' position. See figure 2 on page 23 and figure 3 on page 23
The Océ TDS800 remains turned off regardless of the timer settings defined in the Océ Settings Editor. The Océ TDS800 wakes up on the next working day at the time defined in the Océ Settings Editor.

Chapter 2

Using the Océ TDS800 to print

This chapter contains a description of the Océ TDS800 printer function.



Before you begin

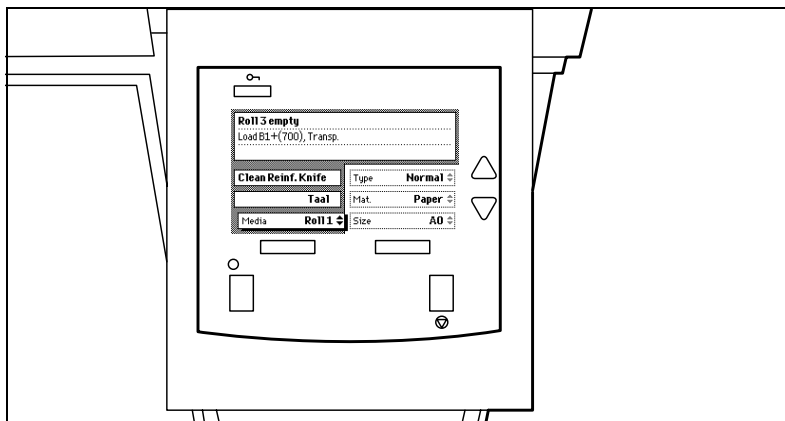
You must turn on both the Océ TDS800 printer and the Océ Power Logic® Controller before you can print. See ‘Turn on and off the Océ TDS800’ on page 23.

How to print

See 'User interaction' on page 16 for information about how to print to the Océ TDS800.

Printer operator panel

The printer operator panel consists of a number of keys and a graphical display (see Figure 6). At the top of the panel is an attention light which starts flashing when operator intervention is required.



[6] Printer operator panel

Select a language

On the operator panel of the Océ TDS800 Printer you can specify which language you want to use for displaying printer information, such as status and error messages.

By default, you can choose between two languages, which have been defined for your system by the key operator (see 'Find system settings in the Settings Editor' on page 139). The Océ TDS800 supports a total of 16 languages. See Chapter 6, 'Océ Power Logic®: Settings Editor' on page 125 and the On-line Help on the Océ Settings Editor.

Note: *If the key operator has specified only one language, it will not be possible for you to choose. In that case the language option will not appear on the operator panel.*



Select a language

- 1 Press the 'On-line' key on the printer operator panel to put the printer Off-line. The message 'Off-line' is displayed in the status window.
- 2 Press the left selection key to shift the focus to the Language option. A shadow effect is used to indicate that the focus is set to this option.
- 3 Activate the Language option by pressing the right selection key. The dotted line around the current selection is changed into an uninterrupted line and the small selection triangles next to the specified language are no longer dimmed.
- 4 Use the arrow keys to switch between the predefined languages.
- 5 The language specific elements on the display are immediately customized to reflect your language choice. Only the indicator for the language itself, is in the alternative language. This way you always know what your alternative language is.
- 6 Put the printer On-line again by pressing the 'On-line' key. The printer now uses the selected language.

Display

The graphical display offers feedback about the current printer status. It provides you with the following information:

- Status information (e.g. 'Preparing for run', 'Ready to print', 'Warming up'). During normal operation the following message types may appear:
 - Status / action message: indicates the actual status of the printer plus the action to be taken, e.g. 'Roll empty. Feed A2, plain paper'.
 - Warning message: during a warning message the printer will continue to operate, but it is possible that the print quality is not optimal, e.g. 'Fill E1 toner'.A graphical overview of available rolls and manual feeds, including the material type and size used by each roll or manual feed.
- An indication that a particular roll is empty. An empty roll is represented by a dotted roll symbol.
- In the event of an error, a graphical representation of any error location (cover or panel), together with instructions on how to solve the problem is displayed.

Counter

On the operator panel of the Océ TDS800 Printer a counter will be displayed that gives the user feedback about the progress of the job that is currently being printed. The counter, which is located at the bottom of the upper window on the operator panel, displays the number of sets and the pages printed. Counting starts at 1. The following options are available:

- When no sets are made, only the current page and the total number of pages are displayed (e.g. 'Page 3 of 5'). At the beginning of a job, when the system does not know the total number of pages yet, only the current page may be displayed (e.g. 'Page 5').
- With set input: set counter. In this case the counter shows the current, the total number of sets and the current page (e.g. 'Set 3 of 5, Page 10'). At the beginning of a job, when the system does not know the total number of sets yet, only the current set and page may be displayed (e.g. 'Set 2, Page 5').
- With set input: multiple sheet counter. In this case the counter shows the current page, the total number of pages and the current copy, e.g. 'Page 2 of 12, Copy 5'. At the beginning of a job, when the system does not know the total number of pages yet, only the current page and copy may be displayed (e.g. 'Page 2, Copy 5').
- With set input: Océ Matrix logic®. In this case the counter shows the current, the total number of sets and the current page (e.g. 'Set 3 of 5, Page 10'). At the beginning of a job, when the system does not know the total number of sets yet, only the current set and page may be displayed (e.g. 'Set 2, Page 5').

Keys

With the keys on the operator panel you can make a number of settings for the Océ TDS800 Printer, such as the media type and size or the preferred language.

The following keys are available:

Key types	
Key	Function
Selection keys	<p>The selection keys are located immediately below the graphical display. The left key can be used to activate one of the main menu choices (Language, Folding or Media) on the left part of the display.</p> <p>Note: A shadow highlighting effect is used to indicate the active menu option.</p> <p>The right selection key can be used to activate the options on the right part of the graphical display.</p> <p>Note: To identify the active selection, the dotted line around this selection is changed into an uninterrupted line and the small selection triangles next to the specified option are no longer dimmed.</p> <p>These selection triangles indicate that you can select an option from a predefined list with the help of the arrow keys.</p>
Arrow keys	<p>These two triangular keys to the right of the graphical display are used to display the next or previous option from the selected menu choice and to select the desired option.</p>
On-line key	<p>By pressing the On-line key you can put the printer On-line or Off-line. If the green light above the On-line key is on, the printer is On-line; if this light is off, the printer is Off-line.</p>
Stop key	<p>The red Stop key is used to stop the present print job. After this key is pressed, a dialog is displayed asking for confirmation.</p> <p>Note: The printing process does not stop instantaneously since a number of prints may already have been submitted to the printer after processing. The prints cannot be stopped.</p>
Extra key	<p>This key is reserved for future use.</p>

Printer operator panel actions

On the Océ TDS800 printer operator panel you can perform a number of actions:

- Set the media type
- Set the media type for manual feed
- Set the media size
- Set a special media indication
- Stop a print job
- Select the preferred languages
- Clean the reinforcement knives

Media types and sizes on the printer

One of the features of the Océ TDS800 printer is the automatic media change function. This function enables the printer to switch to another roll of the same media when there is not enough media on the current roll to finish the print run.

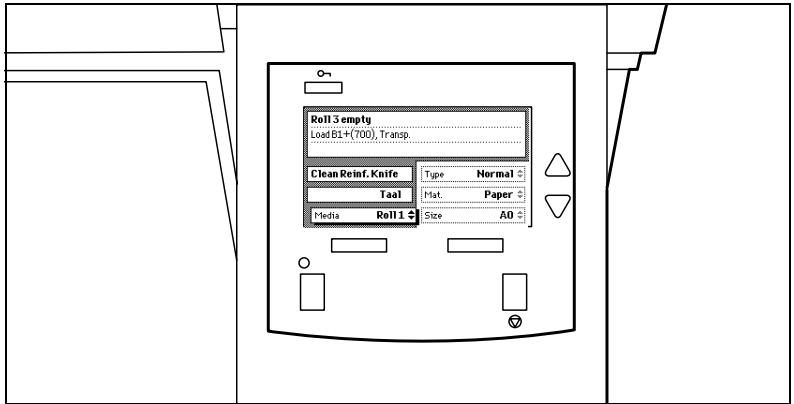
Specify media type and the media size after you load media, as described in 'Maintenance' on page 205. The Océ TDS800 supports both DIN and ANSI media formats.

See 'List of available material types and sizes' on page 253 for an overview of all materials that can be used on the Océ TDS800 Printer. See 'Overview of paper series' on page 254 for formats included in the paper series.



Set media type

- 1 Press the 'On-line' key on the printer operator panel to put the printer Off-line. The message 'Off-line' is displayed in the status window.



[7] The Printer Operator panel in Off-line mode

The focus shifts to the Media option (indicated by the shadow effect).

- 2 Use the arrow keys to select the roll or manual feed for which you have just loaded new media.
- 3 Press the right selection key to activate the Mat. (Material) option. The dotted line around the current selection is changed into an uninterrupted line and the small selection triangles next to the specified material are no longer dimmed.
- 4 Use the arrow keys to select the material you just loaded.
- 5 Press the 'On-line' key to put the printer On-line again. The printer now knows which material is used for the specified roll or manual feed.



Set media type for manual feed

- 1 Press the 'On-line' key on the printer operator panel to put the printer Off-line. The message 'Off-line' is displayed in the status window.
- 2 Press the left selection key to shift the focus to the Media option. A shadow effect is used to indicate that the focus is set to this option.
- 3 Use the arrow keys to select the Manual option.
- 4 Press the right selection key to activate the Mat. (Material) option. The dotted line around the current selection is changed into an uninterrupted line and the small selection triangles next to the specified material are no longer dimmed.
- 5 Use the arrow keys to select the material you just loaded.
- 6 Press the 'On-line' key to put the printer On-line again. The printer now knows which material is used for manual feed.

- ▼ **Set media size**
- 1 Press the 'On-line' key on the printer operator panel to put the printer Off-line. The message 'Off-line' is displayed in the status window (see Figure 7).
 - 2 Press the left selection key to shift the focus to the Media option. A shadow effect is used to indicate that the focus is set to this option.
 - 3 Use the arrow keys to select the roll or manual feed for which you have just loaded new media.
 - 4 Press the right selection key to activate the Size option. The dotted line around the current selection is changed into an uninterrupted line and the small selection triangles next to the specified size are no longer dimmed.
 - 5 Use the arrow keys to select the size for the media you just loaded. The printer shows both DIN and ANSI sizes. Select the correct format.
 - 6 Press the On-line key to put the printer On-line again. The printer now knows which media size is used for the specified roll or manual feed.

Special media indication

On the Océ TDS800 Printer, you can attach a Special indication (exclamation mark:!) to a roll or manual feed which uses special media (for instance colored paper). This indication is used to identify the roll or manual feed to the printer. For this roll or manual feed the automatic media change option is disabled.

- ▼ **Set a special media indication**
- 1 Press the 'On-line' key on the printer operator panel to put the printer Off-line. The message 'Off-line' is displayed in the status window (see Figure 7 on page 37).
 - 2 Press the left selection key to shift the focus to the Media option. A shadow effect is used to indicate that the focus is set to this option.
 - 3 Use the arrow keys to select the roll or manual feed for which you have just loaded special media.
 - 4 Press the right selection key to activate the 'Type' option. The dotted line around the current selection is changed into an uninterrupted line and the small selection triangles next to the specified type are no longer dimmed.
 - 5 Use the arrow keys to select the Special option for the specified roll or manual feed.
 - 6 Press the 'On-line' key to put the printer On-line again. The printer now knows that the specified roll or manual feed contains special material.

Stopping a print job

The red 'Stop' key on the Océ TDS800 Printer operator panel interrupts the active print process. You can cancel or continue the current print job.

▼ **Cancel a print job**

- 1 Press the 'Stop' key.
A dialog is displayed informing you that you can press 'On-line' to continue or press the 'Stop' key to cancel the job.
- 2 Press the 'Stop' key again to cancel the current job.

Note: *Printing is stopped at the end of a page. Started prints are finished.*

▼ **Continue a print job**

- 1 Press the 'Stop' key.
A dialog is displayed informing you that you can press 'On-line' to continue or press the 'Stop' key to cancel the job.
- 2 Press the 'On-line' key to continue the current print job

Print with Océ Print Exec® Workgroup

Introduction

Océ Print Exec® Workgroup is an optional print job submission application which allows you to send print jobs to the Océ TDS800 through your web browser. Enable Océ Print Exec® Workgroup with a password in the Océ Settings Editor. Océ Print Exec® Workgroup allows you to do the following.

- 1 Select and collect the files to print (documents and drawings), in a print job.
- 2 Configure the print job.
- 3 Preview the files to print.
- 4 Submit the print job.
- 5 Check the print job and the printer configuration status.

Options

Océ Print Exec® Workgroup has the following options.

- View status information about the printer configuration and available media.
- View status information of submitted print jobs in the historic queue.
- Set the document or drawing settings.
- Set the job settings for a print job.
- Add a settings configuration for a print job.
- Add a maximum of 100 documents or drawings to a print job.
- Add documents or drawings from the Océ Doc Exec® archive.
- Add a stamp to the document or drawing.
- Add a banner to the print job.
- Preview the document or drawing before you print.
- Save and retrieve print jobs.
- Submit print jobs to printer queue or inbox queue.
- Manage serveral print jobs.

Connect to Océ Print Exec® Workgroup

Requirements for the browser software and network. ■

- Microsoft® Internet Explorer® 5.0 or higher versions, or
- Netscape Navigator® 6.0 or higher versions.
- TCP/IP network which connects the printer and the end user workstation.

▼ **How to connect to Océ Print Exec® Workgroup**

- 1 Enable Océ Print Exec® Workgroup in the Océ settings editor.
(see 'Find system settings in the Settings Editor' on page 139).
- 2 Enter the following link URL in you browser: <http://printer name>.
When you enter the URL for the first time, the required software is installed automatically at your workstation.

The documentation set

The complete documentation set of Océ Print Exec® Workgroup includes the following.

- The Océ Print Exec® Workgroup user manual
- The on-line help files in the Océ Print Exec® Workgroup application.

Print with Océ Repro Desk

Introduction

Océ Repro Desk is the preferred print management solution for reprographers. Océ Repro Desk consists of the following two parts.

- Océ Repro Desk Remote software which facilitates the electronic submission of drawing files and print request from the clients to their reprographers.
- Océ Repro Desk Server which provides the reprographers with extensive print management and accounting functions to maximise the productivity of their print equipment assets.

The documentation set

The complete documentation set of Océ Repro Desk includes the following.

- The Océ Repro Desk user manual
- The on-line help files in the Océ Repro Desk applications.

Chapter 3

Using the Océ TDS800 to Copy

This chapter contains a description of the interface of the Océ TDS800 scanner and the copy function on its operator panel.



Before you begin

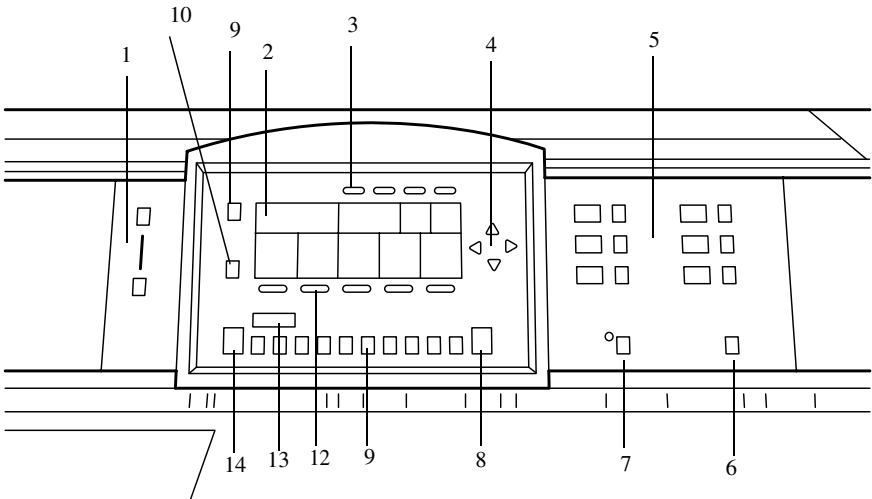
You must turn on both the Océ TDS800 scanner and the Océ Power Logic® Controller before you can perform copy jobs. See 'Turn on and off the Océ TDS800' on page 23.

Scanner operator panel

Press the green Start key on the scanner operator panel to start the original transport on the scanner. To perform more complex copy jobs, change the default settings on the scanner operator panel.

The scanner operator panel is located above the original feed. As you can see in figure 8 on page 45. The panel consists of a display in the center surrounded by a number of function, section and 'Arrow' keys. To the left of the display, you can find the Stop and Job interrupt keys and below the display you can find the Start, Numeric and Correction keys.

This section consists of two parts. The first part explains the basic use of the keys. The second part deals with special use of the display. It describes how to use the soft keys above and along the sides of the display to define your copy settings.



[8] Scanner operator panel

- 1 The exposure control
- 2 The display
- 3 The Section keys
- 4 The Arrow keys
- 5 The Media selection keys
- 6 The Manual feed key
- 7 The Auto roll key
- 8 The Correction key
- 9 The Stop key
- 10 The Job interrupt key
- 11 The Numeric keys
- 12 The Function keys
- 13 The numeric display
- 14 The Start key

Exposure control The exposure control is located on the left side of the operator panel. The scale displays the current exposure rate. Control the exposure with the keys. More exposure makes the output darker. Less exposure makes the output lighter.

The Media selection keys There are 6 Media selection keys, one for each roll. Press the Media selection key to select the roll with the required format and media type.

The Manual feed key If you want to copy on a material type or size that is not available in one of the roll compartments, press the manual feed key. The key is located on the right section of the operator panel.

The Auto roll key If you select auto roll, the Océ TDS800 will try to use a roll format that matches the original size. After inserting the original, the roll that is used is indicated on the operator panel.

When auto roll is selected, the Océ TDS800 will look for a matching roll of the 'Standard' copy material. If such a roll is not found, it will try to find a matching roll of another type of material. The Key Operator can define the 'Standard' copy material.

When automatic zoom is selected on the display of the operator panel, together with auto roll, the size of the matching roll does not necessarily have to be the same as the size of the original.

The Correction key The orange key marked with C is located at the bottom of the central section of the operator panel. Press the Correction key one time to reset the selected setting to its default value. Press the Correction key two times to reset the numeric display to '1'. Press the Correction key three times to return to the first screen on the display.

The Stop key Press this red key to Stop the job. For more information see 'Stop a job' on page 63.

The job interrupt key You use the Job interrupt key to set extra priority to your copy job or to remove extra priority from your copy job. Determine the priority of your copy job with the Job interrupt key before you scan your originals. The job is placed on top of the printing queue in the queue manager. The interrupt job will start running directly after the current printing page is completed. No new job is send to the printer.

The Numeric keys The keys with numbers on the lower part of the middle operator panel are used to specify numbers. Values you can set with the numeric keys include: the number of copies or sets up to a maximum of 999, zoom factor, user id, and account id.

The 'numeric display Displays the number of sets or copies, set with the numeric keys.

The Start key Use the green Start key to start the feeding of the original, to restart the scan process, or for other purpose such as to mark the end of a set.

Section, Function and Arrow keys

Apart from the above mentioned keys, the operator panel of the Océ TDS800 scanner contains a number of other keys. These include:

- Section keys
- Function keys
- 'Arrow' keys.

The Section keys are the four keys located above the display. These keys provide access to the 'Custom', 'Original' and 'Copy' sections on the display.

Each section contains several function cards. These can be accessed with the help of the left most Function key.

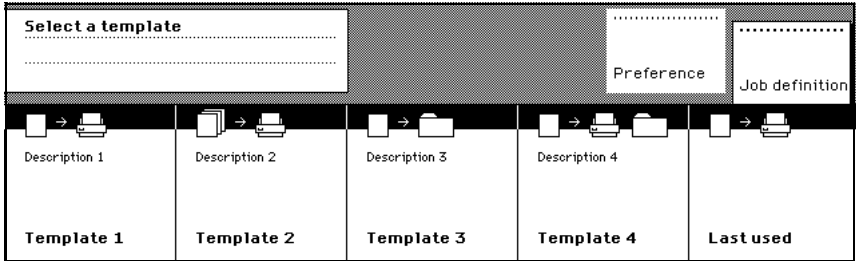
The five "Function" keys below the display allow you to select functions or subfunctions within a card.

Finally, the 'Arrow' keys can be used, like the Numeric keys, to define numeric settings. The 'Arrow' keys can be used to increase or decrease the active value by 1; the left 'Arrow' and right 'Arrow' keys can be used to increase or decrease the active value by 10. Exception to this rule is the selection of zoom values. Here, the left 'Arrow' key can be used to browse through the predefined reduction steps and the right 'Arrow' key to browse through the predefined enlargement steps.

The 'Arrow' keys are also used for selecting subfunctions.

Sections on the display of the scanner operator panel

When the job templates are enabled, the scanner operator panel displays the templates (see Figure 9). You need to select a template before the sections will display.



[9] The job templates at the bottom of the scanner operator panel.

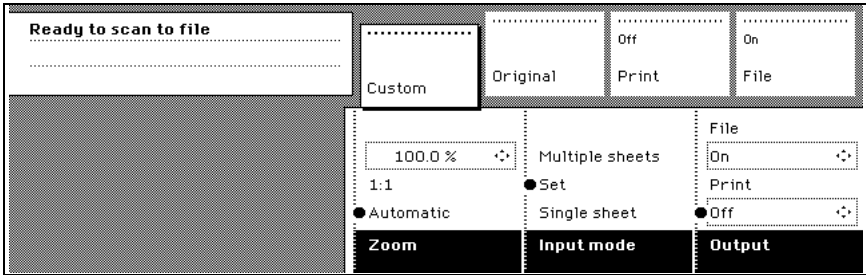
When the job templates are disabled or you selected a job template, the scanner operator panel displays the following sections with an active 'Custom' section (see Figure 10 on page 50).

- The 'Custom' section which provides direct access to frequently used settings, defined by the customer.
- The 'Original' section which provides access to the settings of the scanner input, the original.
- The 'Print' section which provides access to the settings of the printer output, the print.
- The 'File' section which provides access to the settings of the scan-to-file output, the file.

Custom section

The 'Custom' section contains the frequently used settings. Figure 10 on page 50 shows an example with the following settings.

- Zoom
- Input mode
- Output



[10] The sections at the top with an active 'Custom' section (default)

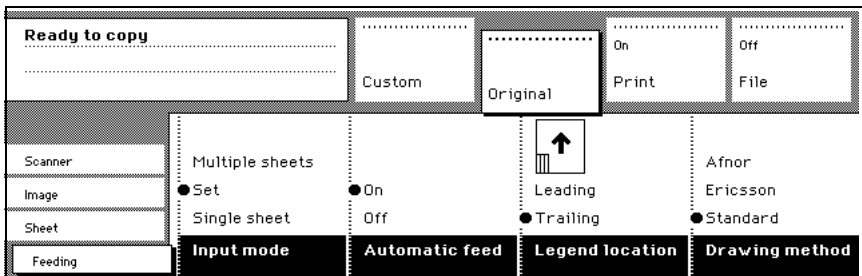
The key operator defines the contents in the Océ Settings Editor on the Océ Power Logic controller (see 'Define the contents of the custom card' on page 136). The key operator can change the contents, dependent on your configuration, for example into the following settings.

- Folding
- Language
- Exposure

Original section

The 'Original' section contains all settings for the scanner input, the original (see Figure 11 on page 50). The settings are divided over the following cards.

- Scanner
- Image
- Sheet
- Feeding

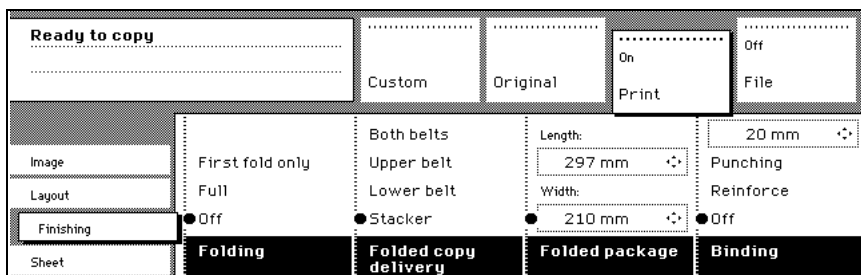


[11] The cards of the 'Original' section at the left side with an active 'Feeding' card

Print section

The 'Print' section contains all settings for the printer output, the print (see Figure 12 on page 51). The settings are divided over the following cards.

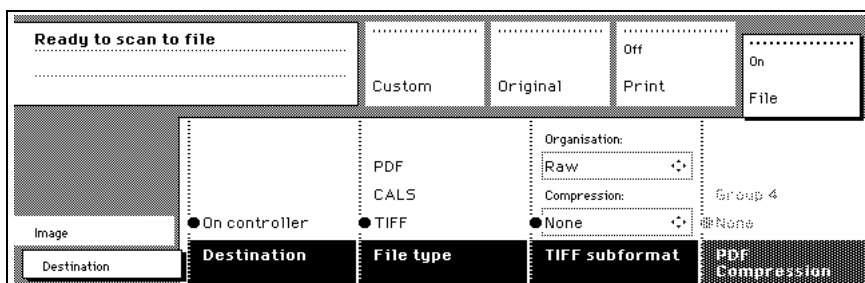
- Image
- Layout
- Finishing
- Sheet



[12] The cards of the 'Print' section at the left side with an active 'Finishing' card.

File section

The 'File' section contains all settings for the scan-to-file output, the file (see Figure 13 on page 51). The 'File' section is only available if you have the scan-to-file option installed (see Chapter 4, 'Using the Océ TDS800 to scan-to-file' on page 67).



[13] The cards of the 'File' section at the left side with an active 'Destination' card.

Job templates

A job template contains all settings for a job. Figure 9 on page 49 shows an example with the following job templates.

- Template 1
- Template 2
- Template 3
- Template 4
- Last used

The key operator defines the settings in the Océ Settings Editor on the Océ Power Logic controller (see 'Define the job templates' on page 137). The key operator can change the job template names, except for 'Last used', for example into the following job names.

- Single copy
- Set copy
- Matrix copy
- Scan-to-file
- Last used

When you select the 'Last used' job template, you recall all settings from the previous job. You can change the settings or do the same job again. The 'Last used' job template does not display when you turn on the scanner.

After you select a template, the sections display. The sections provide access to the settings for the scanner input, the printer output and the scan-to-file output (see 'Sections on the display of the scanner operator panel' on page 49). Use the Custom Card here to provide access to frequently used settings referred to the type of job.

Change the operator panel language

It is possible to change the operator panel language. You can choose between two preferred languages. Define the first and second language on the Océ Settings Editor (see 'Find system settings in the Settings Editor' on page 139). The Océ TDS800 supports a total of 16 languages. See Chapter 6, 'Océ Power Logic®: Settings Editor' on page 125 and the On-line Help on the Océ Settings Editor.

▼ **How to select a language**

- 1 Open the 'Scanner' card in the 'Original' section.
- 2 Press the 'Language' function key to set the needed language.

Change default settings on the scanner operator panel

When job templates are enabled in the Océ Settings Editor, the job templates are displayed on start-up of the Océ TDS800 scanner (see Figure 9 on page 49). When job templates are not enabled in the Océ Settings Editor, the 'Custom' section is displayed on start up (see Figure 10 on page 50).

▼ **How to change default settings**

- 1 Select a template (only applies when job templates on the scanner operator panel are enabled in the Océ Settings Editor).
- 2 Press one of the Section keys to activate the desired menu.
Note: *The active menu is slightly moved downwards to visually separate it from the other menus. Apart from that, a shadow highlighting effect is used for extra highlighting.*
- 3 Press the Selection key to select the appropriate card. You can switch cards (from bottom to top) by pressing the key again.
Note: *Here, too, the active card is visually separated from the other cards and given a shadow highlighting effect for extra highlighting.*
- 4 Select the desired function values in one of the following ways:
 - Simple (non-numeric) selection: press the Function key to activate the desired (non-numeric) value. The selected value is preceded by a '●' symbol.
 - Long list selection: if you want to select a value from a list of options that can not be fully displayed on the panel, you first activate the selection triangles next to the specified option (the dotted line around this selection is changed into an uninterrupted line and the selection triangles are no longer dimmed), which indicate that there are additional options available and then select one of the non-displayed values with the 'Arrow' keys. The 'Original type' setting demonstrated in figure 11 on page 50 is an example of this.
 - Numeric selection: activate the selection triangles and select the desired value with the 'Arrow' keys or with the numeric keys.

Also a combination of simple selection and numeric selection is possible.

The Correction key use the Correction key to do the following:

- 1** Press the Correction key one time to return to the default value of the active setting.
- 2** Press the Correction key two times to set the numeric display to 1.
- 3** Press the Correction key three times to return to the top layer of the Scanner Operator Panel. When job templates are enabled in the Océ Settings Editor the top layer shows the job templates. When job templates are not enabled in the Océ Settings Editor, the top layer shows the 'Custom' section.

When 'Automatic feed' is selected for a single sheet job, this setting stays active.

Job interrupt only stays active for one job. You have to press the Job interrupt key before each new job you want to give interrupt priority.

The Scanner Operator Panel will automatically return to the top layer and the default settings after the time defined in the 'Panel Time-out' setting in the Océ Settings Editor (see 'Find system settings in the Settings Editor' on page 139).

Perform basic copy jobs

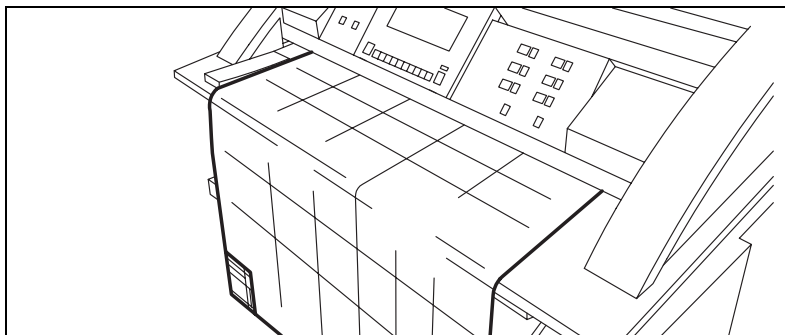
On the Océ TDS800 scanner operator panel you perform a number of basic tasks. These include:

- Make copies
- Select the required media
- Select the input mode
- Specify the zoom factor
- Define settings for the next original
- Account logging
- Using the manual feed for copy jobs
- Define delivery of copies
- Stop a job
- Interrupt a job
- Stamping

Make copies

- 1 Place your original face-up, left aligned along the original guide. Keep the legend at your left hand side.

Note: *When you feed the original, keep it in place until it is transported (about 1 cm) into the machine.*



[14] Insert the original

- 2 Specify the number of copies using the numeric keys.
- 3 Specify the 'Paper series' on the 'Sheet' card in the 'Original' section.
- 4 Specify the desired media on the operator panel.

If you select 'Automatic' the Océ TDS800 will try to use a roll format that matches the specified size.

Select a specific roll to use the media you want.

If you select 'Automatic', the Océ TDS800 will use a zoom factor that is needed to obtain a copy without loss of information. After inserting the original, the zoom factor that is used is indicated by the '●' symbol.

Note: *The zoom factor is based on the selected media size.*

- 5 Specify the desired brightness on the operator panel.
You can use the 'Brightness' setting to correct for a lighter or darker original.
- 6 Specify a reduction or enlargement factor on the operator panel by using the 'Zoom' function.
- 7 Specify folding options on the operator panel.
If the optional folder is installed, you can use the 'Folding' settings to get a neatly folded copy.
- 8 Press the green start key to start the copy job.
Your original will be fed into the scanner. The printer starts.
- 9 Collect your output.
Your copy will be delivered on the selected output unit of the print engine.

Select the required media

The 'Media' setting can be used to select media and format. The display will show you what media rolls are currently loaded. If you select 'Automatic', the Océ TDS800 will try to use a roll that matches the original size. After inserting the original, the roll that is used is indicated by a led that is on.

Note: *The led remains on until a new original is inserted.*

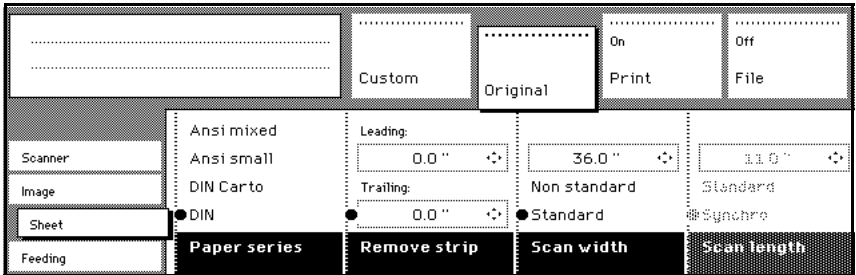
Select the media type and paper series on the scanner operator panel. First select the paper series, then select the media size. Only the media in the defined paper series are available.

(see Table on page 254).

Attention: *Selecting another paper series than is actually loaded on the printer can cause information loss on the output.*

▼ **Select the paper series**

- 1 Select the 'Sheet' card in the 'Original' section
- 2 Select the required paper series with the 'Paper series' function key



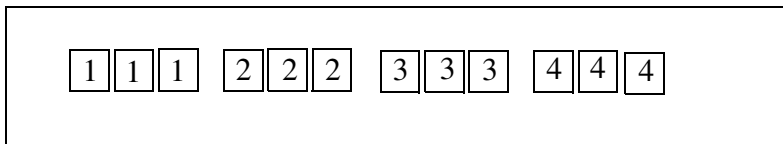
[15] Select the required paper series

▼ **Selecting the required media**

- 1 Select the one of the six rolls on the scanner operator panel.
The corresponding led turns on.

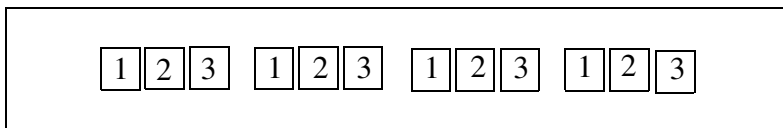
Select the input mode

You can use the 'Input mode' setting to specify how a job will be sorted: the 'Single sheet' option treats each sheet as a separate job. 'Multiple sheets' produces the specified number of copies for each sheet in a job and then continues with the next sheet. Graphically this looks as follows:



[16] The principle of 'Multiple sheets'

'Set' produces one copy for each sheet in a set and then continues with the next copy of the entire set, as follows:



[17] The principle of 'Set'

See 'Make a set copy' on page 111.

The input mode Matrix copy enables you to create several print jobs out of one scanned set. See Chapter , 'Océ Matrix Logic® introduction' on page 112.

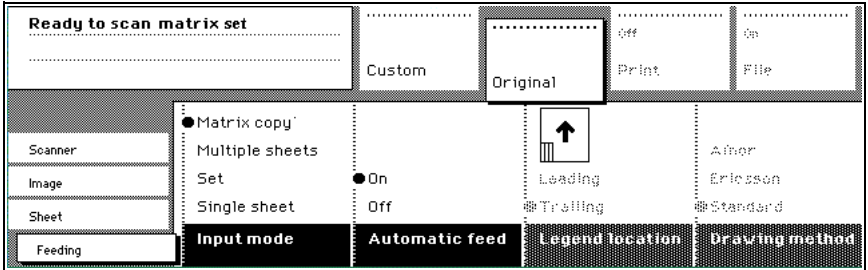
The current input mode can be closed by pressing the Stop key.

The currently selected input mode is indicated by the '●' symbol.



Select the input mode

- 1 Select the 'Feeding' card in the 'Original' section.
- 2 Select the input mode with the 'Input mode' function key.



[18] Select the input mode

Note: You can also select the input mode from the 'Custom' section (if this setting has been defined for this).

Specify the zoom factor

You can use the 'Zoom' setting to select a zoom factor.

▼ Selecting the zoom factor

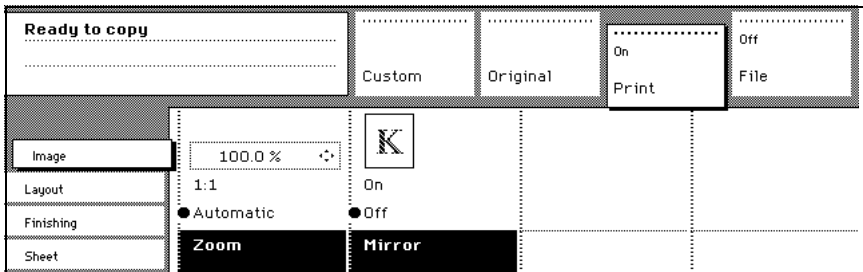
- 1 Select the 'Image' card in the 'Print' section.
- 2 Select Automatic, 1:1, or set the zoom factor on the display of the operator panel

- Automatic zoom selection: the system automatically calculates the zoom ratio based on the original size and the output media size
- 1:1: Results in an image that is exactly the same size as the original.
- Set the zoom factor on the display of the operator panel:

Use the 'Arrow' keys on the right of the display (see Figure 8 on page 45). If you press one of the vertical keys, the zoom factor will increase or decrease with steps of 0.1%. If you press one of the horizontal keys, the zoom factor will increase or decrease with the steps predefined in the Océ Settings editor by the key operator (see 'Find system settings in the Settings Editor' on page 139).

Use the numeric keys at the bottom of the operator panel. You can specify the exact zoom factor with 0.1% increments.

For example, if you want to specify a zoom factor of 25.4%, you type 254. If you want to specify a zoom factor of 254%, you type 2540.



[19] Selecting the zoom factor

Note: You can also select the zoom factor from the 'Custom' section (if this setting has been defined for this).

Define settings for the next original

You can define the settings for each original you want to copy. When 'Automatic feed' is enabled, you should bear in mind that the original is automatically pulled into the scanner. If you want to be absolutely sure about the settings that belong to an original, insert an original when the settings are correct.

Note: *You can turn off Automatic feed on the scanner. This offers you the possibility to change the settings for the next original, even if you already put the original in place on the scanner feed table.*

▼ Define settings for the next copy job

- 1 Select all settings required for the next original.
- 2 Insert the next original.

If 'Automatic feed' is off, press the start key.

If 'Automatic feed' is on, the original is fed automatically.

Note: *You can enable or disable this function from the 'Scanner' card in the 'Original' section.*

Account logging

For accounting purposes, the system is able to log job information for each job. The job identification attributes and the number of print jobs are logged in the account file. For more information on account logging see chapter 10 on page 171.

Note: *The account settings are only available if the accounting option is enabled in the system configuration.*

The screenshot shows the 'Ready to copy' screen of a scanner. At the top, there are several buttons: 'Custom', 'Original', 'On Print', and 'Off File'. The 'Original' button is highlighted. Below these buttons, there is a 'Scanner' card with a 'Feeding' section. The 'Feeding' section is expanded to show the 'Account' function, which includes fields for 'User ID' and 'Account ID'. The 'Account ID' field has a radio button selected next to it. The 'Account' section is highlighted in black.

[20] Accounting function

▼ **Select accounting**

- 1 Open the 'Scanner' card in the 'Original' section.
- 2 Select 'Account id' or 'User id' with the section key.
- 3 Set the needed 'Account id' or 'User id' with the 'Arrow' keys.

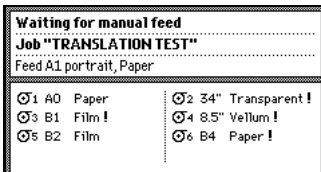
Using the manual feed for copy jobs

If you want to copy a job on a media type or size that is not available on one of the media rolls, it can be convenient to manually feed cut sheets instead of switching media rolls. The manual feed is a special slot just above the roll drawers on the printer engine. You can insert pre-cut copy material in this slot, one sheet at a time.

Note: Only use media as specified in 'List of available material types and sizes' on page 253.

▼ **Copying on pre-cut sheets**

- 1 Press the Manual feed key on the Scanner.
- 2 Select any required other settings.
- 3 Enter the number of copies using the numeric keys.
- 4 Feed the original. The printer display looks as follows:



[21] The printer operator panel with manual feed message

- 5 Press the start key.
- 6 Take your sheet of copy material to the side of the printer engine that contains the Manual feed.
- 7 Use both hands to align the copy material in accordance with the format indication and the sticker on the manual feed table.
- 8 Move the copy material forward in the nip of the roller. This must cause an ample paper bulge over the full width of the page.
- 9 Hold the paper with both hands until the engine pulls in the first part of the sheet.
The bulge will be reduced or it will disappear. A few seconds later the complete sheet will be pulled in the printer.

Note: If the copy job requires more sheets, the display will ask you to feed the next sheet.

- 10 Repeat steps 7 to 11 to complete the job.
- 11 Collect your output.

Stop a job

Pressing the Stop key interrupts the original transport.

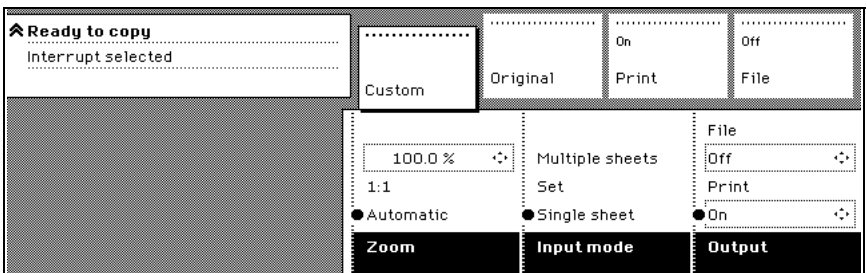
▼ How to stop a job

- 1 Press the Stop key.
The original transport is now stopped and you are prompted to open the scanner cover in order to remove the original.
- 2 Open the cover.
- 3 Remove the original.
- 4 Close the cover.
You are now ready to start the next copy job.

Interrupt a job

Press the Job interrupt key on the scanner operator panel to give extra priority to a copy job. When you press the Job interrupt key your copy job will be placed on top of the printing queue. When you select Job interrupt a message appears on the scanner panel display (see 'Feedback on the scanner panel display when Job interrupt is selected.' on page 63).



An interrupt job will interrupt a copy job at page level. You can create many interrupt jobs, but an interrupt job cannot interrupt another interrupt job.



[22] Feedback on the scanner panel display when Job interrupt is selected.

The print process will be interrupted after the current page is printed. The transport of originals on the scanner will not be interrupted.

▼ **How to interrupt a job**

- 1 Press the Job interrupt key on the Scanner operator panel.
The printer interrupts the active job and stops after the current page is printed. The Océ Queue Manager displays the interrupt job in the print queue at the active job position .
The Océ Queue Manager displays the interrupted job with the icon  .
The Océ Queue Manager displays the interrupt job with the icon  .
The Océ Queue Manager changes the exit interrupt button from gray into colored and changes this button into the active condition.
- 2 Make copies (see ‘Make copies’ on page 55).
- 3 Press the Job interrupt key again to do another interrupt job.
Press the Exit interrupt button at the Océ Queue Manager to continue with the interrupted job and collect the output at a later time.
Collect the output and press the Exit interrupt button at the Océ Queue Manager to continue with the interrupted job.

Managing of interrupt jobs in the Océ Queue Manager

There can be several new jobs in the queue during Job interrupt. They are put in a First In First Out sequence. In the Océ Queue Manager you can manage interrupt jobs in following way:

- An interrupt job can be canceled in Océ Queue Manager.
- An interrupt job can be put on hold. An interrupt job will lose its priority position in the queue when put on hold.
- When there are more interrupt jobs, an interrupt job can be moved to the top of the printing queue.
- When job interrupt is enabled on the scanner operator panel, you must use ‘Exit interrupt’ button on the toolbar to continue the normal, interrupted, jobs.

▼ **Continue interrupted jobs**

- 1 Press the ‘Exit interrupt’ button
The system continues the interrupted jobs after the interrupt jobs are completed.

Stamping

Stamping is an Océ TDS800 option which allows you to print a predefined text on all your copies. Enable stamping with a password in the Océ Setting Editor. The key operator can predefine a maximum of 50 stamps in the Océ Settings Editor (see 'Find system settings in the Settings Editor' on page 139).

You can select one stamp per original and you can select a colour, font size or position. A stamp can consist of the following parts:

- predefined text
- date
- time

▼ **How to select a stamp**

- 1 Open the 'Stamping' card in the 'Print' section.
- 2 Select stamp 'On' with the 'Enable' function key.
- 3 Select a stamp with the 'Select stamp' function key.

Note: *the following steps are optional.*

- 4 Select a 'Colour' with the 'Format stamp' function key and the arrow keys.
- 5 Select a 'Size' with the 'Format stamp' function key and the arrow keys.
- 6 Select a position with the 'Stamp position' function key and the arrow keys.

Chapter 4

Using the Océ TDS800 to scan-to-file

This chapter describes the scan-to-file function of the TDS800. This chapter contains a description of the interface of the Océ TDS800 scanner, and of Océ Scan Manager and Océ View Station LT applications on the Océ Power Logic® controller



Before you begin

You must switch on both the Océ TDS800 printer and the Océ Power Logic® Controller before you can scan-to-file. See ‘Turn on and off the Océ TDS800’ on page 23.

Scanner operator panel

For a description of the scanner operator panel and how to perform actions on the scanner operator panel, see the 'Scanner operator panel' on page 45.

Océ Scan Logic®

Océ Scan Logic® is an option which enables you to scan a document to a file for later use. You enable scan-to-file with a password in the Océ Settings Editor (see 'Find system settings in the Settings Editor' on page 139).

You use scan-to-file to:

- print documents at a later time
- archive documents
- email documents
- reuse the information documents contain in another applications

A scan-to-file is made at the Océ TDS800 scanner. On the scanner operator panel you can select at which resolution you want to scan and where you want to store your file.

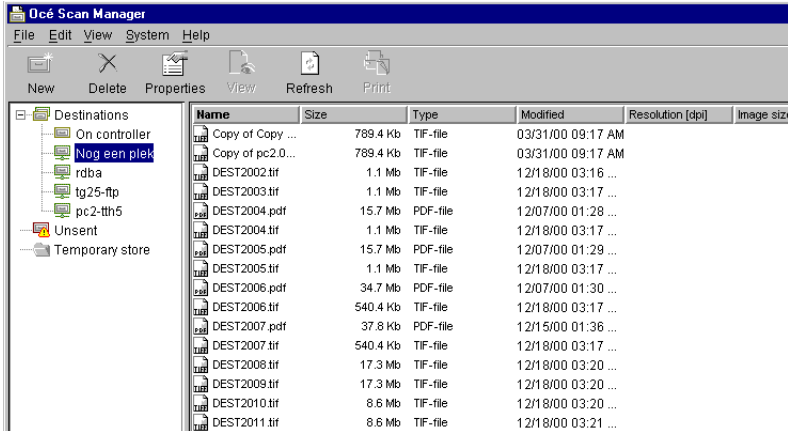
The result of the scan-to-file can be stored local on the controller (temporary store) or directly on a network destination via SMB or FTP.

Océ View Station LT® enables you to view the scanned documents. Océ View Station LT® starts up from the Océ Scan Manager application. Select Auto view to automatically start up Océ View Station LT® after scan to file.

Scan clicks

The Océ TDS800 measures the area of media that you scanned during scan to file operations. You view the scan click count in the bottom right corner of Océ Scan Manager (see Figure 23 on page 71).

The scan click count is measured in square feet or square meters (see ‘Find system settings in the Settings Editor’ on page 139). You set the measurement unit in the Océ Settings Editor (see Chapter , ‘Measurement’ on page 94).



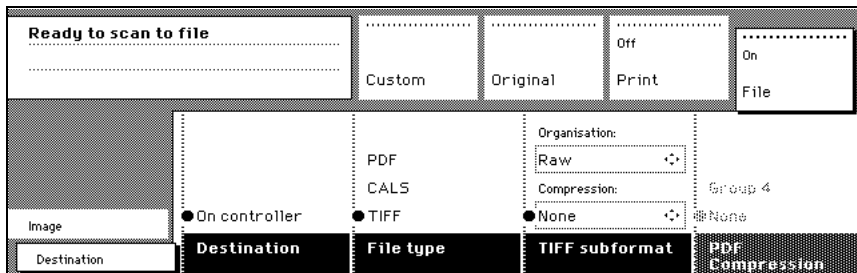
[23] Scan click count in Océ Scan Manager

Make a scan-to-file

Do the following to scan an original to file.

▼ How to scan to file

- 1 Place your original face-up, left aligned along the original guide.
- 2 Select the appropriate original type.
- 3 Select the 'Destination' card in the 'File' section.



[24] 'Destination' card in the file section

- 4 Select 'File mode' On.

The status message displays: Ready to scan to file.

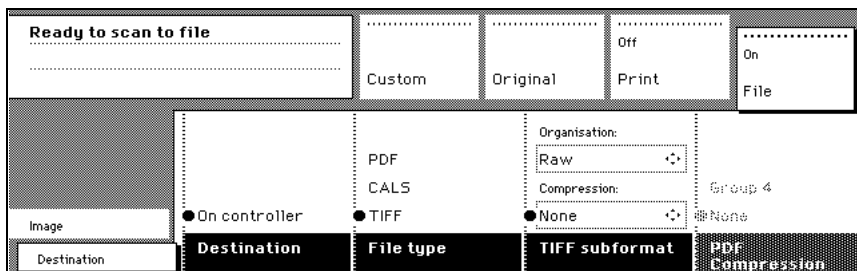
- 5 Select a Destination (see 'Destinations' on page 82).
- 6 Set the correct settings. (see Chapter , 'Settings for scan-to-file' on page 74)
- 7 Press the start key.

The original is scanned.

A status message displays (see Figure 25 on page 72):

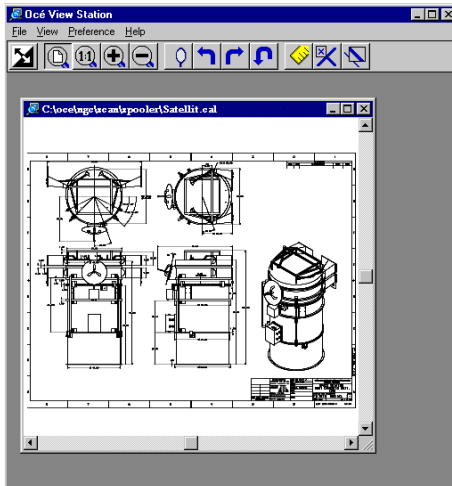
'Scanning job' 'Scan job number X'

'File scan22.tif'



[25] File card on the Scanner operator panel

- 8 When 'System' - 'Auto view' is enabled on the Océ Scan Manager, Océ View Station LT® starts automatically, showing the result of the scan (see Figure 26).



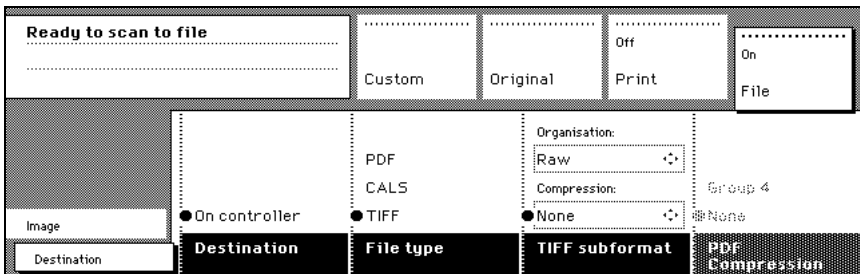
[26] Océ View Station LT

Settings for scan-to-file

The settings for scan-to-file on the scanner operator panel are divided into two cards: Destination and Image.

Destination card:

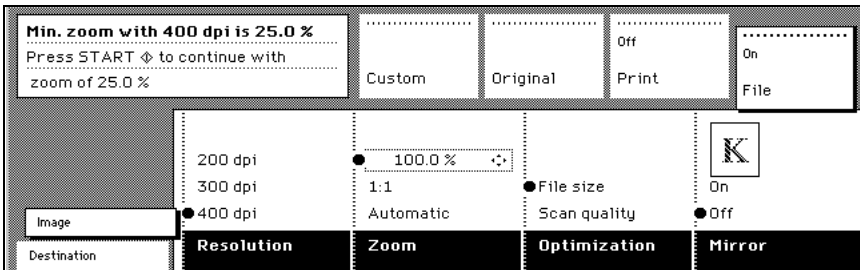
- Destination
- File type
- TIFF sub format
- PDF compression



[27] Scanner operator panel: Destination card

Image card:

- Resolution
- Zoom
- Optimisation
- Mirror



[28] Scanner operator panel: Image card

File mode

File mode can be 'Off', 'On' or 'On with checkprint'. 'Off' means scan-to-file is not active. 'On' means scan-to-file is active. To scan to file with a checkprint, activate both the file mode and the print mode on the scanner operator panel. The checkprint quality corresponds to the scan resolution. A checkprint is a print of the scanned original, ensuring consistency with a later print of the scanned file.

▼ **How to scan to file with checkprint**

- 1 Press the section key above the File section two times
The File mode is switched on
- 2 Press the section key above the Print section two times
The Print mode is switched on
- 3 The system is now ready to scan-to-file with checkprint.

Note: *The Océ TDS800 system does not allow you to change the 'File mode' setting during a set from 'On' to 'Off' and the other way round. However changing from 'On' to 'On with checkprint' and vice versa is allowed.*

Note: *In scan-to-file mode the automatic behavior is optimised for scanning. Turning checkprint on or off does not influence this automatic behavior.*

Destination

You can store your scan either in the temporary store on the controller or on a network destination. You can define up to ten destinations in the Océ Scan Manager application. Select the destinations defined in Océ Scan Manager on the scanner operator panel. You can only select one destination at a time.

▼ **Select a destination**

- 1 Press the function key to select destination.
Note: *Define the names of the destinations in Océ Scan Manager (see 'Create a local destination' on page 82).*

File format

To define the internal organisation of the scanned files, choose between TIFF (Tagged Image File Format) and CALS-I (Continuous Acquisition and Life-Cycle support), or PDF (Portable Document Format).

TIFF describes image data that typically comes from scanners, frame grabbers, and paint- and photo-retouching programs. The purpose of TIFF is to describe and store raster image data. A primary goal of TIFF is to provide a rich environment within which applications can exchange image data. This richness is required to take advantage of the varying capabilities of scanners and other imaging devices. For example TIFF supports lossless image compression. Though TIFF is a rich format, it can easily be used for simple scanners and applications as well because the number of required fields is small.

CALS is an industry strategy for transition of paper-intensive processes to highly automated, integrated processes for defense system acquisition, design, manufacturing, and life cycle support.

PDF Portable Document Format (Adobe® Postscript® 3™ /PDF) is a file format that has captured all the elements of a printed document as an electronic image that you can view, navigate, print or forward.

Tiff sub format

Within the 'Tiff sub format' option, you can define the 'Organization' and 'Compression' of the file.

Organization can be (select with the arrow keys):

- Striped
- Tiled
- Raw

Note: *Only choose 'Striped' or 'Tiled' when you are sure you can use these organizations afterwards. Choose 'Raw' in any other case.*

Compression can be (select with the arrow keys):

- Group 4
- Group 3-1D
- None

Note: Only choose 'Group 4' or 'Group 3-1D' when you are sure you can use these compressions afterwards. Choose 'None' in any other case.

Note: If you scan greyscales or dark originals then use Group 3-1D compression. In these cases group 4 can increase the file size.

Note: 'Group 4' or 'Group 3-1D' are compression methods which are optimized for text and vector drawings. If you choose these compressions when scanning a photo with many greyscales these compressions can result in a negative compression: the file size increases instead of decreases. So use these compressions with care.

PDF compress

Within the 'PDF compress' option, you can define the 'Compression' of the file.

Compression can be (select with the arrow keys):

- Group 4
- None

Note: Only choose 'Group 4' when you are sure you can use this compression afterwards. Choose 'None' in any other case.

Resolution

The Océ TDS800 scan-to-file option allows you to scan at the following three resolutions:

- 200 dots per inch (dpi)
- 300 dpi
- 400 dpi

The higher the resolution the better the image quality. Higher resolution also leads to larger file sizes. The default value is 200 dpi.

Zoom

The 'Zoom' option allows you to scale while scanning to a file. When you set 'File mode' to 'On' then the automatic 'Zoom' setting will result in '1:1'. You can change this default setting into one of the following three settings:

Custom This option lets you specify a custom zoom value. You can enter a range from 25% through 400%. This value also shows the zoom value when the option 'Automatic' is chosen.

1:1 With this option selected, scan-to-file will result in an image that is exactly the same size as the original. 'Zoom' displays 100%.

Automatic Selecting 'Automatic' always results in a 1:1 scan-to-file.

Optimisation

There are two ways to optimise a scan-to-file

Scan quality optimises for the best image quality. The scan resembles the original as close as possible.

File size optimises for better compression. Generally resulting in a smaller file size. Image quality can slightly decrease.

Mirror

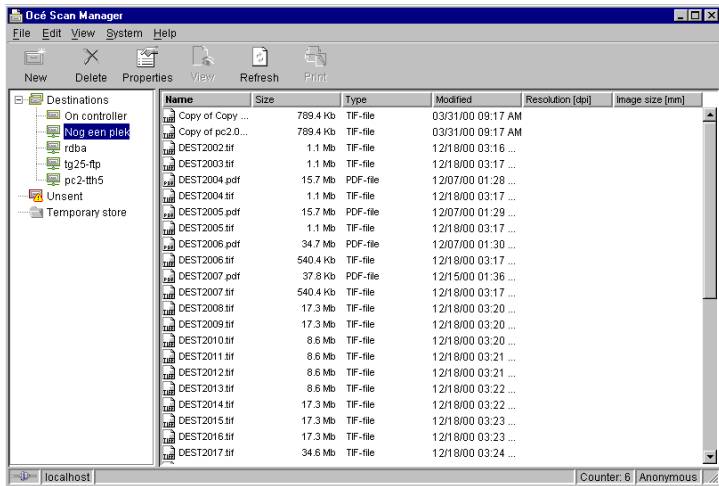
You can use the 'Mirror' option to scan a horizontally mirrored image of an original. Mirroring is performed in the vertical axis.

Océ Scan Manager

The Océ Scan Manager is an application available only local on the Océ Power Logic® controller. With the Océ Scan Manager you can configure the destinations for scan-to-file. To increase your productivity you can define automatic file naming. This way you can do batch scans without operator the controller.

During scan to file, Océ Scan Manager displays the file name and the status of the file generation process. When the scan is completed a view of the scanned image is automatically displayed on the controller.

Figure 29 on page 79 shows the Océ Scan Manager application. The left part displays a tree view containing folders containing destinations. The right part displays a table view containing the content of the folder currently selected. In 29 on page 79 folder 'Next Dest(8)' is selected.



[29] Overview of the Océ TDS800 Océ Scan Manager application

Note: Not all options are available to all users. You must log on to a particular user mode to perform specific tasks with Océ TDS800 Océ Scan Manager (see 'User modes' on page 163).

Tree view

The tree view displays:

- the system name
- the collapsible destination tree
- the collapsible temporary store tree.

If you scan to a particular destination, that destination is displayed **bold** and the corresponding icon changes. The destination you scanned last to, is displayed bold.

If you select a destination, to view it's content in the right table view, this destination will show selected.

If for any reason a scan-to-file cannot be sent to the appropriate remote destination, the file will be stored in the 'Unsent' folder.

Table view

The table view (on the right side of figure 29 on page 79) displays the file names of the files in the opened destination or temporary folder.

Each file has the following information:

- Name
- Size
- Type
- Modified
- Resolution
- Image size.

If the currently viewed destination is the one you are scanning to, then the scanned file will appear at the end of the table. If you currently view another destination than the one you are scanning to, then the scanned to destination is displayed bold.

It is possible that there are more files in the table than fit on screen. The most recent scanned file appear at the end of the table. Under these circumstances it is possible that your most recent scanned file is not visible in the table on screen. In this case you can update the table view.

▼ Update the table view

- 1 From the 'View' menu select 'Refresh' or click the 'Refresh' button on the toolbar (see Figure 30). If the opened destination is also the one which is currently scanned to, then the view is automatically updated.



[30] The 'Refresh' button on the toolbar

Actions in Océ Scan Manager

The Océ Scan Manager enables you to make settings for scan-to-file. You can edit and view the destination properties. You can also view the properties of scanned files.

Destinations

A destination is a location where you scan your file to. You can create, delete and lock destinations. You can also define automatic file naming to ensure your files get the desired names.

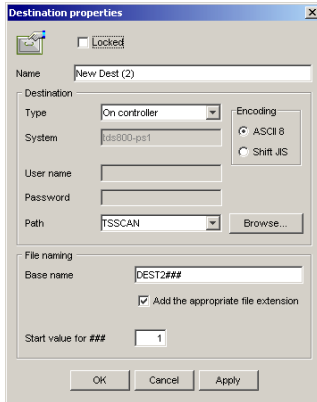
A destination can also be a file server or a PC of an end user. It is better to select remote destinations instead of the local ones. The local destinations are temporary and can only contain a limited number of scan files. Define the 'Scan memory reservation' in the Océ Settings Editor (see 'Find system settings in the Settings Editor' on page 139). See the on-line help on the Océ Settings Editor for more details.

▼ **Create a local destination**

- 1 Select 'Destinations' in the tree view.
- 2 Open the 'File' menu and select 'New' or click on the 'New' button on the toolbar (see Figure 31).



[31] 'New' button on the toolbar



[32] 'Destination properties' window

- 3 Enter a logical name for the destination in the 'Name' text box. This logical name also appears on the scanner panel (see Figure 24 on page 72).
- 4 Select the 'On the controller' type from the 'Type' drop-down list box.
- 5 Enter a path of the target folder in the 'Path' text box. You can also click the 'Browse' button to select the path.
Note: *This is only possible if you select 'On the controller' as 'Type' (see step 4).*
- 6 Click Ok to accept the destination properties.



Create a network destination with SMB

- 1 Create a shared folder on a workstation. For example c:\Scan
- 2 On the Océ Scan Manager Open the 'File' menu and select 'New' or click on the 'New' button on the toolbar (see Figure 31).
The Destination Properties dialog box appears (see Figure 32)
- 3 Select SMB from the 'Type' drop-down list box.
- 4 Enter the system name of the workstation where you created the shared folder.
Note: *Find the system name of the workstation on the control panel of the workstation (Control panel - Network - Identification - System name)*
- 5 Enter the path name. This is the name of the shared folder on your workstation. For Windows NT®, Windows® 2000 and XP, use the DOS name of the shared folder.
For Windows 95/98® use the folder name. This is case sensitive.
Note: *You can not Browse. Instead of entering the path name by hand, you can use the drop-down list box to select a shared folder available on the selected system.*

- 6 If you have set a username and a password for the shared folder on the workstation, then enter the username and the password in the required fields.
- 7 Set the required file naming properties
- 8 Click OK
Océ Scan Manager connects to the new SMB destination. Océ Scan Manager then shows the contents of the new SMB destination.

▼ **Create a web destination with FTP**

- 1 Create a home directory and a subdirectory on a workstation. For example
c:Ftp/Scan
- 2 Enable FTP on the workstation
- 3 On the Océ Scan Manager Open the 'File' menu and select 'New' or click on the 'New' button on the toolbar (see Figure 31).
The Destination Properties dialog box appears (see Figure 32)
- 4 Select FTP from the 'Type' drop-down list box.
- 5 Enter the system name of the workstation where you created the shared folder.
Find the system name of the workstation on the control panel of the workstation (Control panel - Network - Identification - System name)
- 6 Enter the path name. This is the name of the shared folder on your workstation.
For Windows NT®, Windows® 2000 and XP, use the DOS name of the shared folder.
For Windows 95/98® use the folder name. This is case sensitive.
Note: *You can not Browse.*
- 7 For access to the directory on the workstation through FTP, a user name and password is set on the FTP server that runs on the workstation. Enter this user name and this password in the required fields on the Destination Properties dialog box of the Océ Scan Manager.
- 8 Set the required file naming properties
- 9 Click OK
Océ Scan Manager connects to the new FTP destination. Océ Scan Manager then shows the contents of the new FTP destination.

Note: *You can create a maximum number of 10 destinations.*

Note: *Names in Japanese can only be entered for remote destinations in SMB.*

A key operator can determine whether a destination can be modified by an anonymous user. This done by locking and unlocking a destination.

▼ **Lock a destination**

- 1 Select a destination.
- 2 Open the 'File' menu and select 'Properties'.
- 3 Check the 'Locked' check box.

- 4 Click Ok to accept the destination settings.

The destination properties are now locked.

Note: *This option is only available if you are logged on as a Key operator (see 'User modes' on page 163).*

▼ **Unlock a destination**

- 1 Select a destination.
- 2 Open the 'File' menu and select 'Properties'.
- 3 Uncheck the 'Locked' check box.
- 4 Click OK to accept the destination settings.

The destination properties are now unlocked.

Note: *This option is only available if you are logged on as a Key operator (see 'User modes' on page 163).*

▼ **Delete a destination**

- 1 Select a destination.
- 2 Open the 'File' menu and select 'Delete' or click the 'Delete' button on the toolbar (see Figure 33).



[33] 'Delete' button on the toolbar

The selected destination is deleted.

Note: *This option is only available if you are logged on as a Key operator or as a Repro operator.*

Note: *You are not able to delete the last destination.*

▼ **Set / Change destination properties**

- 1 Select a destination.
- 2 Open the 'File' menu and select 'Properties' or click the 'Properties' button on the toolbar (see Figure 34).



[34] 'Properties' button on the toolbar

The 'Destination properties' screen appears as in figure 32 on page 83.

- 3 Change the destination properties as described in 'Create a local destination' on page 82.

Define file names

You can define the file names in the following two methods.

- 1 automatic file number definition for all originals in the scan-to-file job
- 2 manual file name definition per original in the scan-to-file job.

▼ Automatic file number definition

- 1 Select a destination.
- 2 Open the 'File' menu and select 'Properties'.
The 'Destination properties' screen appears (see Figure 32 on page 83).
- 3 Enter a name in the 'Base name' text box.
Do not change the '###' part, this part is used for automatic file name numbering. Océ Scan Logic replaces '###' by an ascending number. You can put dots in the 'Base name'.
- 4 Select or clear the check box 'Add correct file extension' to add or leave out the file extension. Set the file extension in the Océ Settings Editor.
- 5 Enter the start value for the automatic file naming in the 'Start value for ###' field.
- 6 Click 'OK' to accept the destination properties.
- 7 Scan the originals.

You can scan now with automatic file name numbering. Select the above destination on the scanner operator panel and set all scan-to-file properties. While you scan, the scanner operator panel displays the file name. The settings are active until a copy job interrupts the scan job.

▼ Manual file name definition

- 1 Select a destination.
- 2 Open the 'File' menu and select 'Properties'.
The 'Destination properties' screen appears (see Figure 32 on page 83).
- 3 Select or clear the check box 'Add correct file extension' to add or leave out the file extension. Set the file extension in the Océ Settings Editor.
- 4 Enter a name in the 'Base name' text box.
Remove the '###' part, this part is used for automatic file naming. You can put dots in the 'Base name'.
- 5 Click 'Apply' to accept the destination properties.
The 'Destination properties' screen stays open and is ready for the next scan-to-file action after the current original is scanned.
- 6 Scan the original.
- 7 Repeat step 4, 5 and 6 for each original.

Scanned files

The right pane of the Océ Scan Manager contains the scanned files and additional information about the files. You can view, print and delete these files. You can also view the file properties.

▼ **View a scanned file**

- 1 Select a file in the right pane.
- 2 Open the 'File' menu and select 'View' or click the 'View' button on the toolbar (see Figure 35).



[35] 'View' button on the toolbar

Océ View Station LT (see 'Océ View Station LT®' on page 92) starts up and displays the file.

When you enable 'Automatic view' on the Océ Scan Manager, Océ View Station LT starts up automatically after scan to file.

Note: *When you scan to file the controller Océ View Station LT starts automatically, showing the result of the scan.*

▼ **Print a scanned file**

- 1 Select a file in the right pane.
- 2 Open the 'File' menu and select 'Print' or click the 'Print' button on the toolbar (see Figure 36).



[36] 'Print' button on the toolbar

The selected file will be printed with the default settings as defined in the Océ Settings Editor.

▼ **Delete a scanned file**

- 1 Select a file in the right pane.
- 2 Open the 'File' menu and select 'Delete' or click the 'Delete' button on the toolbar (see Figure 37).



[37] 'Delete' button on the toolbar.

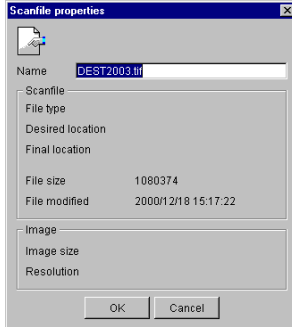
The selected file will be deleted.

- ▼ **View properties of a scanned file**
- 1 Select a file in the right pane.
 - 2 Open the 'File' menu and select 'Properties' or click the 'Properties' button on the toolbar (see Figure 38).



[38] 'Properties' button on the toolbar.

The following window appears (see “Scanfile properties’ window’ on page 89):



[39] ‘Scanfile properties’ window

- 3 Click Ok to close the ‘Scanfile properties’ window.

▼ **Automatically view a file after scanning**

You can choose to view a file automatically after scanning:

- 1 Open the ‘System’ menu and select ‘Auto view’.
When you scan-to-file, Océ View Station LT will start automatically and show the scanned file.

Manage the temporary store

When you regularly scan originals to a file, many files are created in the temporary store. You can clean up the temporary store manually or automatically.

To manually delete the files in the temporary store select the ‘Purge’ command from the ‘System’ menu.

To automatically delete the scanned files from the temporary store, you must configure disk cleanup in the Océ TDS800 Settings Editor to use this option. (see ‘Find system settings in the Settings Editor’ on page 139).

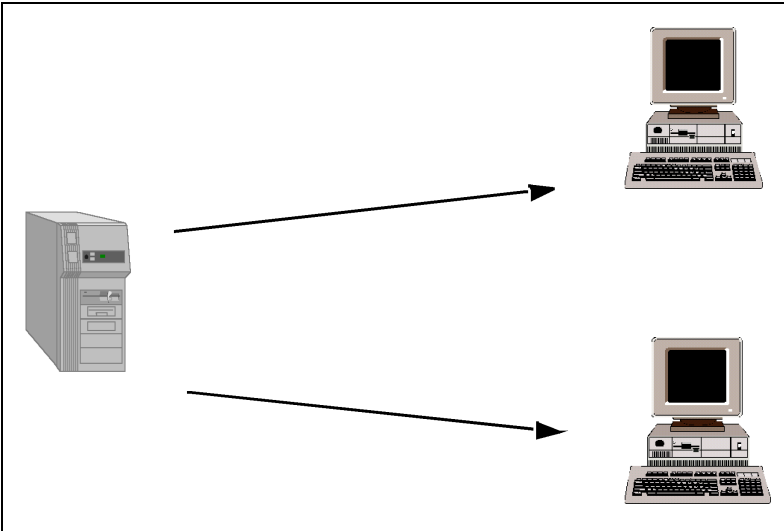
How to retrieve scanned files

When you scan-to-file your files will be stored in the destination you set. This can be on the local controller or on a remote system. You can retrieve your files

from the local controller via File Transfer Protocol (FTP) (see Figure 40). Also if during scanning to a remote destination, something goes wrong, you can retrieve your files from the local controller.

Files scanned to a local destination are stored in the directory of the controller. You can retrieve your files from the local host via File Transfer Protocol (FTP). FTP can be done:

- 1 via an internet browser
- 2 an FTP application, or
- 3 via a command line prompt.



[40] How to retrieve scan files

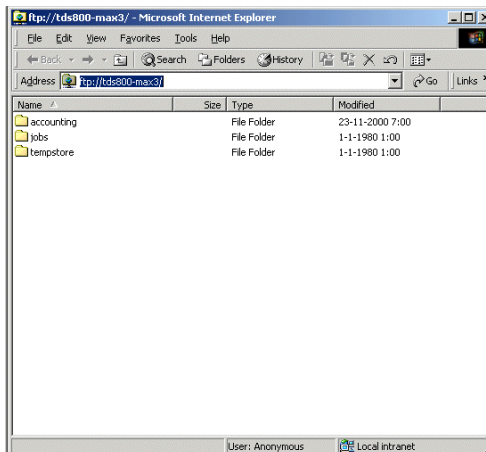
▼ **Retrieve files via an FTP command line prompt**

- 1 Launch an FTP client.
- 2 Enter the 'ftp' command.
A DOS box now appears with the FTP prompt.
- 3 Enter the 'Open' command followed by either the registered name of the Océ Power Logic® Controller or the IP address (for example: 194.2.66.146) to connect to the Controller and press Enter: 'open 194.2.66.146'.

Note: *Instead of performing steps 2 and 3 you could also enter "ftp host_name" in the FTP client.*

The connection with the Controller is now established and a window appears asking you for a user name.

- 4 Enter your user name 'anonymous', and enter as your password also 'anonymous'.
A connection is now set up for the default user 'anonymous'.
Note: *As there is no registered user, you can simply press Enter to initiate the connection.*
- 5 Set the transmission mode to binary by entering 'binary'.
- 6 Go to the 'tempstore' directory using the following command: 'cd tempstore\'.
- 7 Go to the 'scan' directory if you want to retrieve a file from a destination on the local host,
or
go to the 'unsent' directory if you want to retrieve a file from 'unsent' folder on the local host.
- 8 Get the data file (for example: bugatti.tif) via the 'get' command:
'get bugatti.tif'.
Quit FTP by entering the 'bye' command.



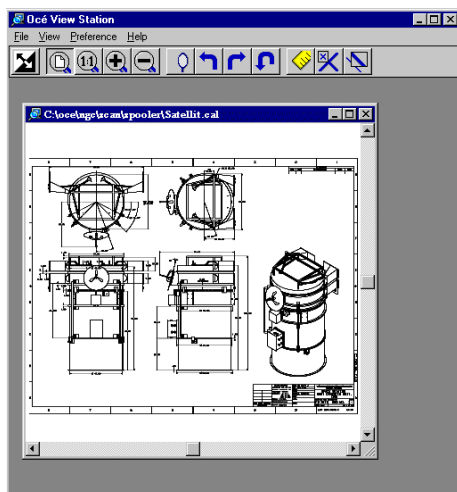
[41] The ftp directories on the Océ TDS800

Océ View Station LT®

With Océ View Station LT you can view your scanned files. This can be automatic (see 'Automatically view a file after scanning' on page 89) after scanning or via Océ Scan Manager (see 'Print a scanned file' on page 87).

Océ View Station LT has the following menu's (see Figure 42):

- File
- View
- Preference
- Help



[42] Océ View Station LT

Menu options

File menu	
Command	What does it do
Close	Closes the active document.
Properties	Provides information about the scanned document. Allows the operator to change certain properties of the document.

View menu	
Command	What does it do
Fit	Scales the image to fill the window.
1:1	Displays the image at a 1:1 scale factor.
Magnify	Zooms into the page.
Reduce	Zooms out of the page.
Refresh	Redraws all windows displaying the active document.
Invert	Reverses the black and white parts of the image.
Mirror	Mirrors the image.
Rotate 90 CCW	Rotates the image 90 degrees counter-clockwise.
Rotate 90 CW	Rotates the image 90 degrees clockwise.
Rotate 180	Rotates the image 180 degrees.
Sample	When active, displays only a sample of bilevel raster pixels.
Negate	Reverses the raster image pixels on display and changes which are dominant for scaling.
Scale to gray	When active, displays the active bilevel raster image as though it were a greyscale image.
Monochrome	An image or screen having only background and foreground colors. Same as black-and-white or bilevel.

Preference menu	
Command	What does it do
View ribbon	View Ribbon displays and removes the ribbon that contains buttons. The View Ribbon appears, by default, below the menu bar. It serves as a fast means of selecting some File, View, and Preference menu commands.
Status bar	Status Bar displays and removes the Status Bar at the bottom of the Océ View Station LT window. The Status Bar displays the pointer co-ordinates and a status line.

Preference menu (continued)	
Command	What does it do
Reference	Reference displays or removes a small, usually floating window. This window displays the entire current page in miniature. The crossed box inside the Reference window indicates which part of the page is displayed in the document window. By moving or resizing the crossed box, you change which area of the page is displayed.
Detail	Displays or removes the Detail window.
Measurement	When active, allows you to measure lines and areas on the image.

Help menu	
Command	What does it do
About	Shows information about Océ View Station LT.

Function buttons

Below the menu's there are function buttons in a ribbon. This ribbon can be turned on and off (see 'View ribbon' on page 93).



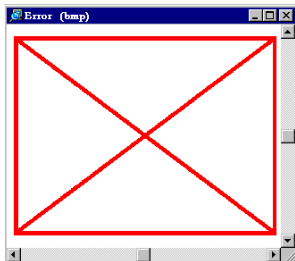
[43] Function buttons in Océ View Station LT

Figure 43 displays the buttons:

- 1 Invert: Reverses the black and white parts of the image.
- 2 Fit: Scales the image to fill the window.
- 3 1:1: Displays the image at a 1:1 scale factor.
- 4 Magnify: Zooms into the page.
- 5 Reduce: Zooms out of the page.
- 6 Mirror: Mirrors the image.
- 7 Rotate 90 CCW: Rotates the image 90 degrees counter-clockwise.
- 8 Rotate 90 CW: Rotates the image 90 degrees clockwise.
- 9 Rotate 180: Rotates the image 180 degrees.
- 10 Measurement: When active, allows you to measure lines and areas on the image.
- 11 Reference. This small floating window displays the entire current page in miniature for reference.
- 12 Displays or removes the Detail window.

View error

When the memory is almost full it can occur that the viewer does not show the scanned file. Instead it shows a red border with a red cross (see Figure 44).



[44] Error view in Océ View Station LT

Chapter 5

Special copy and scan jobs

This chapter contains a description of special jobs and describes how to improve the output quality.



Non-standard size originals

The scanner of the Océ TDS800 automatically detects the width of the inserted original. For DIN sizes, for example, it detects whether the width is A0, A1, A2, A3, A4, 500 mm, or 700 mm. The Océ TDS800 system uses a memory table that contains all standard width - standard length combinations to predict the length of the original. The scanner also measures the real length of each original while it is transferred through the scanner.

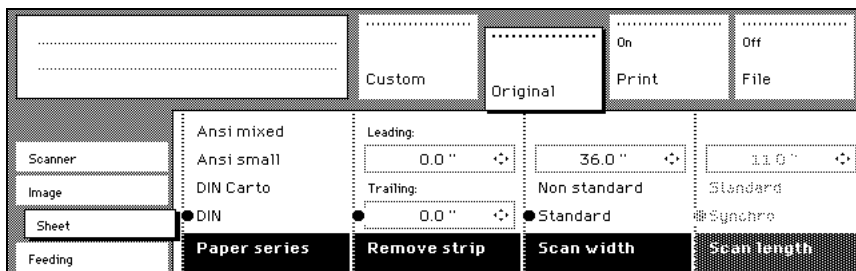
Note: *When you scan thick, thin or damaged originals or originals in a carrier sheet, it is recommended to use the output at the rear side of the scanner to ensure correct delivery (see 'Define settings for the next original' on page 61).*

The scan width

To prevent the loss of information when you scan a non-standard original, you can select the 'non-standard' scan width. The scanned width will then be larger than the original width. It is also possible to define the scanned width and length yourself.

▼ Define the scan width

- 1 Open the 'Sheet' card in the 'Original' section.
- 2 Press 'Scan width' to select the required setting:
 - Standard. This option must be used to scan a standard-size original.
 - Non-standard. This option can be used to scan a non-standard original. The scanned width will be larger than the original width (to the next larger, standard size), to prevent information loss.
 - Numeric. Define the scan width with the arrow keys or the numeric keys.



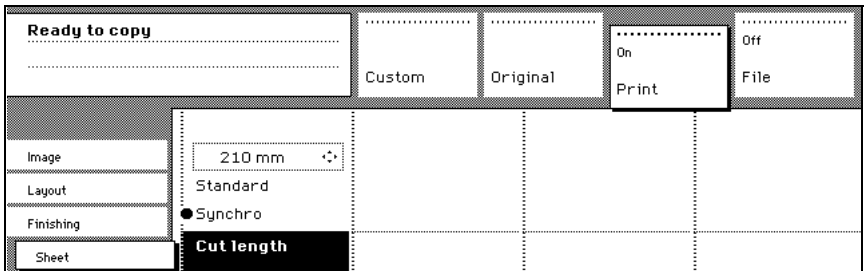
[45] Selecting 'Non-standard' scan size

The copy size

The copy width depends on the selected roll and the custom defined scan width. The copy length depends on the selected cut option.

▼ **Copy non-standard size originals**

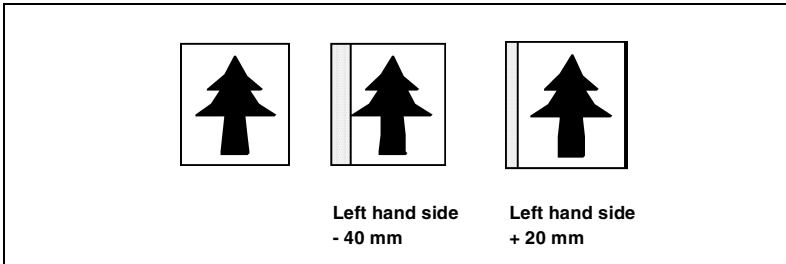
- 1 Select 'auto roll' on the printer operator panel.
The scanner scans wider than the original. No information is lost.
- 2 Open the 'Sheet' card in the 'Print' section on the scanner operator panel (see Figure 46).
- 3 Press the 'Cut length' function key to select the required cut option:
 - Standard, the print length corresponds to a standard format, depending on the media width. When you use 'Standard cut' information loss can occur.
 - Synchro, the system cuts at the measured length of the original times the zoom factor. The minimum length is 279 mm or 11 inch. When you use 'Synchro cut' information loss will not occur.
 - Custom (numeric), which cuts copies on a specified length. You can define the copy length yourself, using the arrow keys or the numeric keys.
- 4 Feed the original
- 5 Press 'Start'.



[46] Define the cut length

Scanning originals with filing strip

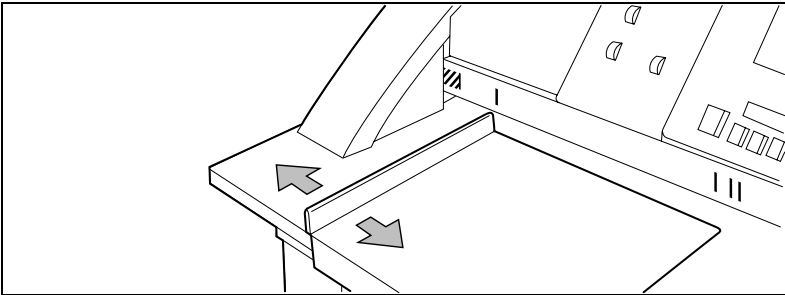
Left hand side You can adjust the original guide of the scanner to remove a filing strip along the left hand side (in the feed direction, face-up). This side can be reduced by up to 60 mm (see Figure 47).



[47] Example of adjusting the left hand side of an original

▼ Copying with removed filing strip along the left hand side

- 1 Press the handle underneath the original guide, and move it to the right.



[48] Adjusting the original guide to add or remove a filing strip along the left hand side

- 2 Make all required settings.
- 3 Insert the original face up, left aligned with the original guide on the original feed table.

Right hand side You can also remove the filing strip along the right hand side (in the feed direction, face-up) by selecting a specific roll. If the paper width of the original is larger than the paper width of the selected roll, the remaining part on the right hand side will not be scanned.

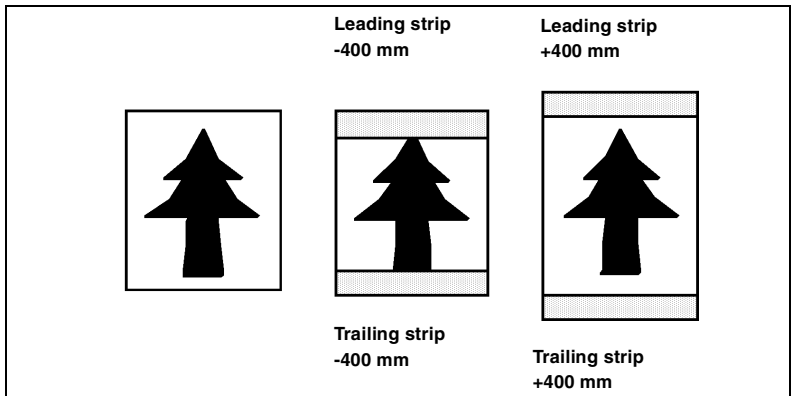


Copying with removed filing strip along the right hand side

- 1 Select one of the roll selection keys on the operator panel.
- 2 Select the 100% key.
- 3 Make sure the 'auto zoom', 'auto roll', and 'Scan width' are not selected.
- 4 Make other settings as required.

Feed the original.

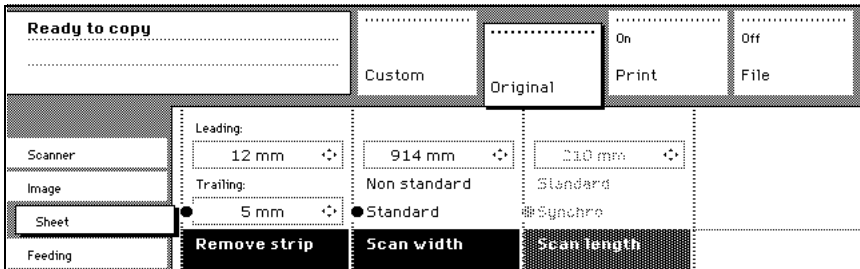
Leading and trailing strip It is possible to adjust the length of both the leading and trailing strip to eliminate or add a filing strip. Leading and trailing strips can be extended up to 400 mm or shortened up to 400 mm (see Figure 49).



[49] Example of adjusting the leading and trailing strip of an original

▼ **Copy with removed filing strips along the leading and trailing strip**

- 1 Open the 'Sheet' card in the 'Original' section.
- 2 Press the 'Remove strip' function key.

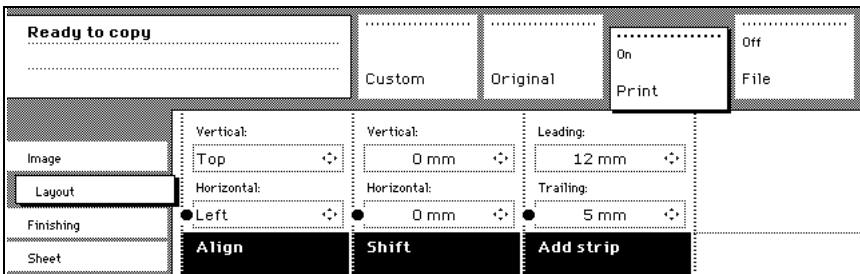


[50] Removing strip

- 3 Adjust the values for the trailing strip using the numeric or arrow keys.
- 4 Press the 'Remove strip' function key again.
- 5 Adjust the values for the leading strip using the numeric or arrow keys.
- 6 Make other settings as required.
- 7 Feed the original.

▼ **Copy with added filing strips along the leading and trailing strip**

- 1 Open the 'Layout' card in the 'Print' section.
- 2 Press the function key 'Add strip' function key.



[51] Adding strip

- 3 Adjust the values for the trailing strip using the Numeric or Arrow keys.
- 4 Press the function key 'Add strip' again.
- 5 Adjust the values for the leading strip using the Numeric or Arrow keys.
- 6 Make other settings as required.
- 7 Feed the original.

The image quality

Improve the image quality by modifying the exposure, or by making use of special functions like automatic background compensation or setting the type of image you want to copy.

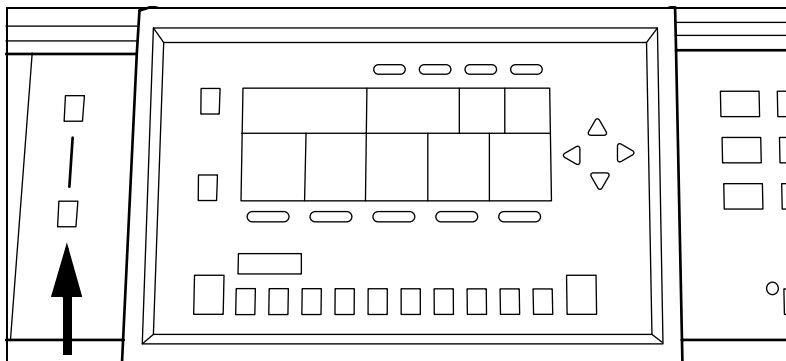
Brightness

You can change the brightness of a print or copy by modifying the exposure of the scanner. The exposure can be set to lighter and darker.



Set the exposure

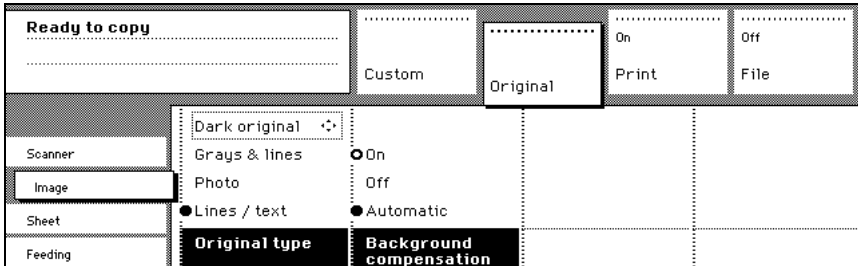
- 1 Press the Up and down keys next to the exposure indicator on the scanner operator panel to adjust the exposure.



[52] The exposure keys and the exposure indicator

Automatic background compensation

The automatic background compensation will provide a good quality output from a large variety of originals. The automatic background compensation setting ensures the production of background-free output of most line drawings.



[53] Image settings

- ▼ **Set the automatic background compensation**
- 1 Open the 'Image' card in the 'Original' section.
 - 2 Press the 'Background compensation' function key if this function is disabled.

When you scan extremely light or dark originals, or originals with uneven background density, the result may not meet your requirements (e.g. too much background). In such cases you can manually adjust the brightness (see Figure 52).

Original type The Océ TDS800 Scanner allows you to adjust the exposure setting according to the type of image on the original. There are five original types available. Select a suitable mode according to the original (see Figure 53 on page 104).



Set the original type of your image

- 1 Press the 'Original type' function key to select the appropriate image type:
 - Press the 'Original type' function key to select 'Lines / text'. Use 'Lines / text' for originals which contain characters and line art. By default 'Lines / text' is selected with 'Background compensation' enabled.
 - Press the 'Original type' function key to select 'Photo' for the enhanced photo mode for originals which contain photographic matter. Use 'Photo' for originals which contain picture images.
 - Press the 'Original type' function key to select 'Greys&lines' when the original contains many greyscales and lines. Use 'Greys&lines' for GIS originals and maps.

Note: *'Background compensation' is turned off for 'Photo' and 'Greys&lines'.*

 - Press the 'Original type' function key to select 'Printed matter'. Use 'Printed matter' for printed originals containing a raster, for example coming from offset printing. 'Printed matter' eliminates the Moiré effect.
 - Press the 'Original type' function key to select 'Blueprint' when you want to scan an original with an image in 'negative' (image in white on dark background). The output will be 'positive' (image in black on white background).
 - Press the 'Original type' function key to select 'Dark original' when the original has an extremely dark background (i.e. low contrast).
 - Press the 'Original type' function key to select 'Cut & paste' when the original contains paste edges.
- 2 Make other settings as required.
- 3 Feed the original.

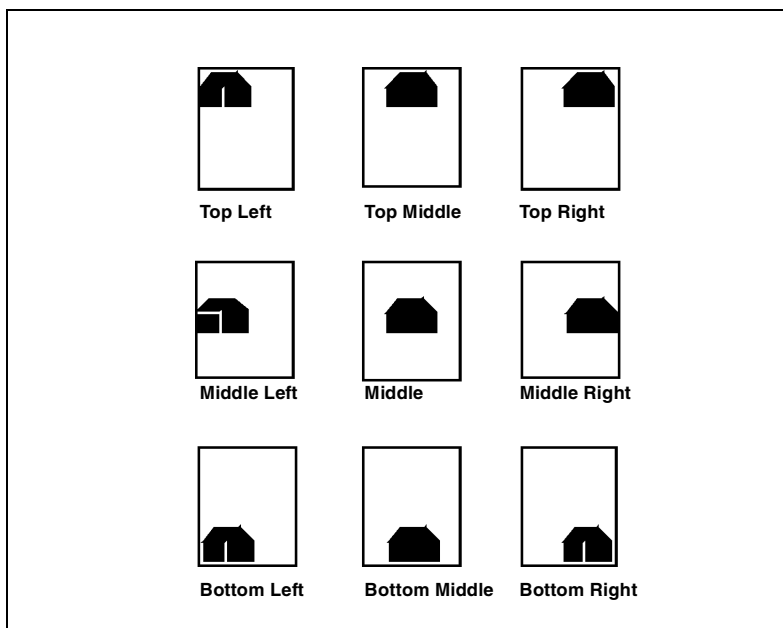
Editing functions

The Océ TDS800 Scanner has editing functions. You set the functions before you scan the original.

Note: *You can select only one edit function at a time.*

Auto align

To align the image automatically to a side of the print you can use the alignment functions of the Océ TDS800 scanner. Alignment is possible in the following ways (see Figure 54):



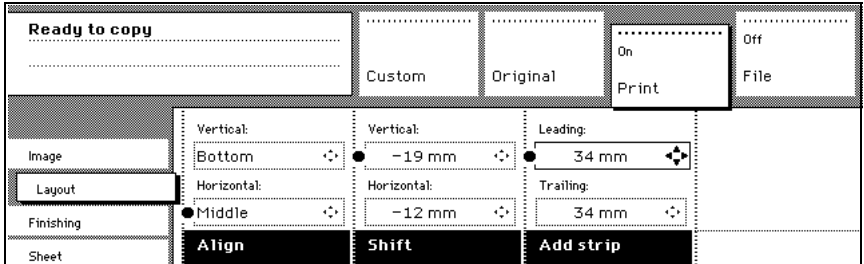
[54] Auto align options with standard cut option active



Select default settings for auto shifting with standard cut option

You must enable standard cut length to get output like the one in the example of illustration 54 above. With 'Standard cut' the print length corresponds to a standard format, depending on the media width. When you use 'Standard cut' information loss can occur.

- 1 Open the 'Layout' card in the 'Copy' section.



[55] Automatic shift with the 'Align' function

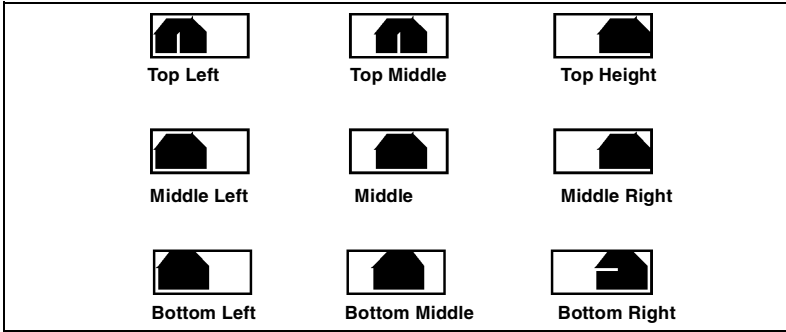
- 2 Press the 'Align' function key and select a horizontal alignment value (Left, Middle or Right) with the Arrow keys.
- 3 Press the 'Align' function key again and select a vertical alignment value (Top, Middle, or Bottom) with the Arrow keys.

Note: If you select 'Middle', make sure the original width is properly specified as described in the section about 'The scan width' on page 98:

- 'Standard' if a standard sized original is used
- The exact original width (numeric) if a non standard sized original is used.

- 4 Feed your original.

You must enable synchro cut length to get output like the one in the example of illustration 61. With 'Synchro cut' the system cuts at the measured length of the original times the zoom factor. The minimum length is 279 mm or 11 inch. When you use 'Synchro cut' information loss will not occur.

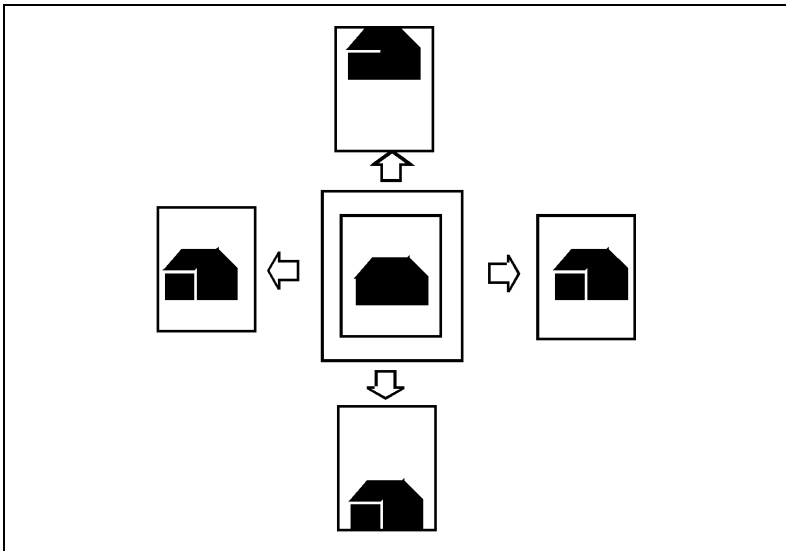


[56] Auto shift options with synchro cut option active

In ‘Shift the image’ on page 108 you can read how to define the exact place of your image on the page.

Shift the image

In some cases the margin may be too narrow to accommodate filing strips without loss of information. To avoid this, you can shift the image in horizontal or vertical direction, as shown below.

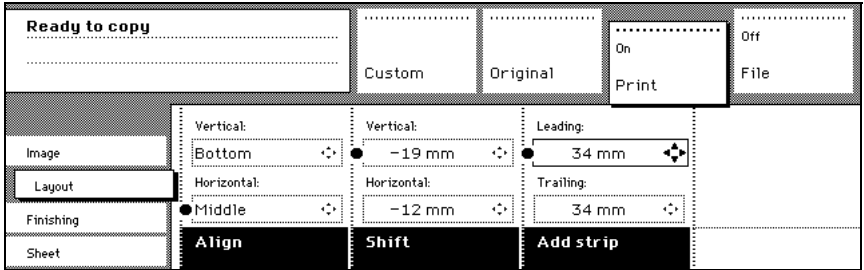


[57] Example of shifting the image



Shift the image

- 1 Open the 'Layout' card in the 'Copy' section.



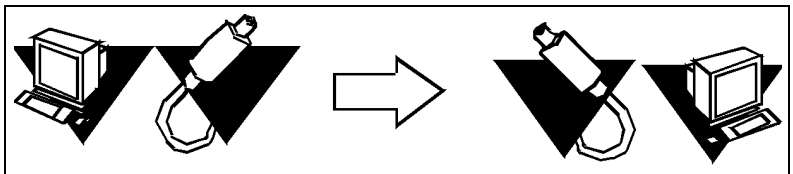
[58] Image shift

- 2 Press the 'Shift' function key and select a horizontal shift value by pressing the numeric or arrow keys until the required distance is set to shift the image to the left or to the right.
- 3 Press the 'Shift' function key again and select a vertical shift value by pressing the numeric or arrow keys until the required distance is set to shift the image upwards or downwards.
- 4 Make other settings as required.
- 5 Feed the original.

Note: You can use horizontal and vertical shift at the same time.

Mirror image

With the Océ TDS800 Scanner you can make a mirror image copy of an original, as shown in the next figure:

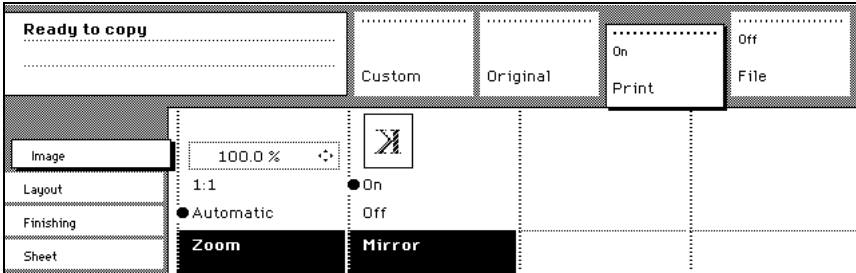


[59] Example of a mirror-image copy



Make mirror image copy

- 1 Open the 'Image' card in the 'Print' section.



[60] Mirror image

- 2 Press the 'Mirror' function key to enable the 'Mirror' function.
Make other settings as required and feed the original.

Make a set copy

Set copy is an input mode which enables you to make one job out of multiple originals. It is distinguished from the 'Multiple sheets' input mode by the way the job is sorted. See page 58 for a description of the input modes.

▼ **Make a set copy**

- 1 Open the 'Feeding' card in the 'Original' section.
- 2 Use the 'Input mode' function key to select 'Set'.
- 3 Make other settings as required and feed the original.
- 4 Press the green Start key to start the copy job.
Your original is fed into the scanner. The printer starts.
- 5 Feed the other originals that make up your set.
When 'Automatic feed' is enabled, you do not have to press the green Start key everytime you feed an original.
- 6 When all originals are scanned, press the green Start key to close the set.
- 7 When you want to abort your job, press the red Stop key. When you press the red stop key, the entire job is deleted.

Océ Matrix Logic[®] introduction

What is Océ Matrix Logic

Océ Matrix Logic[®] is an optional software application for Océ TDS800 multifunction systems. It allows users to easily create different copy set outputs from one set of scanned originals.

Matrix Logic copying of a set is based upon storing the entire set of scanned originals (up to 100 documents) on the Océ Power Logic controller. You can then apply from 2 to 30 different configurations to that set. The result is that the output from the one set of scanned originals can be printed out up to 30 different ways.

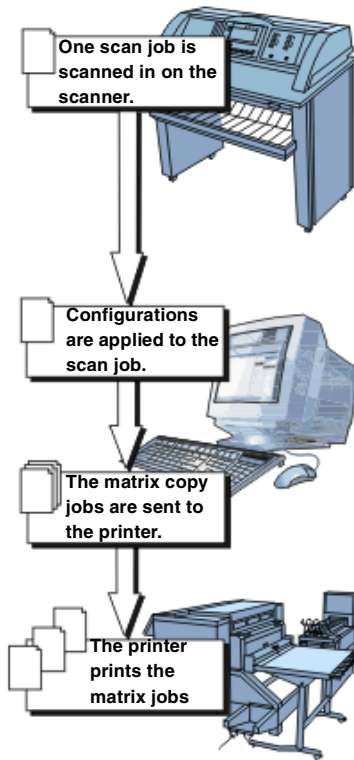
Enable matrix copying with a password in the Océ Settings Editor (see 'Find system settings in the Settings Editor' on page 139).

Workflow

Here are the steps to follow to compose and print a matrix job.

Note: *Some steps are mandatory whereas others are only optional as mentioned below.*

- Launch Océ Matrix Logic
- Scan a Matrix Job
- Create a configuration (optional)
- Define settings for the configuration (optional)
- Save the configuration (optional)
- Modify existing configurations (optional)
- Compose an Océ Matrix Logic Job
- Add configurations
- Add banners
- Print
- Reprint



[61] Workflow of Océ Matrix Logic®

Access Océ Matrix Logic®

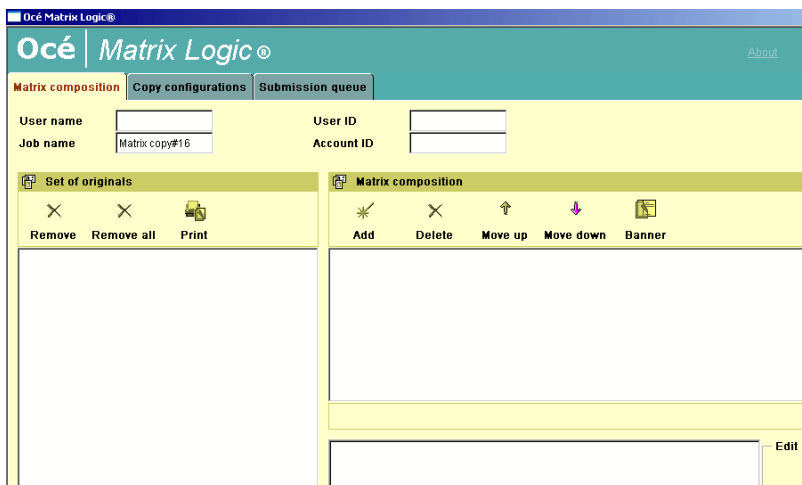
Océ Matrix Logic can be accessed from the 'Launcher' window on the Océ Power Logic Controller graphical user interface:



Note: *Océ Matrix Logic® can not be accessed via Océ Remote Logic.*

Use Océ Matrix Logic®

Matrix composition



From this tab, you can:

- set 'Job Level' parameters (User name, User ID, Job name, Account ID)
- view a list of the originals (up to 100 originals per job)
- remove originals from the job
- add, delete and manage pre-defined Copy configurations to apply to the Matrix job.
- change settings to applied Copy configurations
- select banners
- initiate the Matrix job printing

Create a Matrix Job

▼ Launch Océ Matrix Copy

- 1 Using the 'Launcher' on the Power Logic controller graphical user interface, select Océ Matrix Logic.

- 2 Click on the 'Matrix composition' tab where the set of scanned originals is displayed.

▼ **Prepare the Matrix job**

- 1 Fill in the 'User name' and 'Job name' fields ('User ID' and 'Account ID' are optional).

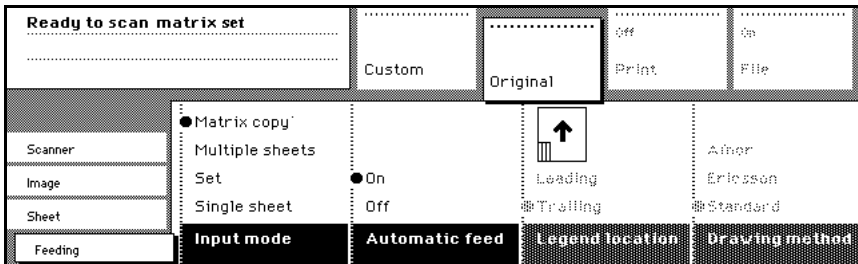
Note: *If your Océ TDS800 system has Océ Account Logging activated, then the 'User ID' and 'Account ID' will be stored by Océ Account Logging.*

- 2 Every original in the set that you scanned is assigned a name by Océ Matrix Logic®.
 - To remove a specific original from the matrix job, highlight that original by clicking on its name, and then click 'Remove'.
 - To remove all the originals from the matrix job, click 'Remove all'.

▼ **Scan your Matrix Job originals**

- 1 Open the 'Original' section on the scanner-operating panel.
- 2 Select 'Feeding' card.
- 3 Once the feeding card is open, use the 'Input mode' button to select 'Matrix copy'.

Note: *After you select Matrix copy, the 'File' and 'Print' sections as well as the 'Legend location' and 'Drawing method' cards on the scanner panel are disabled):*



[62] Input mode with Matrix copy selected

- 4 Scan your entire set of originals (up to 100 originals), and remember to press the green start button to close the set when you are done.

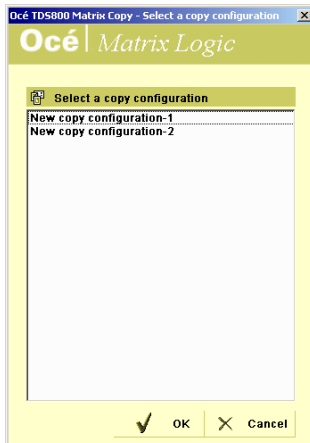
Add configurations

You can add predefined copy configurations to your Matrix Job. These configurations are created in the 'Copy configurations' tab (see 'Copy configurations' on page 119).

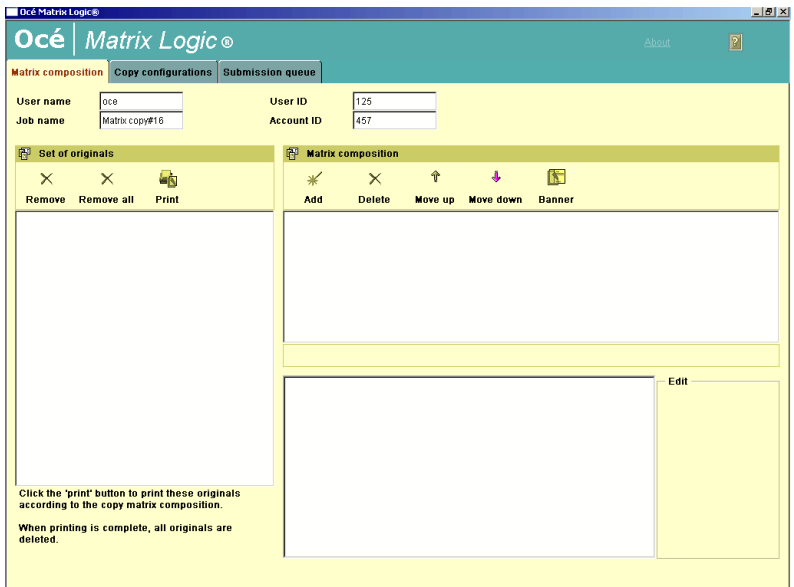


Add configurations to your Matrix Job

- 1 Click 'Add' in the 'Matrix composition' window. The 'Select a copy configuration' window appears:



- 2 Select one or several configurations to apply to the job (up to 50).
- 3 Click 'OK':



The 'Matrix composition' window now contains the configurations selected for the matrix job. The user may want to make changes to any particular configuration selected for this job. This can be done in the edit window.

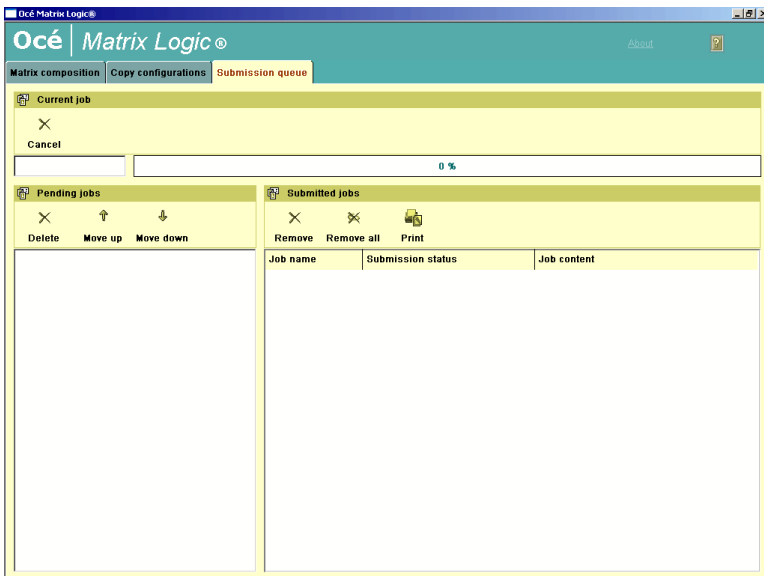
▼ **Modify configurations from the Matrix Composition window**

- 1 From the Matrix Composition section, highlight the configuration to modify. The settings are displayed.
- 2 Click the setting to modify. The value of the setting is displayed in the 'Edit' field.
- 3 Change the value.
- 4 Repeat steps 2 and 3 for every setting to modify.
Note: *When editing a configuration, the change is not permanent. The original settings for that configuration are not changed. They are only changed for the Matrix job being printed at that time.*
- 5 Print the Matrix Job (see 'Print the Matrix job' on page 118).

Print the Matrix job

▼ **Print the Matrix job**

- 1 Click 'Print'.
- 2 Click the 'Submission queue' tab to follow the submission status:



- Current job: displays the progress bar of the job being processed.
- Pending jobs queue: displays the list of jobs that are pending to be submitted (busy printer).

- Submitted jobs queue: displays the list of jobs that have been submitted to the printer.
- 3 Click 'Remove' or 'Remove all' or 'Delete' if you want to remove one or several matrix jobs while they are pending or submitted.
- 4 Click 'Move up' or 'Move down' in the Pending Jobs queue if you want to change the print order.

Reprint

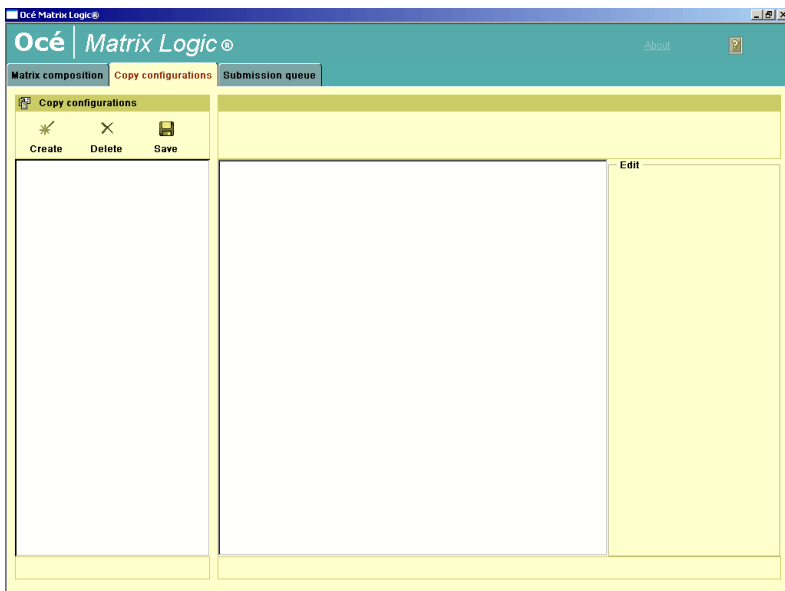


Reprint the Matrix job

- 1 From the Submitted jobs queue, select the Matrix job.
- 2 Click 'Print'.

Copy configurations

Copy configurations are pre-programmed copy settings. These settings are applied to the originals in the matrix job. Users can create and save up to 50 different configurations:



The left side of the Copy configurations tab has the configuration list. This shows all currently saved configurations. Users can create and save up to 50 different configurations. Configurations may be edited when applied to a particular matrix job.

The right side of the screen shows the settings list. These are the available settings that can be stored in a configuration. Using the settings list is similar to using the Settings Editor of the Power Logic controller.

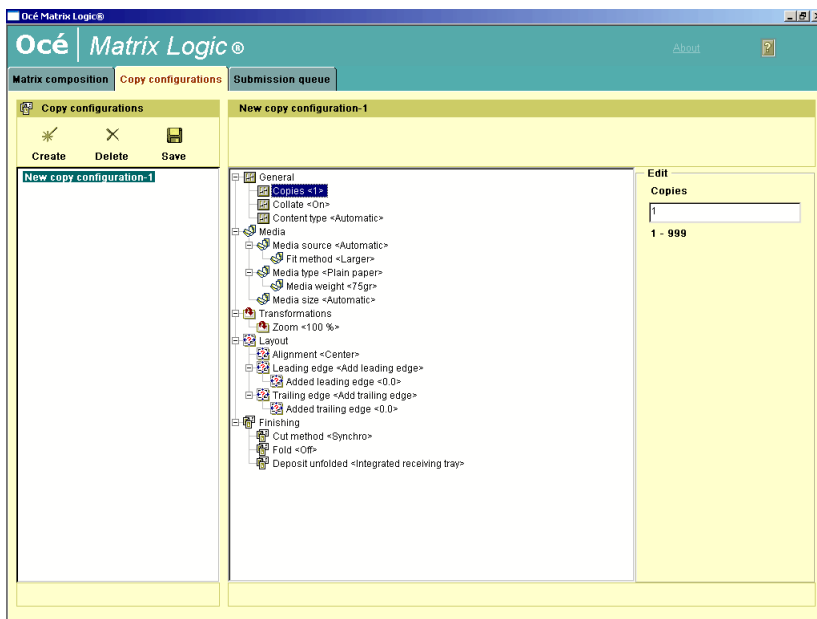
From this tab, you can manage the configurations:

- create or delete a configuration
- define or modify settings.
- save the changes

Edit configurations

▼ Create a new configuration

- 1 Click 'Create'. A default name is added in the configurations list:



- 2 Rename the configuration.
- 3 Type 'Enter' to validate.
- 4 Define the settings to apply to the configuration (see 'Edit settings' on page 122).
- 5 Click 'Save'. Successful saving is confirmed with a message.

Note: If you exit the tab without saving the changes in the configuration, a message asks you whether you want to save, discard or cancel the configuration.

- ▼ **Edit settings**
 - 1 Select a configuration in the list.
 - 2 Select the setting to define or modify. The setting is displayed in the Editing zone.
 - 3 Select the value to apply to the setting from the scrolling list.
 - 4 Repeat steps 2 & 3 with all the settings to edit.
 - 5 Click 'Save'.

- ▼ **Delete a configuration**
 - 1 Select a configuration in the list.
 - 2 Click 'Remove'.
 - 3 Save.

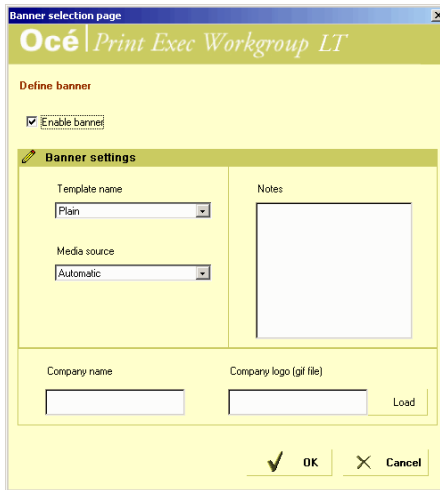
- ▼ **Save changes**
 - 1 Whatever the changes you apply to configurations (Delete, create, edit settings), you need to save the changes.
 - 2 Click 'Save' to confirm the changes.

Banners

Banners are extra informative pages added to a job. They list a number of attributes that are set in the Banner Selection Page (company name, logo).

▼ **Define a banner**

- 1 From the Matrix Composition view, click 'Banners'. The Banner selection page is displayed:



- 2 Check the 'Enable banner' option.
- 3 Define the banner settings:
 - **Template name:** Select a banner template.
 - **Media source:** select Automatic or Roll or Tray
 - Note:** *When you select roll or tray, an extra field is displayed to select the roll or tray number.*
 - **Notes:** You can insert notes to your banner in this window. Notes are persistent from one job to another.
 - Enter a company name
 - **Company logo:** click the 'Load' button to load your company logo.
- 4 Click 'OK' to apply the defined banner to the job.

Chapter 6

Océ Power Logic®: Settings Editor

This chapter gives information about the Océ Settings Editor. For details about specific settings refer to the Help on the Océ Settings Editor.



Introduction

Use the Océ Settings Editor to set the default settings of the Océ TDS800 according to your companies requirements. 2 types of users can determine settings in the Océ Settings Editor, Key Operators and System Administrators. You can log on as either Key Operator or System Administrator. Key Operators and System Administrators have different rights to determine settings.

Overview of the Océ Settings Editor

The Océ Settings Editor is one of the controller applications for the Océ TDS800. The Océ Settings Editor allows users and operators to view settings of the system. If authorised, the settings of the system can be modified on the Océ Settings Editor.

With the Océ Settings Editor two groups of settings can be configured:

- **Key Operator settings (KO settings)**

The Key Operator settings allow authorised users to configure default settings for the copy jobs, the scan-to-file jobs and the print jobs, default off-line fold settings and scan to file options. With the Key Operator settings also the printer, system and scanner defaults can be set or modified. A subset of the Key Operator settings are the Repro Operator settings. The Repro Operator has no rights to change settings in the Océ Settings Editor. In the Océ Queue Manager and the Océ System Control Panel the repro operator has the same user rights as the Key Operator and System Administrator. See 'User modes' on page 163.

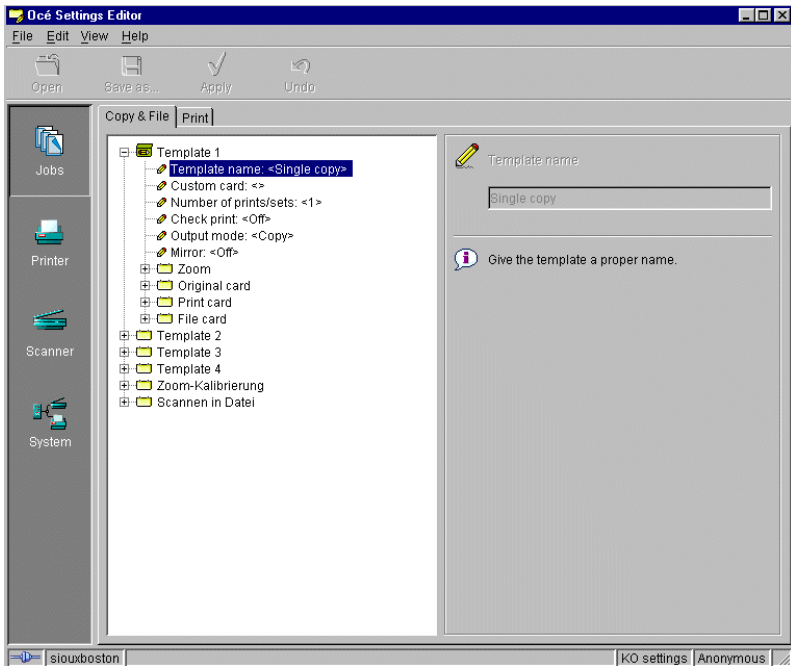
- **System Administrator settings (SA settings)**

The System Administrator settings allow authorised users to configure default printer language (PDL) settings and printer pen settings. It also allows the System Administrator to configure system and connectivity settings.

Note: *Toggle between the display of Key Operator settings and System Administrator settings in the 'View' menu of the Océ Settings Editor.*

Setting dependencies The Océ Settings Editor is used to display and edit a specified group of settings. Some settings are related to other settings. If you want to change settings which have dependencies with other settings you will be prompted with a message. When a setting is changed, the system automatically updates the related settings.

When you change certain settings, like measurement unit or paper series, all related settings are converted to the new setting (with a bullet for the settings that are changed).



[63] Océ Settings Editor

General structure

The Océ Settings Editor is structured as follows:

- Menu bar
- Top toolbar
- Left toolbar
- Settings area
- Status bar

Menu bar

The menu bar of the Océ Settings Editor contains the following menus:

File If you select the 'File' menu you can log on as a particular type of user, log off from the previously selected user mode, open an existing setting file, save the current settings to a file, connect to a different controller (only for remote users) or exit the Océ Settings Editor.

Edit If you select 'Options' from the 'Edit' menu, a window is displayed in which you can view your default system and the display languages (first and second) for the Océ Settings Editor application. The 'Automatic logon' option allows you to start the Océ Settings Editor application automatically in the specified user mode.

View The 'View' menu allows you to switch between the display languages as defined in the Edit options window and to toggle between KO settings and SA settings.

Help The 'Help' menu contains the following options: 'Contents of Settings Editor' and 'About Settings Editor'.



[64] Menu bar

Top toolbar

The top toolbar of the Océ Settings Editor contains four control buttons: 'Open', 'Save as', 'Apply' and 'Undo'.



[65] Top toolbar

Open When you click on the 'Open' button, you open a saved file.

Save as All Key Operator and System Administrator settings can be saved in a file. This way you can have different settings for different customers, departments or other situations.

Note: *These settings can only be saved in Key Operator or System Administrator mode.*

Apply When you click on the ‘Apply’ button, the changes you have made become effective. Initially, this button is disabled. It is enabled after the first setting is changed and disabled again after the apply action is performed or after an undo action.

Undo This button restores the settings to the state it was in the last time the settings were applied (and not back to the factory default). Initially, the ‘Undo’ button is disabled. This button is enabled the moment the first setting is changed. It is disabled after an apply action is performed or after an undo action

Left toolbar

There are four different buttons available at the left toolbar of the Océ Settings Editor. These are ‘Jobs’, ‘Printer’, ‘Scanner’ and ‘System’. Each button provides access to a specific group of settings. By clicking on each of these buttons, you can get access to the settings related to the selected group.

A shadow highlight is used to indicate which button is activated.



[66] Left toolbar

Settings area

The settings area consists of two parts: a setting tree and an update area.

Tree structure Most settings are displayed using a tree structure. By clicking on the settings, folders can be opened to show all the entries or closed to hide all the entries below these folders.

The settings for system components that are not available are not displayed. So, if you do not have a folder, no folder settings are available. This means that different configurations result in different tree structures.

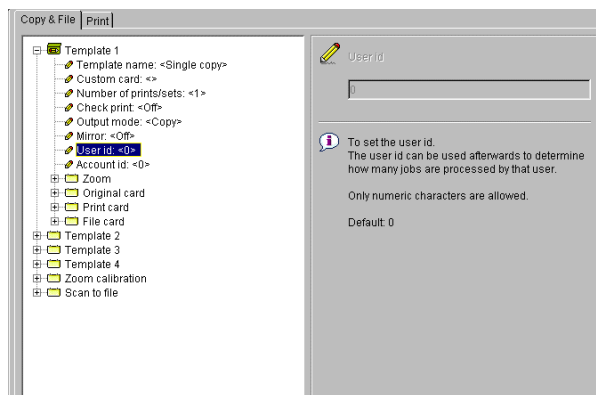
Note: *When a tree item has been changed, this item will be marked with a bullet.*

Update area Select a setting in the tree structure. Edit the setting in the update area.

Note: *If the user is not authorised for a particular setting, the update area is grayed out and no changes can be made.*

Note that a few settings, such as basic card and pen settings, are not edited from the tree structure, but are accessed directly from the settings area.

The update area contains some additional information about the selected setting. This includes a brief description of the setting, as well as the minimum, maximum and default values (if applicable).



[67] Settings area

Status bar

The Océ Settings Editor has a status bar displaying the following information (left to right):

- System status (icon for connected or disconnected)

The following icons are used:



The Océ Settings Editor is connected to a system.



The Océ Settings Editor is not connected to a system.

- System name ('localhost' if you are working at the controller)
- User mode (Repro operator, Key Operator, System Administrator or anonymous)
- View mode (KO settings or SA settings).

Use the Océ Settings Editor

Key Operator settings

The Key Operator is responsible for correct default settings of the system. These settings include the default settings, and groups of default printer settings for the print jobs, the scan-to-file jobs and the copy jobs.

The Key Operator can define all timer settings, like the panel time out and the sleep mode time out.

Note: *Only one Key Operator or System Administrator can log on to the Océ Settings Editor at a time.*

In order to perform special Key Operator functions, you must log on to the Océ Settings Editor as a Key Operator.

As these functions are restricted to a dedicated Key Operator, a password is required to access them. The service engineer will provide this password to you upon installation.

Note: *When you are finished, make certain you log off from the Key Operator mode of the Océ Settings Editor to prevent unauthorized use of the Océ TDS800.*

▼ **Make Key Operator settings in the Océ Settings Editor**

- 1 Maximise the Océ Settings Editor on the screen.
- 2 log on as Key Operator.
- 3 Click on one of the top buttons to display the desired group of settings.
- 4 Select the setting you want to update in the tree structure.
- 5 Update the setting in the update area, as required.

Note: *A few settings, such as the defaults for the Custom card, are made directly from the tree structure area.*

- 6 Click on the 'Apply' button.

The new value is now applied for the setting

Log off from log off the Key Operator mode when you have finished updating the settings.

System Administrator settings

The Océ TDS800 System Administrator is responsible for:

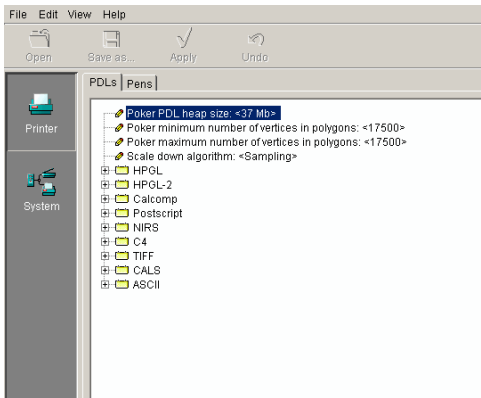
- Dithering matrix and Poker settings
- Printer language controller settings
- Pen settings
- Automatic Language Selection (ALS) settings
- Controller identification settings
- Set memory reservation settings
- Connectivity settings.

Note: *Poker stands for Portable Kernel. Poker performs automatic interpretation of the host language in which the data from the scanner or in the job ticket is encoded. Poker makes sure that the quality between the input from the printer driver or scanner and the output from the printer is consistent. Poker supports data compression for scan-to-file and changes raw data from the scanner into high level file formats.*

To modify the System Administrator settings you have to access the SA settings in the Océ Settings Editor.

There are two categories of System Administrator settings (see Figure 68):

- Printer
- System



[68] System Administrator settings in the Settings editor

In order to perform special System Administrator functions, you must log onto the Océ Settings Editor as a System Administrator (see ‘User modes’ on page 163).

Note: *When you are finished, make certain you log off from the System Administrator mode of the Océ Settings Editor to prevent unauthorized use of the Océ TDS800.*

▼ **Make System Administrator settings in the Océ Settings Editor**

- 1 Maximise the Océ Settings Editor on the screen.
- 2 log on as System Administrator.
See ‘User modes’ on page 163 for more information about logging into the Settings Editor.
- 3 Click on one of the top buttons to display the desired group of settings.
- 4 Select the setting you want to update in the tree structure.
- 5 Update the setting in the update area, as required.
Note: *A few settings, such as the default pen settings, are made directly from the tree structure area.*
- 6 Click on the ‘Apply’ button.
The new value is now applied for the setting
- 7 log off from the System Administrator mode when you are finished updating settings.

Access the Océ Settings Editor

In order to perform special Key Operator functions, you must log on to the Océ Settings Editor as a Key Operator.

As these functions are restricted to a dedicated Key Operator, a password is required to access them. The service engineer will provide this password to you upon installation.

Note: *Only one user at a time is allowed to log on as a user authorised to modify setting (Key Operator, System Administrator, Service Engineer). When a second user tries to log on, an error message is displayed. Multiple users at a time are allowed to view settings.*

Start the Océ Settings Editor

You can run the Océ controller applications on the controller as well as on a remote workstation

Note: *Océ Scan Manager only runs local on the controller.*

▼ Start Océ Settings Editor on the Océ Power Logic® Controller

- 1 Select the 'Launcher' application.
- 2 Select Settings Editor. Océ Settings Editor starts.

▼ Start Océ Settings Editor on a remote workstation

Note: *You must first install Océ Remote Logic® as described (see 'Installation procedure for Microsoft® Windows systems' on page 157).*

- 1 Select 'Océ Remote Logic' via the 'Start' menu.
- 2 Select the 'Launcher' application.
- 3 Select Settings Editor. Océ Settings Editor starts.

Define the contents of the custom card

Use the custom card to provide direct access to the frequently used settings.

▼ How to open the custom card editor

- 1 Click the 'Jobs' button in the left toolbar.
- 2 Click the 'Copy & File' tab in the settings area.
- 3 Select 'Custom card' in the tree structure.
- 4 Click the 'Edit' button in the update area.

The 'Custom card editor' displays.

▼ How to add settings

- 1 Open the 'Custom card editor'.
- 2 Select the settings group in the 'Setting groups' list.
- 3 Click the right arrow button to move the selected setting group to the 'Custom card' list. The maximum number of setting groups that can be added to the 'Customer card' list is five.
- 4 Select the settings group in the 'Custom card' list.
- 5 Click the up or down arrow buttons to change the order of the setting groups in the 'Custom card' list.

- 6 Click the 'Close' button.
- 7 Click the 'Apply' button.

The 'Custom card' settings are now available in the custom section at the scanner operator panel (see 'Custom section' on page 49).

▼ **How to remove settings**

- 1 Open the 'Custom card editor'.
- 2 Select the setting group in the 'Custom card' list.
- 3 Click the left arrow button to remove the selected setting group from the 'Custom card' list.
- 4 Click the 'Close' button.
- 5 Click the 'Apply' button.

The 'Custom card' settings are now removed from the custom section at the scanner operator panel (see 'Custom section' on page 49).

Define the job templates

Use the job templates to define frequently used jobs.

▼ **How to define the template name and description**

- 1 Click the 'Jobs' button in the left toolbar.
- 2 Click the 'Copy & File' tab in the settings area.
- 3 Open a template in the tree structure.
- 4 Select 'Template description' in the tree structure.
- 5 Click in the text field under 'Template name' in the update area.
- 6 Enter the template name.
- 7 Click in the text field under 'Template description' in the update area.
- 8 Enter the template description.
- 9 Click the 'Apply' button.

The template name and description now displays on the scanner operator panel (see 'Job templates' on page 52).

▼ **How to define settings in the job templates**

- 1 Click the 'Jobs' button in the left toolbar.
- 2 Click the 'Copy & File' tab in the settings area.
- 3 Open a template in the tree structure.
- 4 Open the 'Zoom' menu in the tree area to access the zoom settings

- 5 Open a card in the tree structure.
Open the 'Original card' to access the settings for the scanner input, the original.
Open the 'Print card' to access the settings for the printer output, the print.
Open the 'File card' to access the settings for the scan-to-file output, the file.
- 6 Open a submenu.
- 7 Select a setting in the tree area.
- 8 Change the setting in the update area.
- 9 Click the 'Apply' button.

The settings of the job templates are now available at the scanner operator panel.

The 'Original card' settings are available at the original section (see 'Original section' on page 50).

The 'Print card' settings are available at the print section (see 'Print section' on page 51).

The 'File card' settings are available at the file section (see 'File section' on page 51).

Manage different system adjustments with save and load

Use the save and load button to manage the different system adjustments for the customers, departments or other situations. Save stores all settings, the custom card and job templates included.

The Océ TDS800 has the following special files for your use.

- Backup.kos/Backup.sas
These files contain the previous values for the key operator settings and the system administrator settings before the last apply.
- Current.kos/Current.sas
These files contain the values for the key operator settings and the system administrator settings after the last apply.

▼ How to save all settings to a file

- 1 From the 'File menu', select 'Save as'.
You can also click the 'Save as' button on the top toolbar.
If the client is a local client, the screen displays a dialog box. You can enter a file name. The file is saved in the specified directory on the system.
If the client is a remote client, the screen displays a dialog box. You can enter a directory name and a file name.

- 2 Enter the filename without .kos or .sas.
- 3 Click the 'Save' button.

Note: *all settings, key operator and system administrator included, are saved.*

▼ **How to load KO or SA settings from a file**

- 1 From the 'File' menu, select 'Open'.
You can also click the 'Open' button on the top toolbar.
The screen displays a dialog box from where you can browse to the required file.
- 2 Click the 'Apply' button.
The settings are loaded to the system.
When you are logged on as a key operator, the system only loads the KO settings.
When you are logged on as a system administrator, the system only loads the SA settings.
Repro operators and anonymous users are not authorised to load the settings from a file.
Note: *this is only possible if the user is logged in as a Key Operator or System Administrator.*

Find system settings in the Settings Editor

The following table displays all references in this manual that refer to a Settings Editor setting. KO indicate that you must have Key Operator permission to change the setting. SA indicates that you must have System Administrator permission to change the setting. Open the 'File' menu and select 'Logon' to logon as Key Operator or as System Administrator (see Figure 64 on page 129).

System setting	Reference on	Path in Settings Editor
Low power mode timer	page 25	KO - System - Timers - Sleep mode timer enable - Low power mode time-out
Sleep mode timer	page 25	KO - System - Timers - Sleep mode timer KO - System - Timers - Sleep mode timer enable
Shut off timer	page 25	KO - System - Timers - Shut-off time out
Wake up timer	page 25	KO - System - Wake up

System setting	Reference on	Path in Settings Editor
Panel language	page 32 page 52 page 166	KO - System - Localisation - Display languages
Custom card settings	page 49 page 136	KO - Jobs - Copy & File - Custom card KO - Jobs - Copy & File - Template - Custom card
Job template settings	page 52 page 137	KO - Jobs - Copy & File
Panel time out	page 54	KO - Scanner - Timers - Panel time-out
Zoom factor steps	page 60	KO - Scanner - Zoom steps
Stamping	page 65	KO - Jobs - Stamp
Passwords	page 40 page 70 page 112	KO - System - Enabling passwords
Scan clicks	page 71	KO - System - Localisation - Measurement unit
Scan memory reservation	page 82	SA - Scan memory reservation
Manage temporary store	page 89	KO - System - Disk cleanup - Scan spool cleanup
Set memory threshold	page 143	SA - Set memory reservation
Set copy priority	page 149 page 151	KO - Job priorities - Copy priorities
History queue job settings	page 149	KO - System - Job management - History queue
Folder drawing method	page 179	KO - Jobs - Print - Defaults - Finishing - Drawing method
A4 Reinforcement	page 184	KO - Printer - Folder reinforce A4

Chapter 7

Océ Power Logic®: System Control Panel

This chapter describes how to view the status of the Océ TDS800 system on the Océ System Control Panel.



Introduction

The Océ System Control Panel (SCP) application provides you with status information about the system. This includes:

- Machine status of the printer
- Overview of the loaded media types and sizes
- Machine status of the scanner
- Status of the system
- Memory usage.

Note: *If you do not have a scanner, the scanner status is not available. If you have a scanner only, the machine status of the printer and the overview of the loaded media is not available.*

Structure

The Océ System Control Panel window is divided into the following parts (see Figure 69 on page 144):

The menu bar which contains the following menu's:

- File - Logon, Logoff, Connect to and Exit.
- Edit

If you select this option a window is displayed in which you can view your default system for the Océ System Control Panel application. The *Automatic logon* option allows you to start the application automatically in the specified user mode.

- View

The View menu allows you to switch between the display languages as defined in the Edit options window and to enable or disable Océ System Control Panel sub windows.

- System

The System menu allows you to dump your configuration settings, make a demo print, clear the system and shut down the system.

Help options: *Contents of Océ System Control Panel, About Océ System Control Panel.*

- Toolbar

The toolbar of the Océ System Control Panel contains the following buttons:

Printer: to hide or to show the status of the printer.

Media: to hide or to show media information.

Scanner: to hide or to show the status of the scanner.

Controller: to hide or to show the status of the controller.

Memory: to hide or to show the amount of set memory that is used.

Note: *If operator invention is required for a device, the respective button flashes.*

The Printer status display Displays the current status of the Printer. Any error messages displayed on the printer control panel also appear in the printer status window of the Océ System Control Panel.

The Media display Provides graphical information about the status of the rolls and sheetfeeders (available, empty or disabled) of the printer and about the available media (size and type).

Note: *If the Media type is polyester, the thickness is displayed in mil (0.001"), otherwise the weight is displayed in g/m2.*

When a roll or tray is disabled the roll or tray icon is dimmed and the media information is replaced by the text “-disabled-” (see ‘Icons’ on page 144).

Note: *Special media are excluded from the automatic behavior of the Océ Power Logic® Controller.*

The Scanner status display Displays the current status of the scanner. Any error messages displayed on the scanner control panel will also appear in the scanner status window of the Océ System Control Panel.

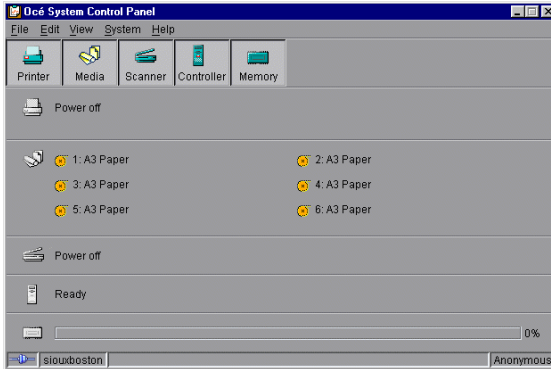
The set memory meter Indicates how much of the set memory is filled. The information is displayed in the form of a meter which is divided into three zones:

- Green: safe, you have enough space left to print large jobs/many small jobs
- Orange: pay attention, you might reach the set memory limit soon
- Red: the set memory is (nearly) full; you should remove files or wait until files are printed and automatically removed or flushed from memory. No more print jobs are accepted. copy jobs can still be made.

Note: *At the right of the set memory meter a percentage is displayed, indicating the amount of set memory currently being used.*

Set the threshold values for the orange and red zones in the Océ Settings Editor (see ‘Find system settings in the Settings Editor’ on page 139).

Below the Océ System Control Panel main window is displayed:



[69] Océ System Control Panel window

Icons

The Océ TDS800 Océ System Control Panel uses a number of icons to display information about the media available on the printer. The following icons are used:



The material is available and the roll is ready for printing.



The roll is disabled.



The roll is enabled but empty.

User actions

The Océ System Control Panel allows you to perform the following actions:

- Make a demo print
- Print your system configuration
- Clear the system
- Shut down the system

▼ **Make a demo print**

- 1 Select the 'Demo print' option in the 'System' menu.
A demo print is made on the printer.

▼ **Print your system configuration**

- 1 Select the 'Print settings' option in the 'System' menu.
A list is printed of the current settings on the Océ Power Logic® Controller.

▼ **Clear the system**

- 1 Select the 'Clear system' option in the 'System' menu to delete all jobs.
You can use this option in case of a corrupt job which can not be deleted with the help of the Océ Queue Manager.

Note: *This option is only available in repro operator, key operator and system administrator mode. In anonymous user mode it is not possible to clear the system.*

▼ **Shut down the system**

- 1 Select the 'Shut down' option in the 'System' menu to shut down the system.
Note: *In anonymous user mode it is not possible to shut down the system.*

Chapter 8

Océ Power Logic®: Queue Manager

This chapter describes how to view the Océ TDS800 System print queue, history queue and inbox queue. This chapter contains a description of how to manage jobs in the Océ Queue Manager.



Introduction

The Océ Queue Manager application provides you with a graphical representation of the print queue. It allows you to view the print queue and the status of the print jobs as well as to manage the jobs in the queue. With the Océ Queue Manager you can:

- Abort the job currently being printed
- Delete jobs in the queue
- Put jobs in the queue on hold
- Print jobs from the history queue
- Print jobs from the inbox queue
- Move jobs to the top of the queue
- Restart jobs that were previously put on hold in the queue

▼ **Start Océ Queue Manager on a remote workstation**

Note: *You must first install Océ Remote Logic® in 'Installation procedure for Microsoft® Windows systems' on page 157.*

- 1 Select 'Océ Remote Logic®' via the 'Start' menu, or
- 2 Select the 'Launcher' application.
- 3 Select Queue Manager. Océ Queue Manager starts.

Note: *To start more than one Océ Queue Manager, Océ System Control Panel or Océ Settings Editor you can better use the Launcher.*

Structure

The Océ Queue Manager window is divided into the following parts (see Figure 70 on page 150):

- The standard menu bar.
The menu bar for the Océ Queue Manager contains the following menus:
 - File: 'Logon', 'Logoff', 'Connect to', 'Close'
 - Edit: set the default printer and 'Auto logon'.
 - View: selecting the language, switching between queues, and configuring the view of the queues.
 - Help: About Océ Queue Manager, Contents of the help,.
- The toolbar
The toolbar for the Océ Queue Manager contains the following icons:
 - 'Hold', 'Resume', 'Move to top', 'Delete' and 'Print'.

- The active print job window.
This window displays the job currently being printed on the Océ TDS800.
- The print queue window.
This window has a tabular format and shows the jobs waiting to be printed.
The jobs are displayed in the order in which they are expected to be printed.
Note: *Set the copy priority setting in the Océ Settings Editor to have copy jobs take priority over print jobs* (see ‘Find system settings in the Settings Editor’ on page 139).

- Inbox queue
The inbox queue contains print jobs which have been sent to the inbox on the controller. You can print these jobs, view the properties and delete these jobs.
- History queue
The history queue contains print and copy jobs which have been printed. You can print these jobs, view, edit some the properties and delete these jobs. You can set how long and how many jobs are kept in the history queue, in the Océ Settings Editor (see ‘Find system settings in the Settings Editor’ on page 139).

Note: *You can not view the history queue and inbox queue at the same time. Select either the history queue or the inbox queue from view menu on the toolbar. They will be visible in the right pane of the queue manager window.*

Note: *The Inbox queue and History queue are not active when advanced Queue Management is disabled*

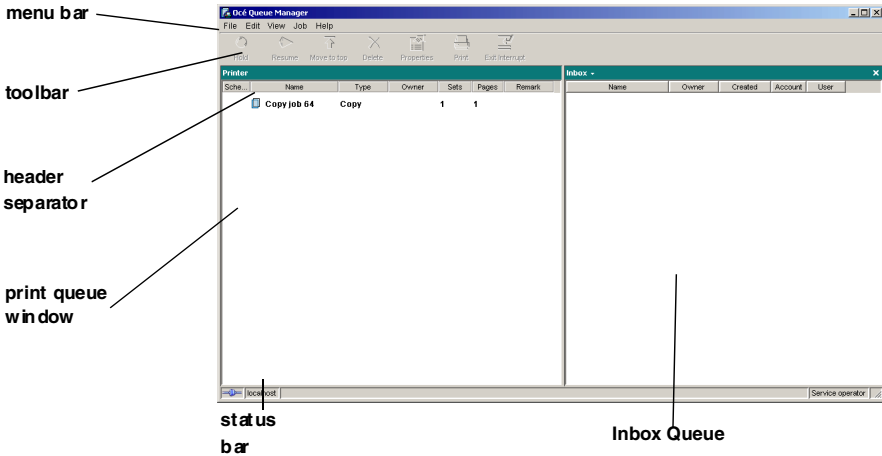
- Status bar
The Océ Queue Manager has a status bar displaying the following information:
 - System status (connected, not connected)
 - The connected system
 - The job status e.g. ‘printing job.A0.hp’
 - User mode

For each job the following information is displayed:

- The current status and schedule of the job in the form of an icon. See ‘Icons’ on page 152.
- The name of the print job.
- The type of job (print job / copy job)
- The name of the user who has submitted the print job.
- The number of sets and pages.
- Any remarks (e.g. ‘Manual Feed’).

You can resize the columns in the main queue window by dragging the table header separators. It is also possible to change the order of the columns by dragging a specific column to a new position.

Note: You can sort the inbox queue and history queue. You can not sort the printer queue.



[70] Océ Queue Manager window

Modes

The Océ TDS800 Queue Manager has the following modes:

- Anonymous user mode
- Repro operator mode
- Key operator mode
- System administrator mode
- Service operator mode

These different modes are designed to limit access to the specific functions to authorized users only.

The anonymous user mode only offers view access of the queue. In this mode, the buttons and menu items are disabled.

The repro operator, the key operator and the system administrator modes allow you to perform a number of activities on the jobs in the queue, with the help of the Abort, Delete, Resume and Hold buttons. The service operator mode is intended for use by Océ technicians.

Note: *In the Océ Queue Manager and the Océ System Control Panel, the repro operator, the key operator and the system administrator have the same user rights. In the Océ Settings Editor, however, the user modes offer different rights (see ‘Find system settings in the Settings Editor’ on page 139).*

Access The access to the key operator, repro operator, system administrator modes and service operator is password protected to allow only authorized personnel to use particular functions. You can enter these modes by selecting the Logon option from the File menu and by specifying the correct password when prompted for it, (see ‘Log on’ on page 164).

From the ‘File’ menu, select ‘Close’ to exit the Océ Queue Manager.

Job priority The priority of print and copy jobs in the Océ Queue Manager is determined by the order in which they are submitted to the Océ TDS800. However, there is a setting in the Océ Settings Editor which allows you to give copy jobs priority over print jobs (see ‘Find system settings in the Settings Editor’ on page 139).

Icons

The Océ TDS800 Queue Manager uses a number of icons to display information about a job in the queue. The following icons are used:



[71] Receiving the job



[72] Received the job



[73] Processing / processed the job



[74] The job in progress



[75] Printing the job



[76] Delivering the job



[77] The delivered job



[78] The deleted job



[79] A job that requires manual feed



[80] The job is placed on hold by the user or the system.



[81] Attention, needs operator attention (e.g. a media request).

Managing print jobs

▼ View the print queue

The Océ Queue Manager displays all jobs sent to the print queue in a list sorted according to the order in which they will be printed.

The order can be changed by:

- deleting jobs
- putting jobs on hold
- restarting jobs currently on hold
- moving jobs to top (not when advanced Queue management is disabled)

This list will be automatically updated.

Note: *Queue operations can only be performed when you are properly authorized. Before you can use the Océ Queue Manager in a different mode, you first have to enter a password to get the required access. See 'User modes' on page 163.*

▼ Deleting print jobs

- 1 Select the desired jobs by clicking on them.

You can select a consecutive list of jobs to be deleted by clicking on the first job, holding down the Shift key and clicking on the last job. You can select a non-consecutive list of jobs to be deleted by clicking on each desired job while holding down the Ctrl key.

Note: *To delete a job from a remote client, you need repro operator, key operator or system administrator rights.*

- 2 Click on the Delete button.

A cross icon is displayed in front of the job indicating it will be deleted. After the job is actually deleted, the job is removed from the queue.

Note: *Make sure you take this into account before you use the Delete button. A delete operation cannot be undone.*

▼ **Putting print jobs on hold**

- 1 Select the desired jobs by clicking on them.

You can select a consecutive list of jobs to be put on hold by clicking on the first job, holding down the Shift key and clicking on the last job. You can select a non-consecutive list of jobs to be put on hold by clicking on each desired job while holding down the Ctrl key.

- 2 Click on the Hold button.

A job that is put on hold will retain its position in the print queue. Once it reaches the top of the queue, the job that is put on hold will stay there until it is restarted or deleted. While a job is on hold, other jobs will be printed, even when they were behind the job on hold in the queue. The active job and the jobs in printing state can not be put on hold by the Océ Queue Manager.

▼ **Restart jobs that are put on hold**

- 1 Select the desired jobs by clicking on them.

You can select a consecutive list of jobs to be restarted by clicking on the first job, holding down the Shift key and clicking on the last job. You can select a non-consecutive list of jobs to be restarted by clicking on each desired job while holding down the Ctrl key.

- 2 Click on the Resume button.

The selected jobs are now restarted.

▼ **Move jobs to top**

Note: *Not when advanced Queue Management is disabled.*

- 1 Select the desired jobs by clicking on them.

- 2 Click on the Move to top button on the toolbar.

If more than one job is selected then the first selected job will be on top, the second will be on top, the second below that one and so on.

Chapter 9

Océ Power Logic®: Remote Logic

This chapter describes how to install and use Océ Remote Logic®.



Introduction

Océ Remote Logic® enables you to:

- View system status (Océ System Control Panel).
- Manage print jobs (Océ Queue Manager).
- Change settings (Océ Settings Editor).

Océ Remote Logic® has five different user modes (see ‘User modes’ on page 163). These user modes are meant to limit access to special functions to authorized users only. Log in to get access to one of the user modes.

Change the display language, to operate the Océ Remote Logic® in your language. Use the help system if you do not know how to work with the applications.

Océ Remote Logic® is available on the local host and as a remote version except for Océ Scan Manager which is only available on the local host.

The Océ Remote Logic® applications can operate separately. If you start the applications separately, you have to log on and select a language in each application. If you start the applications via the Application Launcher, the language is selected automatically.

Note: *The default language is English UK*

Installation procedure for Microsoft® Windows systems

Before you install Océ Remote Logic®, you must take note of the following minimum system requirements for the remote system. The system must be a Pentium® 233 with 32 Mb RAM running Windows® 95, 98, NT® (service pack 3), Windows® 2000 or XP.

Océ Remote Logic® (Océ Queue Manager, Océ System Control Panel and Océ Settings Editor) are on the Océ TDS800 CD-ROM and on the Océ Power Logic Controller® CD-ROM provided with the system. The installation procedure for Océ Remote Logic® is quite simple and self-explanatory. When you select the 'Install remote applications' option on the CD-ROM, a Wizard starts to guide you through the installation process. When the installation process is complete you do not have to restart your system.

Note: *Océ Remote Logic only works when TCP/IP is enabled on your system. Refer to your system administrator for assistance with the installation procedure for TCP/IP.*



Install Océ Remote Logic®

- 1 Insert the Océ TDS800 CD-ROM or the Océ Power Logic® Controller CD-ROM into the CD-ROM drive of your PC.
- 2 Select the 'Install remote applications' option.
The installation Wizard starts, and asks to select a setup language.



[82] Choosing a setup language

- 3 Indicate the required language and click 'OK'.
- 4 Follow the instructions on screen to complete the installation of 'Océ Remote Logic®'.

The programs are now installed. Each application is installed separately and as part of a combined version called Application Launcher.

When the installation is complete, you can start the 'Application Launcher' by selecting them from the specified folder in the 'Start' menu.

To work with the Application Launcher you first have to connect to an available Océ TDS800 machine. How to connect is described in 'How to use the remote system' on page 169.

If you plan to work with more than one of the available remote applications, you are advised to use the Application Launcher, because this uses less system resources than the individual applications.

Installation procedure for Unix systems

Note: A system administrator must install 'Océ Remote Logic®' on a UNIX system.

Océ Remote Logic® is set up to be platform independent. It runs on a variety of operating systems providing that a Java™ runtime environment is available for that platform. The Java™ runtime environment must be installed by a user with system administrator privileges. It is also assumed that Océ Remote Logic® is installed by an experienced user.

UNIX versions and the required JRE			
UNIX version	OS version	JRE	Default installation directory
IBM AIX	4.1.5	1.1.6	/usr/jdk_base
IBM AIX	4.2.1	1.1.8	/usr/jdk_base
IBM AIX	4.3.3 + fix	1.2.2	/usr/jdk_dev2
IBM AIX	4.3.3.10 + fix	1.3.0	/usr/jdk_java130
SUN Solaris®	2.6	1.1.6	
HP-UX	10.20	1.1.3	
LINUX	1.0	1.1.3	
LINUX	1.2	1.1.8	

Note: OS = Operating System, JRE = Java™ Runtime Environment

General installation instructions

- ▼ **Install 'Océ TDS800 Remote logic®'**
- 1 Check if a Java™ runtime environment (JRE) is installed on the system. The preferred version is JRE 1.1.8. Below you can find some links to JRE's for various UNIX platforms.
 - 2 Unpack the contents of the file 'Océ Remote Logic_vX.tar' to a subdirectory on the system.
 - 3 Use 'tar xvf RemoteLogic_vX.tar' to unpack.
 - 4 Set the environment variable 'RL-VM-HOME' to point to the installation of the JVM.

- 5 Edit this file so that it points to the JRE of the system. (instructions are supplied in the file).
- 6 Save the file 'clientstart'.
- 7 Run the file 'clientstart' with the applications as parameters. (e.g. clientstart QM SCP SE to start the three applications), or run 'Application Launcher' to start the applications, (alternately modify the file 'clientstart').

IBM AIX

For the various versions of IBM AIX, Java™ runtime engines can be downloaded from:

<http://www.ibm.com/java>

The preferred version of the Java™ runtime engine for use with Océ Remote Logic® is the 1.1.8 version.

HP-UX

For HP-UX 10.20 and 11.00 the runtime engine can be downloaded from:

<http://www.unix.hp.com/java>

The preferred version of the Java™ runtime environment for HP-UX environment 10.20 and HP-UX environment 11.00 is version C.01.18.xx.

Linux

IBM has a runtime engine available for Linux which can be downloaded from:

<http://www.ibm.com/java>

Installation procedure for Apple Macintosh®

Apple also has a Java™ runtime environment for the Macintosh®. The Mac OS Runtime for Java™ (MRJ) can be obtained at:
<http://www.apple.com/>

Installation instructions for Apple Macintosh® are not available at this time.

Use Océ Remote Logic®

Océ Remote Logic® enables you to:

- View the system status (Océ System Control Panel).
- Manage print jobs (Océ Queue Manager).
- Change settings (Océ Settings Editor).

Océ Remote Logic® has five different user modes (see 'User modes' on page 163). These user modes are meant to limit access to special functions to authorized users only. Log in to get access to one of the user modes.

Change the display language, to operate Océ TDS800 in the language of your selection. Use the on-line help system if you do not know how to go on with the applications.

The Océ TDS800 applications operate separately. You have to log on and select a language in each application.

Start the Océ TDS applications via the 'Start' menu or via the Application Launcher application.

▼ **Start Océ TDS800 on a remote workstation**

- 1 Select 'Océ TDS800' via the 'Start' menu.
- 2 Select Application Launcher.
- 3 Select the required application.

User modes

The following user modes are available:

- Anonymous user mode
- Repro operator mode
- Key operator mode
- System administrator mode
- Service operator mode

The anonymous user mode only offers monitoring capabilities. You are not allowed to change anything.

The repro operator, the key operator and the system administrator modes allow you to perform a number of user actions.

In the Océ Queue Manager and the Océ System Control Panel the repro operator, the key operator and the system administrator have the same user rights. The repro operator, the key operator and the system administrator modes allow you to perform a number of activities on the jobs in the queue, with the help of the Abort, Delete, Resume and Hold buttons.

In the Océ Settings Editor, however, the user modes offer different rights. In repro operator mode, the operator is allowed to only view settings in the key operator and system administrator views.

In key operator mode, the operator is allowed to view and change settings in the key operator view. The key operator is also allowed to view system administration settings, but is not able to change them.

In system administrator mode, the operator is allowed to view and change settings in the system administrator view. The system administrator is also allowed to view key operator settings, but is not able to change them.

The service operator mode is meant for the Océ technician.

When you are not authorised to perform a certain action, the action is grayed out.

Note: *The status bar at the bottom displays the active user mode.*

Log on

The access to the key operator, repro operator, system administrator and service operator modes is password protected to allow only authorised personnel to use particular functions.

The default password for the System Administrator is: SysAdm.

The default password for the Key Operator is: KeyOp.

The default password for the Repro Operator is: ReproOp.

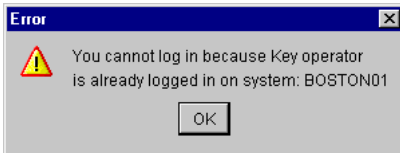
Note: *The default passwords are case sensitive. Change the passwords after your first logon.*

▼ How to log on

- 1 From the 'File' menu, select 'Log on'.
- 2 Select the correct user name.
- 3 Enter the Password.
- 4 Click 'OK'.

Note: *Log on to all Océ TDS800 programs, to operate with all the applications.*

Logon is restricted to one user only. When a second user attempts to log on an error message will appear (see figure below).



[83] When a second user attempts to log on an error message will appear

Log off

You have to log off to leave the key operator, repro operator and system administrator modes.

▼ How to log off

- 1 From the 'File' menu, select 'Log off'.
You return to anonymous user mode.

Note: *Log off from all Océ Remote Logic applications separately.*

To change the password

You can change your password on a standard base. You can change the password for each user mode (except anonymous user mode, for which no password is required and service operator) by taking the following steps:

▼ **Change the password:**

- 1 From the 'File' menu, select 'Log on'.
- 2 Click the Password button.
- 3 Select the correct user name in the 'User name' drop-down list box.
- 4 Enter the old password in the 'Password' text box.
- 5 Enter the new password in the 'New password' text box.
- 6 Enter the new password in the 'Confirm new password' text box and click 'OK' to confirm the new password.

Automatic logon

If you do not want to log on each time you start an application, you can select the automatic logon function. This option allows you to start an application automatically in the indicated user mode.

▼ **Enable automatic logon**

- 1 From the 'Edit' menu, select 'Options'.
The Options window appears.
- 2 Select the 'Enable automatic logon' check box.
- 3 Select the correct user mode and enter your password for that user mode.
- 4 Click 'OK'.
Automatic logon is now enabled.

Note: *Enable Automatic logon in all four Océ Remote Logic applications separately.*

Language

From the 'View' menu, select 'Language', to select one of the supported languages.

Note: *The check mark in front of the language indicates that this is the active display language.*

▼ **Set the languages**

- 1 From the 'View' menu, select 'Language'.
To change the language in the scanner and printing operator panels, change the display language setting in the Océ Settings Editor.

Help

▼ **Display help information**

- 1 Open the 'Help' menu and select 'Contents'.
Here you find help information for all applications and functions of the Océ TDS800 applications.

Command line parameters

In order to start the remote applications faster, there are 6 command line parameters available.

configfile=<config_file> Sets the configuration file to use.

server=server Sets the specified server as the server to connect to.

language1=lang Specifies the first language in combination with the parameter 'country1=country'.

country1=country Specifies the first language in combination with the parameter 'language1=language'.

language2=lang Specifies the second language in combination with the parameter 'country2=country'.

country2=country Specifies the second language in combination with the parameter 'language2=language'.

Note: You must always use a matching combination of 'lang' and 'country'.

Language parameters		
Language	parameter (lang)	Country
Danish	da	DK
Czech	cs	CZ
Spanish	es	ES
Finnish	fi	FI
Hungarian	hu	HU
Italian	it	IT
US English	en	US
UK English	en	GB
Dutch	nl	NL
German	de	DE
French	fr	FR
Portuguese	pt	PT
Norwegian	no	NO
Swedish	sv	SE
Polish	pl	PL
Japanese	ja	JP
Chinese Simplified	cn	CN
Chinese Traditional	cn	TW

The parameters can be applied to the following applications:

- QM.exe (Océ Queue Manager)
- SCP.exe (Océ System Control Panel)
- SE.exe (Océ Settings Editor)
- Launcher (Océ Queue Manager, Océ System Control Panel, and Océ Settings Editor)

Note: These applications are usually located in 'C:\Program Files\OceRemote Logic\Bin'.

The easiest way to do this is by creating a short-cut of an application and then add the command line properties.

Example command line parameter Below is an example of how to start the Océ TDS800 applications with the configuration file 'Myconfig.cfg',

connected to the 'MyTDS800' server. The first language is set to US English and the second to French:

```
'C:\Program Files\Remote Logic\Bin\AL.exe -configFile=Myconfig.cfg  
server=MyTDS800 language1=en country1=US language2=fr country2=FR'.
```

How to use the remote system

Start up the Océ Remote Logic applications (Océ Settings Editor, Océ Queue manager, Océ System control panel), on a remote client after you installed the software (see 'Installation procedure for Microsoft® Windows systems' on page 157). In order to use the functionality you first have to add an Océ TDS800 system and then connect to an available Océ TDS800 system.

▼ **Add an Océ TDS800**

- 1 Open the 'File' menu and select 'Connect to'.
A dialog box will appear with a drop-down list box containing the already added Océ TDS800 systems.
- 2 Click 'Edit...'. The 'Edit systems' dialog box appears.
- 3 Enter the IP address or the name of the Océ TDS800 system you want to connect to, in the 'Systems' text box.
- 4 Click 'Add'. The system is added to the list. You can add as many systems.
Note: *You can also remove an Océ TDS800 system. Select one in the list and click 'Remove'.*
- 5 Click OK twice to return to the application.

Note: *Before you can add an Océ TDS800 system, the system has to be installed and configured by a system consultant or a technician.*

▼ **Connect to an Océ TDS800 system**

- 1 Open the 'File' menu and select 'Connect to'.
A dialog box will appear containing a drop-down list box with the available Océ TDS800 systems.
- 2 Select one of the available Océ TDS800 systems and click on 'OK'. When you connect to another system, all settings have to be retrieved. This may take some time.

Chapter 10

Océ Account Center

This chapter describes what Account Center is and how to use it.



Introduction

Océ Account Center is an application used to manage the account information of print, copy and scan-to-file jobs. Océ Account Center consists of the following two applications:

- **Océ Account Logic.**

Océ Account Logic requests the operator and the user to enter account information. The operator can enter the account information at the Océ Power Logic® controller for the copy and scan-to-file jobs. The user can enter the account information at the workstation for the print jobs. Océ Account Logic runs on the Océ Power Logic® controller and is available through your Internet browser (see 'Océ Account Logic' on page 173).

- **Océ Account Console.**

Océ Account Console provides options for managing the account information. The system administrator uses the Océ Account Console to define the contents of the account information in the dialog boxes in the Océ Account Logic application. Océ Account Console runs on the workstation of the system administrator. Access to Océ Account Console application is password protected and limited to the system administrator (see 'Océ Account Console' on page 175).

Océ Account Logic

Introduction to Océ Account Logic

Use Océ Account Logic to link account information to your job. The account information requirements are defined and managed by the system administrator. Use Océ Account Logic for the following:

- Enter the account information for the print jobs
- Manage print jobs that do not have valid account information
- Enter account information for the copy and scan-to-file jobs
- Lock and unlock the scanner
- Administer Océ Account Logic (administrators only).

Océ Power Logic[®] controller setup

Before you begin to use Océ Account Logic, you must define the correct settings in the Océ Settings Editor.

System setting	Reference on	Path in Settings Editor
KO - System - Enabling passwords - Advanced Queue Manager	Use the correct password to enable the 'Advanced Queue Manager'	Advanced Queue Manager adds the 'Inbox' feature to the Océ Queue manager. Océ Account Logic requires that you use the 'Inbox'.
KO - System - Enabling passwords - Account logging	Use the correct password to enable account logging.	Before you can use Océ Account Logic, enable account logging on Océ Power Logic [®] controller

System setting	Reference on	Path in Settings Editor
KO - System - Job management - Print jobs	Select 'Jobs in inbox'.	Océ Account Logic requires that all jobs are send to the 'Inbox'. Note: The print jobs that have valid account information are automatically moved from the Inbox to the Print queue. Enter the account information for the print jobs that do not have valid account information on the 'Print' tab of Océ Account Logic.
KO - System - Job management - Rights for printing	Select 'Special user'.	Océ Account Logic is a special user on the Océ Power Logic® controller.
KO - Scanner - Settings - Timers - Panel timeout	Océ advises you to set the panel timeout to the minimum value (30 seconds).	When the check box 'The scanner locks when the scanner panel timeout expires' is checked in the 'Define the account information requirements for the jobs' section of the administration window, the user is required to unlock the scanner for the copy jobs and scan-to-file jobs. The scanner locks when the scanner panel timeout expires.

Note: Please consult the Océ Account Center user manual and the on-line help in the application for detailed information.

Océ Account Console

Introduction to Océ Account Console

Océ Account Console is installed on a PC that functions as a server. Access to Océ Account Console is password protected and limited to the administrator. Use Océ Account Console for the following:

- Manage, preview, and publish the account information dialog for Océ Account Logic
- Retrieve and export the log files.

Summary of Océ Account Console

Océ Account Console has the following three sections.

- The 'Account fields' tab
Use this tab to create, manage, preview, and publish the 'Account information' dialog for Océ Account Logic.
- The 'Account data' tab
Use this tab to define the devices from where the log files are retrieved.
Use this tab to export the log files.
- The 'Administration' window.
Use this screen to define the administrative settings for the application, and to change the password for Océ Account Console.

Note: *Please consult the Océ Account Center user manual and the on-line help in the application for detailed information.*

Chapter 11

The folder

This chapter describes:

- *The folder*
- *The reinforcement unit*
- *The belt unit*
- *The punch unit*



Introduction

If you have a folder installed on your Océ TDS800 system, the following other optional features are available:

- Reinforcement unit
- First belt unit
- Second belt unit
- Punch unit

Folder

The Océ TDS800 can have a folder to fold your output. The output is folded according to the selected folding width and length with the drawing method. Set the drawing method in the Océ Settings Editor (see 'Find system settings in the Settings Editor' on page 139).

Note: *You can only fold paper. Polyester, transparent or vellum media cannot be folded. If you try to fold polyester, transparent or vellum media, a media jam will occur.*

Standard folding settings By default, you use the standard folding settings defined for your Océ TDS800 system by the key operator. The following settings are available:

▼ **Set the folded copy delivery**

- 1 Press the 'Finishing' card in the 'Print' section.
- 2 Press the function key 'Folded copy delivery'.
- 3 Select 'Stacker' or 'Belt'.

▼ **Set folding legend**

- 1 Press the 'Feeding' card in the 'Original' section.
- 2 Press the function key 'Legend location'.
- 3 Select 'Leading' or 'Trailing'.

Note: *In the drivers this setting is called the 'Folding orientation', with the options 'Portrait', 'Landscape' and 'Automatic'.*

▼ **Set the drawing method**

- 1 Press the 'Feeding' card in the 'Original' section.
- 2 Press the function key 'Drawing method'.
- 3 Select 'Standard', 'Ericsson' or 'Afnor'.

▼ **Set the folded package width**

- 1 Press the 'Finishing' card in the 'Print' section.
- 2 Press the function key 'Folded package'.
- 3 Select 'Width'.
- 4 Enter a range between 186 - 230 mm or 7.3 - 9 inch, in steps of 1 mm or 0.1 inch; default 210 mm or 9 inch.

▼ **Set the folded package length)**

- 1 Press the 'Finishing' card in the 'Print' section.
- 2 Press the function key 'Folded package'.
- 3 Select 'Length'.
- 4 Enter a range between 276 - 310 mm or 10.9 - 12.2 inch., in steps of 1 mm or 0.1 inch; default 297 mm or 12 inch

▼ **Set the binding strip**

- 1 Press the 'Finishing' card in the 'Print' section.
- 2 Press the function key 'Binding'.
- 3 Select binding enabled or disabled.
- 4 If you selected enabled enter a range between 15 - 30 mm or 0.6 - 1.2 inch, in steps of 1 mm or 0.1 inch; default 20 mm or 0.8 inch.

▼ **Set the reinforcement**

- 1 Press the 'Finishing' card in the 'Print' section.
- 2 Press the function key 'Binding'.
- 3 Select 'Reinforce' enabled or disabled.

Note: *Reinforcement is only possible with the Standard folding method*

You can overrule the standard folding program with settings from the printer driver or the scanner operator panel.

Find more information about Océ printer drivers in the on-line help. How to make folding settings on the Océ TDS800 Scanner panel is described below.

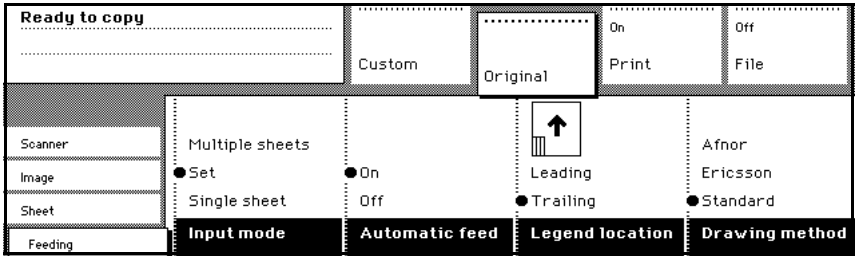
See 'Standard folding settings' on page 179 for complete information about defining default folding settings.

▼ **Fold settings from the Océ TDS800 scanner operator panel**

- 1 Open the 'Feeding' card in the 'Original' section and press the 'Legend location' function key to select the required legend location ('Leading' or 'Trailing').

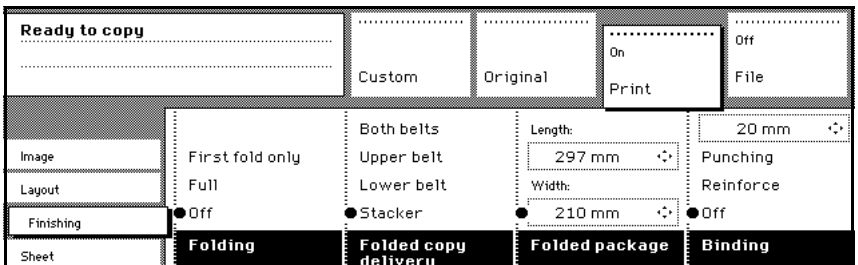
Note: *Make certain that your legend is always located on your left-hand side to ensure correct positioning of the legend during folding.*

- 2 Press the 'Drawing method' function key to select 'Standard', 'Ericsson' or 'Afnor' fold.



[84] Fold options from the scanner operator panel

- 3 Open the 'Finishing' card in the 'Print' section.
- 4 Press the 'Folding' function key to select 'Full' or 'First fold only' (see Figure 85).
- 5 Press the 'Folded package' function key and change the length and/or width of the folded package, as required, by using the arrow keys or the numeric keys.
- 6 If required, press the 'Binding' function key. Set the required binding strip using the arrow keys or the numeric keys.
- 7 Make other settings as required.
- 8 Feed the original.



[85] Fold options from the scanner operator panel

You can also select a drawing method and, if needed, a folding length, folding width and binding strip. When you change the folding length and/or folding width, and the folder has a belt, you must also adjust the side guides of this unit.

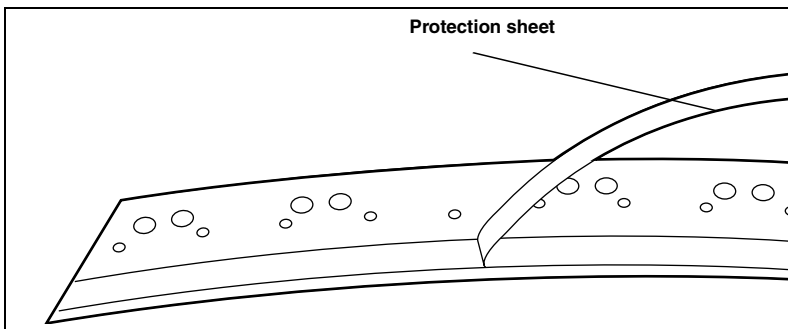
Maximum folding length There are maximum values for different kind of paper. The tables below show the maximum values for three different weights of paper and the possible folded output for 110 grams paper.

Maximum output lengths for folding				
	First fold output	Stacker 2nd fold	Stacker 2nd fold	Belt 2nd fold
Paper weight [g/m ²]	1st fold [mm / inch]	2 folds [mm / inch]	3 folds [mm / inch]	2folds [mm / inch]
60	1220 / 48	1220 / 48	1220 / 48	1220 / 48
75	6000 / 236	2500 / 98	2000 / 79	1220 / 48
110	2500 / 98	1220 / 48	not possible	1220 / 48

Folding settings 110 grams		
	Output length	Delivery
'Stacker' or 'Belt' selected	< 1220 mm (3 folds)	Delivered in first fold delivery
	< 1220 mm (2 folds)	Delivered on stacker or belt
	> 1220 mm < 2500 mm	Delivered in first fold delivery
	> 2500 mm	Unfolded, delivered in copy delivery tray
'First fold only' selected	< 2500 mm	Delivered in first fold delivery
	> 2500 mm	Unfolded, delivered in copy delivery tray

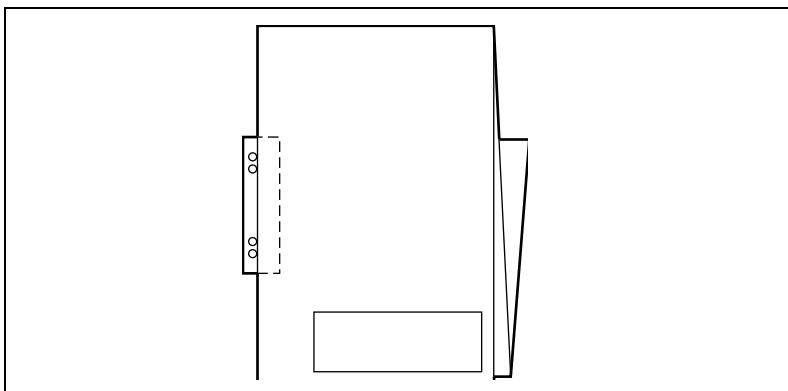
Reinforcement unit

If you install a reinforcement unit, output can be delivered with a pre-punched, self-adhesive strip (see Figure 86).



[86] Example a of reinforcement strip

With this strip the output can be stored in a binder, without running the risk that the punching holes tear out. You can unfold a folded map in a binder without opening the binder mechanism (see Figure 87).



[87] Example of a folded map with a reinforcement strip

The optional reinforcement unit supports all media sizes larger than A4. However, A4 size media can also be reinforced if you enable A4 reinforcement in the Settings Editor (see ‘Find system settings in the Settings Editor’ on page 139).

Note: *Reinforcement is only possible with the Standard folding method.*

See ‘Reinforcement unit’ on page 183 for more information about inserting a new tape roll and other maintenance issues.

- ▼ **Enable reinforcement**
- 1 Click on the ‘Jobs’ key in the Océ Settings Editor.
 - 2 Select the ‘Copy’ tab if you want to enable folding reinforcement for copy jobs or select the ‘Print’ tab if you want to enable folding reinforcement for print jobs.
 - 3 Open the ‘Defaults’ folder.
 - 4 Open the ‘Finishing’ folder.
 - 5 Select the ‘Folding reinforcement’ option.
 - 6 Enable folding reinforcement in the right part of the window.
 - 7 Click on the ‘Apply’ key to save any changes you have made.

Belt unit

The belt units offer a large capacity and more flexibility. On the belt unit 170 folded A0 prints can be delivered offset stacked. You can adjust the side guides of the belt, depending on the width of the folded package.

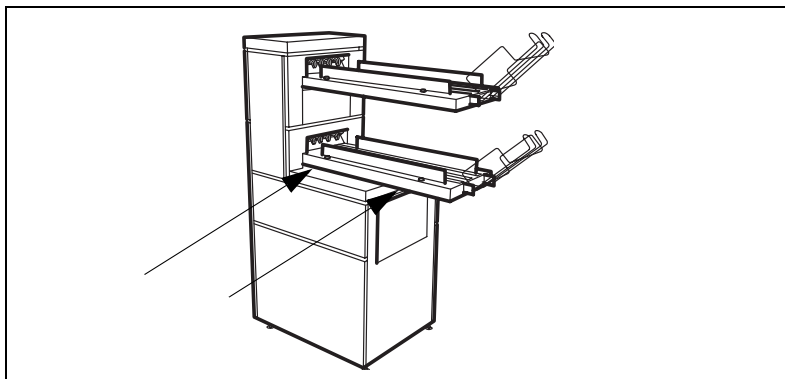
Note: *The belt unit can also be selected from the drivers or the scanner operator panel. The remote command overrules the key operator setting.*

▼ **Selecting belt as folded copy delivery on scanner operator panel**

- 1 Open the 'Finishing' card in the 'Print' section of the scanner operator panel.
- 2 Press the 'Folding' function key to select full folding.
- 3 Press the 'Folded copy delivery' function key to select the belt.
You have 3 options (depending on your configuration): the upper belt, the lower belt or both belts.

▼ **Adjusting the side guides of the belt**

- 1 Loosen the nuts (see Figure 88).



[88] Adjust the side guides of the belt

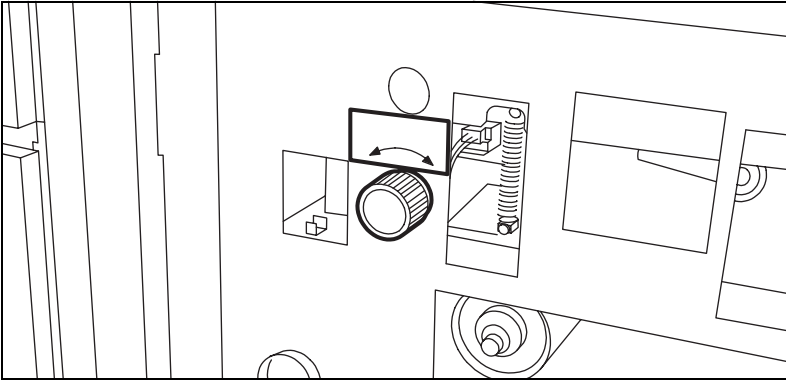
- 2 Adjust the plate in accordance with the width of the fold package.
- 3 Tighten the nuts.

Note: *If you change the folding width or the folding length, you have to adjust the punch unit.*



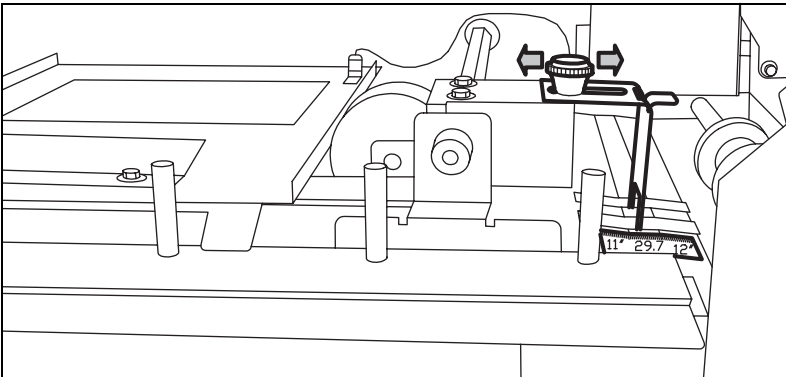
Adjust the punch unit

- 1 Open the front door of the high capacity output unit of the folder.
- 2 Turn the black knob to adjust the folding width (see Figure 89). Refer to the sticker inside the unit.



[89] Knob to adjust the folding width in the punch unit

- 3 Loosen the screw and place the plate according to the folding length (see Figure 90).



[90] Nut to adjust the folding length in the punch unit

- 4 Tighten the screw.

Belt full detection

The Océ TDS800 has a belt full detection on both belts. The attention light on the printer operator panel will go on if the belt is full. The system can switch belts when the first belt is full. You can set after how many jobs the belt is full.

Chapter 12

Media and supplies

This chapter describes how to:

- *Load paper*
- *Add toner*
- *Change tape in the reinforcement unit*



Load rolls of media

The Océ TDS800 has three paper roll compartments with each two rolls. The rolls one, three and five have a roll loader. Each of the rolls can be loaded with media of a different size or type. The operator panel displays the width and the type of media on each roll.

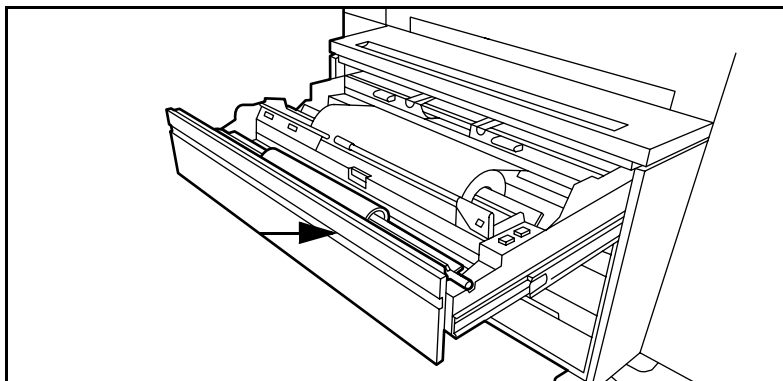
If you load new media, you must indicate to the system which type of media you have loaded: paper, transparent, vellum or polyester. The roll width is detected automatically.

The definition of the new media is important when 'Automatic roll switch' is on.



Load paper

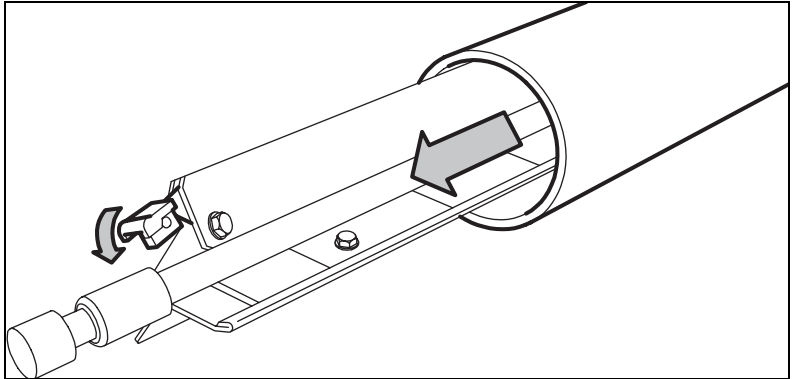
- 1 Open the correct paper roll compartment (see Figure 91).



[91] Open the correct paper roll compartment

- 2 If necessary clear the chip tray (see 'Clear the chip tray' on page 193)).
- 3 Remove the roll holder from the paper roll compartment.

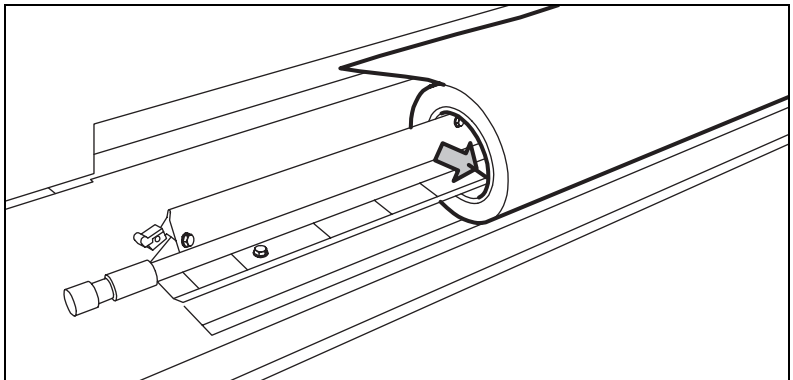
- 4 Press the green knob inside the roll holder to release the locking mechanism and remove the core from the holder (see Figure 92).



[92] Remove the core from the holder

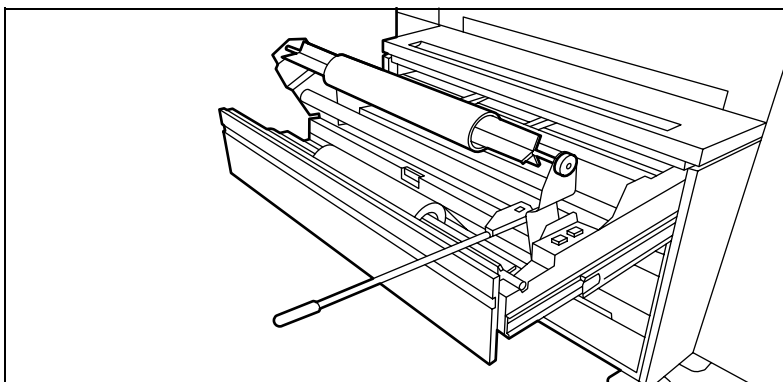
Note: You can place the new roll in the groove on the manual feed of the printer. See the arrow on picture 91 on page 188.

- 5 Press the locking mechanism down and slide the roll holder from the left into the core of the new roll.
- 6 Position the roll between the correct format indicators and release the locking mechanism (see Figure 93).



[93] Place a new roll on the holder

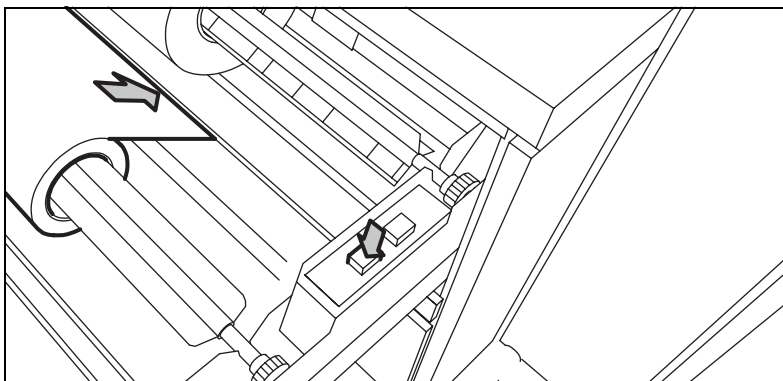
- 7 Use both hands to put the holder in the paper roll compartment. First, position the left hand side of the holder in its notch, then position the right hand side in its notch (see Figure 94).



[94] Put the roll into the paper roll compartment

- 8 If the new roll does not have a straight leading strip you can cut it manually.
- 9 Press the correct button inside the paper roll compartment and feed the paper between the input guide plates as indicated by the arrow (see Figure 95). The material is fed into the machine.

Note: Also see the stickers inside the roll compartments on how to feed paper.



[95] Button to feed the paper

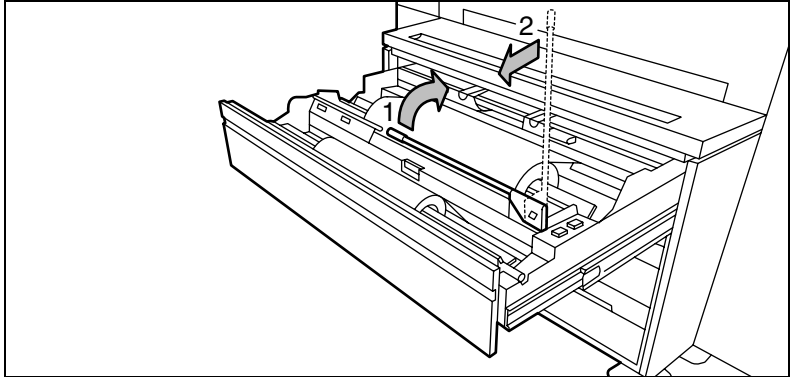
- 10 Close the paper roll compartment. The material is cut. The size of material is indicated on the operator panel.

Note: If you have loaded another media type, you have to define the type (see 'Define the media type' on page 192).



Use the roll loader to load a roll

- 1 Fully open the roll compartment.
In the drawer, the roll loaders are installed. The roll loaders consist of a metal frame with a lever and a green knob in the middle of the lever.
- 2 Pull the horizontal lever to the right to put the roll loader in vertical position.
- 3 Pull the lever completely forward. The roll holder is lifted (see Figure 96).



[96] Roll loader in vertical position

- 4 Remove the roll holder from the paper roll compartment using both hands.
- 5 Press the green knob inside the roll holder to release the locking mechanism and remove the core from the holder.
Note: You can place the new roll in the groove on top of the manual feed of the printer. See the arrow on picture 91 on page 188.
- 6 Slide the roll holder in the new roll of material while you press the green knob.
- 7 Align the roll with the correct size indicator on the roll holder and release the locking mechanism.
- 8 Use both hands to place the holder in the roll loader (see Figure 94).
- 9 Put the holder back in the roll compartment by returning the roll loader lever to its vertical position.
- 10 Press the correct button inside the paper roll compartment and feed the paper between the input guide plates as indicated by the arrow (see Figure 95). The material is fed into the machine.

Note: Also see the stickers inside the roll compartments on how to feed paper.

Attention: Be careful when you lift the lever to avoid damage to the roll compartment.

- 11 Use both hands to slide the material under the metal paper guide until it makes contact, follow the procedure 'Load paper' on page 188.

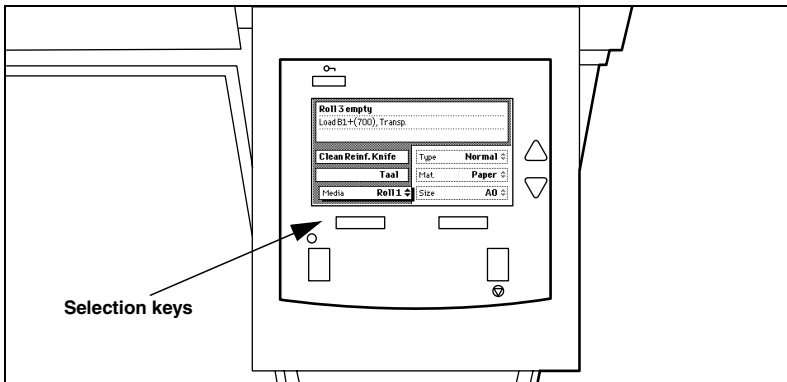


Define the media type

- 1 Press the 'On-line' key on the printer operator panel to put the printer Off-line. The message 'Off-line' is displayed in the status window.
- 2 Press the left selection key to shift the focus to the media selection.
- 3 Use the arrow keys to select roll 1, to 6 (see Figure 97).
- 4 Press the right selection key to select the setting you want to define.
- 5 Use the arrow keys to define the settings.

Note: *The system detects the media size. Media sizes of both the DIN and ANSI paper series are available. Use the Arrow buttons to select either a DIN or ANSI format.*

- 6 Put the printer On-line again by pressing the 'On-line' key.



[97] To set the correct media

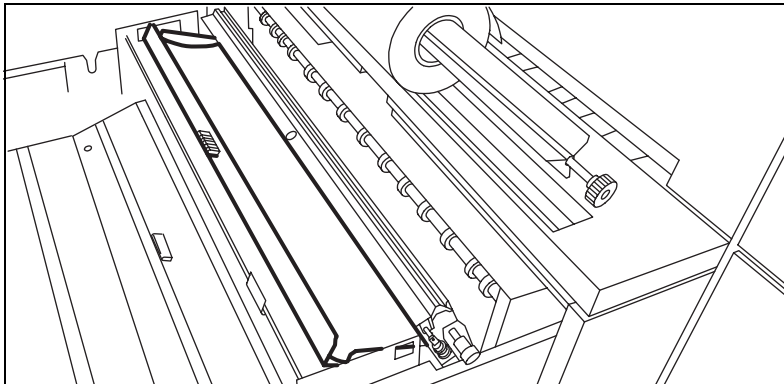
- 7 When you are ready, you can continue your job.

Clear the chip tray

If the chip tray is full, you must clear the paper chips.

▼ **How to clear the chip tray**

- 1 Open the upper paper roll compartment.
- 2 Take out the chips (see Figure 98).



[98] The chip tray

- 3 Close the paper roll compartment.

Add the toner

If the toner is empty the display shows: 'Out of toner' (see Figure 99). You can add toner even while you print a job. You can finish your current job.

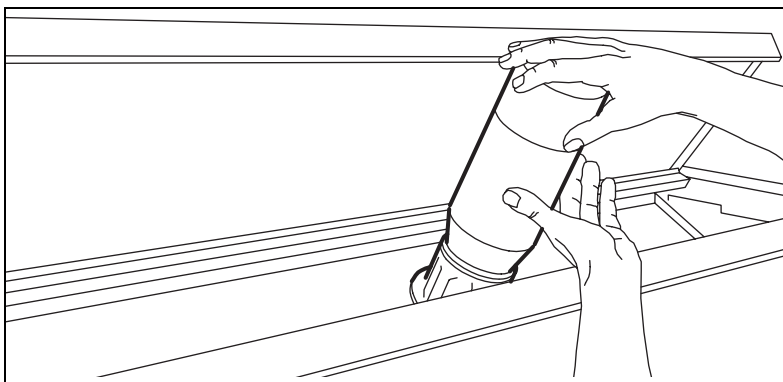
Note: *If you do not add toner in time, the system will stop.*

Out of toner
Fill E1 toner
Press "on line"

Text **Picture**
[99] 'Out of toner' message

▼ How to add toner

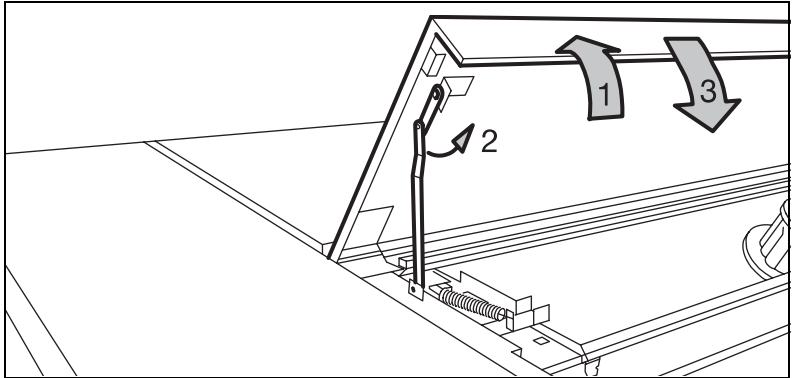
- 1 Shake the toner bottle.
- 2 Loosen the cap.
- 3 Open the front top cover.
Note: *Only use E1 toner.*
- 4 Open the toner refill opening.
Note: *Do not remove the seal of the bottle opening.*
- 5 Put the bottle with the ridge into the notch of the fill opening and push it down (see Figure 100).



[100] Put the toner bottle into the fill opening

The seal at the bottle opening is cut at the opening of the toner reservoir, allowing the toner to get out of the wide bottle.

- 6 Hit the bottom of the bottle.
- Note:** *Just add one bottle at a time.*
- 7 When the bottle is empty, remove the bottle.
- 8 Close the fill opening
- 9 Lift top cover and pull the hinge towards you to close the top cover (see Figure 101).



[101] Close the top cover

- 10 Fasten the cap on the empty toner bottle. The Océ service engineer takes the empty toner bottles with him at the next visit.

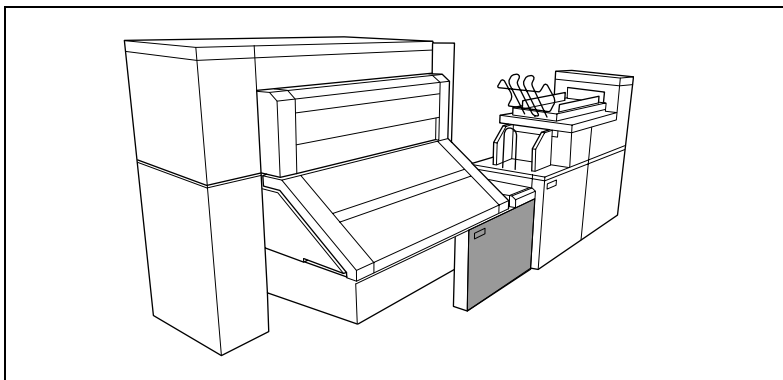
Attention: *If you have spilled some toner, (see ‘Safety data sheet Océ EI toner’ on page 263) for information about disposal and cleaning.*

Change the tape roll in the reinforcement unit

When the tape roll of the reinforcement unit is empty while the printer is in sleep mode, one of these messages appear on the display:

- 'Reinforcing not possible: out of tape' for copy jobs.
- 'Load reinforcement tape' for print jobs.
- 'No tape in reinforcement unit' for copy and print jobs while the printer was running when the roll ran out of tape.

When a tape roll is empty while the printer runs, this message has a picture of the printer and the side door of the Reinforcement Unit flashes (see Figure 102).

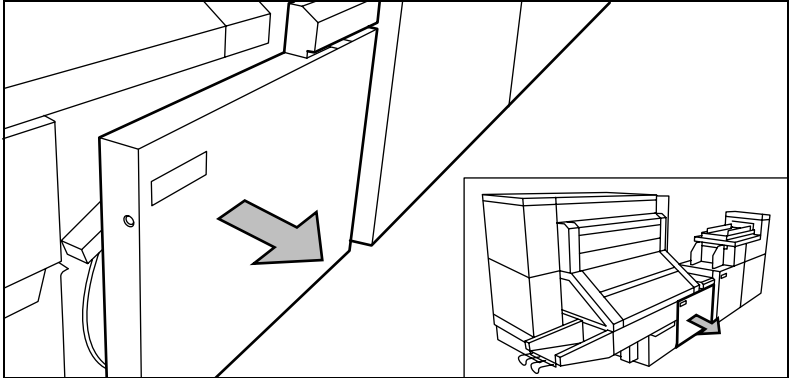


[102] No tape in reinforcement unit



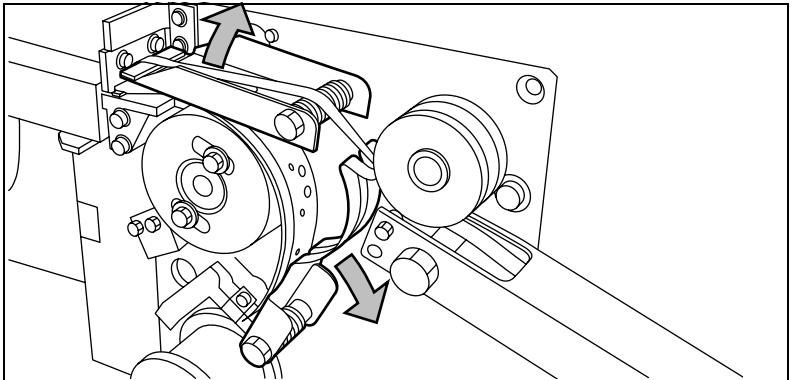
How to remove an empty tape roll

- 1 Open the side door of the reinforcement unit (see Figure 103).



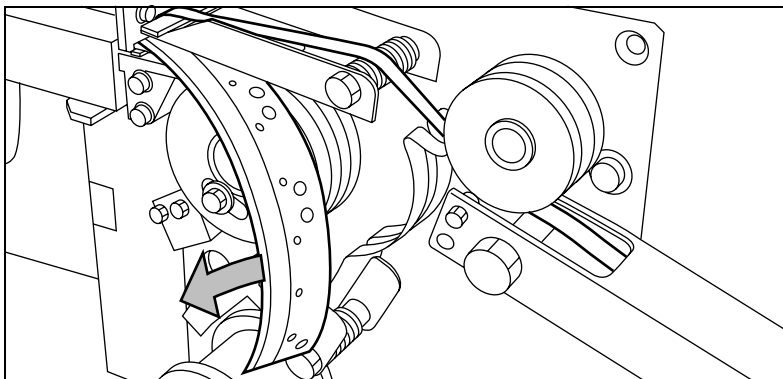
[103] Open the side door off the reinforcement unit

- 2 Turn the two guide plates away from the pin roller into their fixed opened position (see Figure 104).



[104] Open the guide plate

- 3 Remove the trailing strip of the old tape (see Figure 105).



[105] Remove the trailing strip of the old tape.

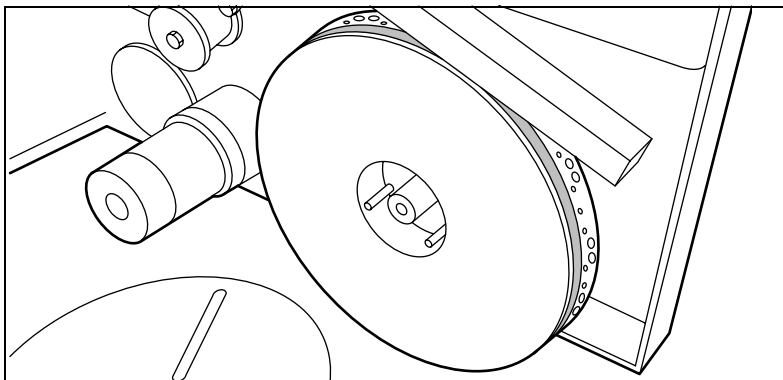
- 4 Remove the screw of the front side plate of the roll holder with the green nut and remove the old kernel.

Note: Clean the reinforcement knives before you put in a new roll



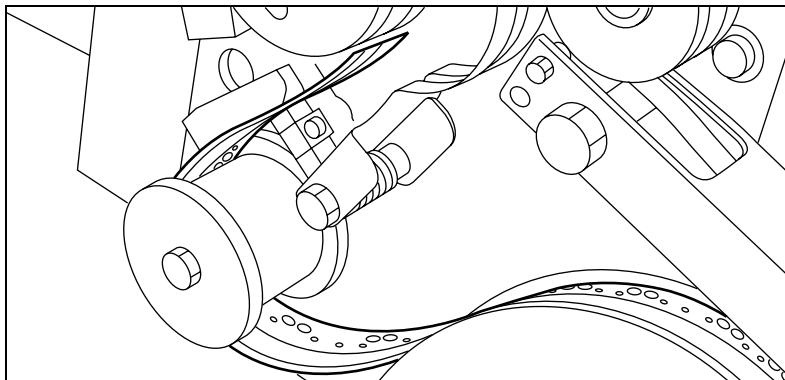
How to insert a new tape roll

- 1 Put the new roll and close the side plate. Put the roll with the holes to the back and the protection sheet to the front (see Figure 106).



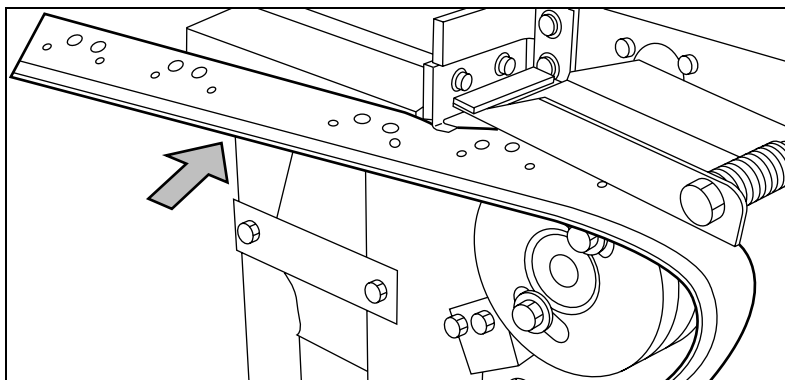
[106] Put the new roll

- 2** Release the end of the roll and lead the tape over the large guide roller (see Figure 107).



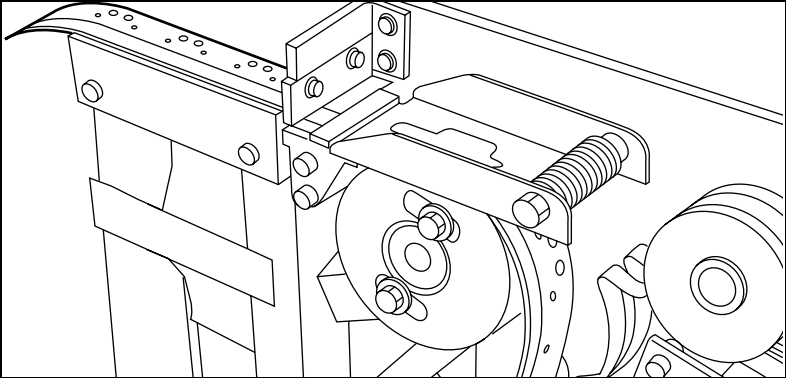
[107] Guide the tape around the guide roller

- 3** Lead the tape between the upper and lower knife and over the pin roller (see Figure 108).



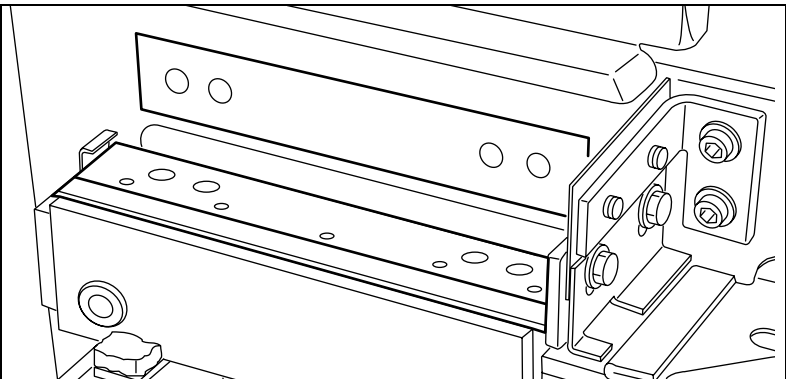
[108] Lead the tape between upper and lower knife

Note: Make sure at least 200mm (2 strip lengths) of tape is past the knife section (see Figure 109)



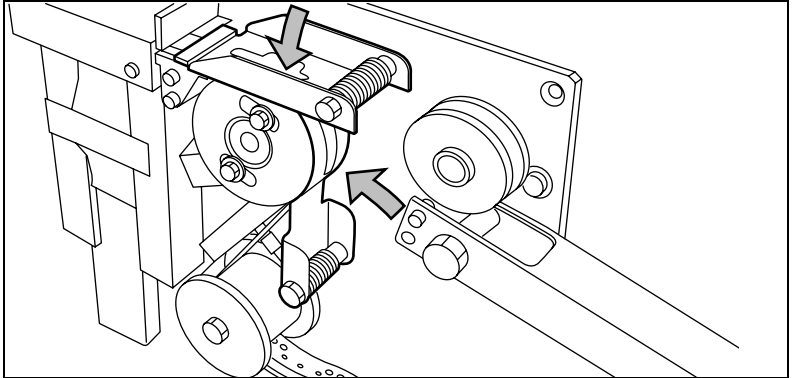
[109] tape past the knife section

- 4 Align the holes in the tape to the hole pattern on the label on the frame plate of the reinforcement unit (see Figure 110). If the alignment is not correct, lift the tape from the pin roller and push the tape between the two knives until the holes are aligned.



[110] Adjust the holes on the tape

5 Close the guide plates of the pin roller (see Figure 111)

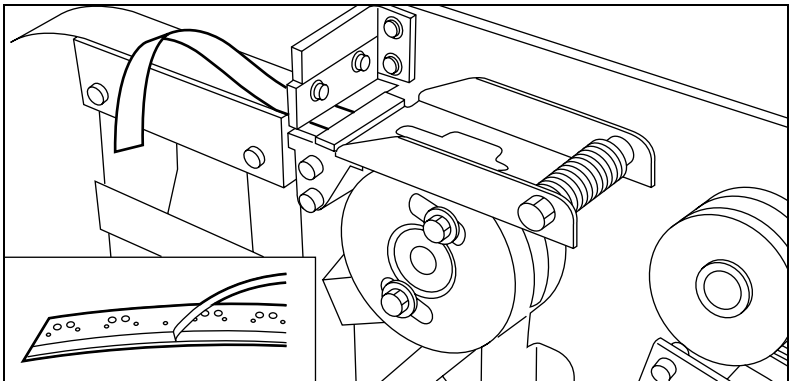


[111] Close the guide plates



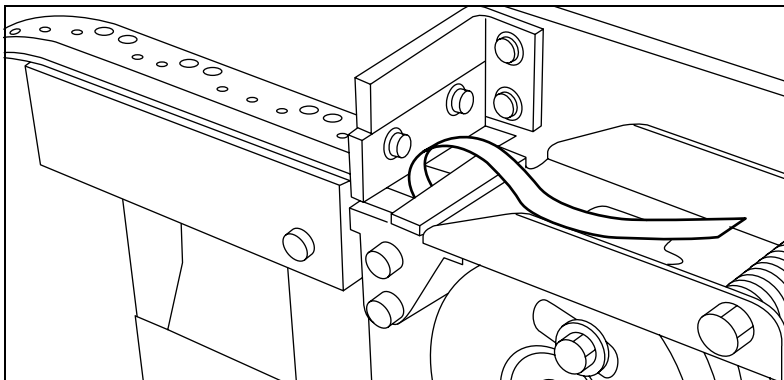
How to prepare the tape roll for operation

1 Peel the protection sheet off the tape (see Figure 112).



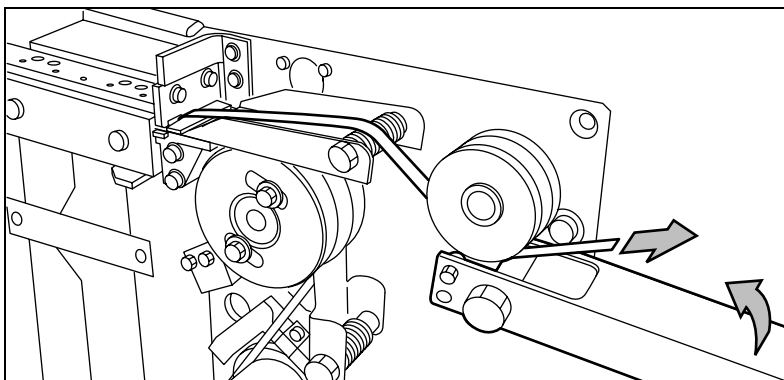
[112] Peel off the protection sheet

- 2** Lead the protection sheet back between the upper and lower knife (see Figure 113).



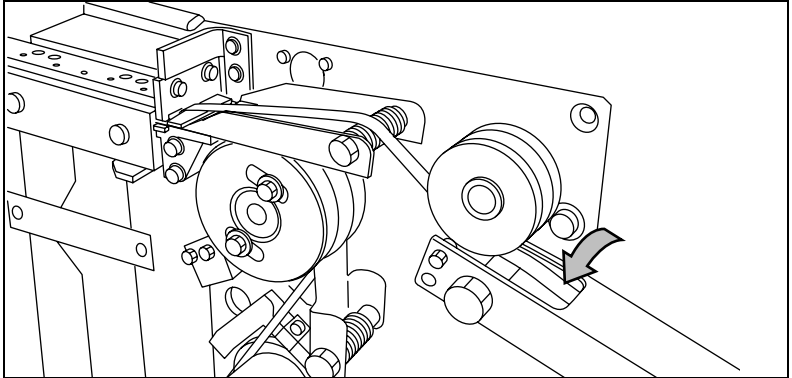
[113] Lead the protection sheet between upper and lower knife

- 3** Lift the guide and lead the protection sheet between the protection sheet rollers, pulling the protection sheet tight (see Figure 114).



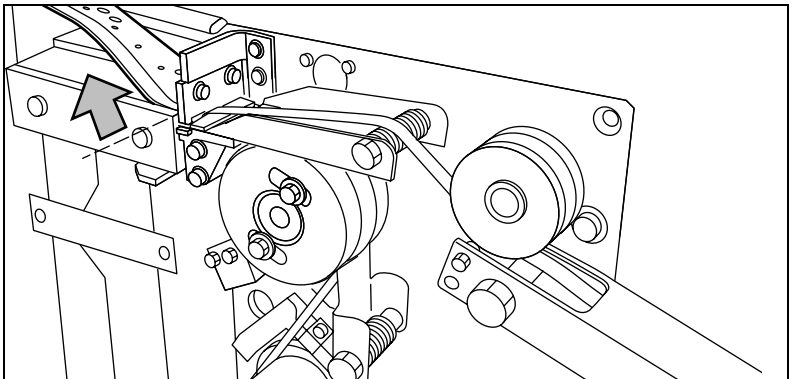
[114] Lead the protection sheet between the rollers

- 4 Insert the leading strip of the tape into the closed section of the slide (see Figure 115).



[115] Insert the tape into the closed section of the slide

- 5 Hold the upper guide plate down and cut the tape at the knife section and pull the strip up so that the tape is cut by the upper knife. (see Figure 116).



[116] Cut the tape at the knife section

- 6 Close the side door of the reinforcement unit.

Chapter 13

Maintenance

This chapter describes:

- *The maintenance of the reference roller*
- *The maintenance of the reinforcement unit*



Clean the reference roller

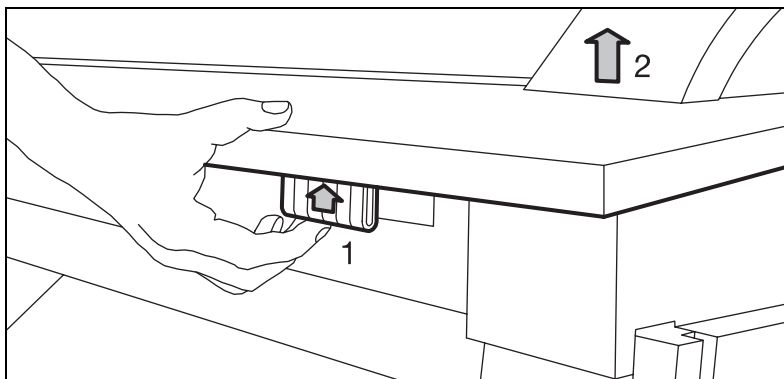
If the reference roller is dirty or static, you must clean the reference roller.

Attention: *When you clean the reference roller, be careful not to damage the sensors on the scanner.*

▼ How to clean the reference roller

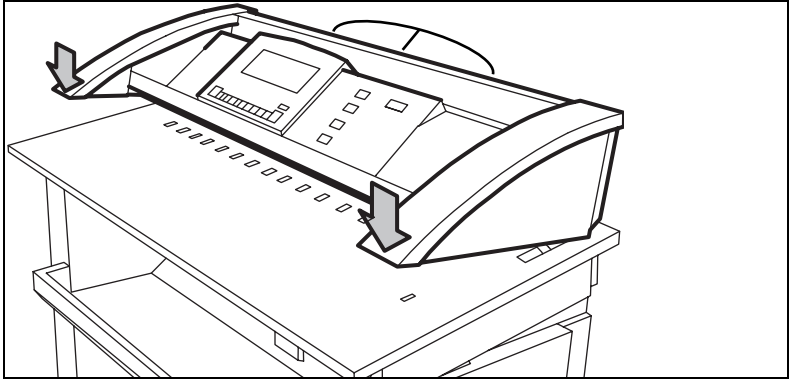
- 1 Turn off the scanner.
- 2 Press the grip at the right hand side, below the original feed table, to open the top cover of the scanner (see Figure 117).

Note: *Make sure that you hold the top cover of the scanner.*



[117] Open the top cover of the scanner

- 3 Clean the white reference roller over its entire circumference with a soft cloth with a small quantity of Cleaner A.
For safety information see 'Safety data sheets' on page 260.
- 4 Press at the left and right side of the scanner to close the top cover of the scanner (see Figure 118).



[118] Close the top cover of the scanner

- 5 Turn on the scanner.

Maintenance of the Reinforcement Unit

The maintenance for the Reinforcement Unit contains:

- Clear the waste box
- Clean the reinforcement knives

Attention: *Only use the original Reinforcement Strips from Océ, to prevent the damage to the Reinforcement Unit.*

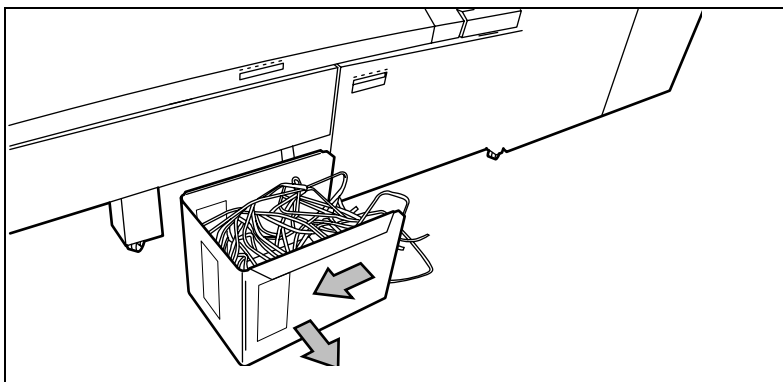
Clear the waste box

If a reinforcement unit is installed, the protective sheet from the reinforcement tape is stored in a waste box.

Note: *You can clear the waste box while you print.*

▼ **How to clear the waste box**

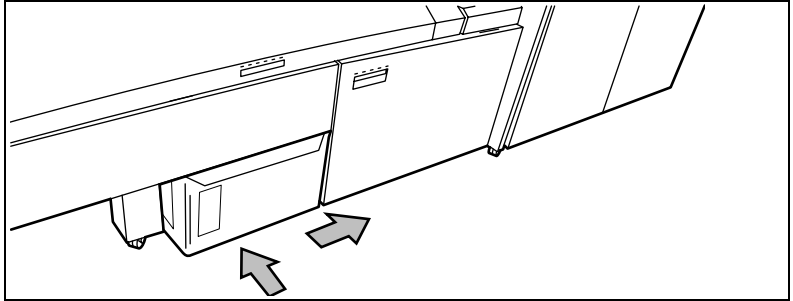
- 1 Pull the waste box to the left hand side and towards you to open the waste box (see Figure 119).



[119] Open the waste box

- 2 Clear the box.

- 3 Push the waste box forward and push it to the right hand side to close the waste box (see Figure 120).



[120] Close the waste box

Clean the reinforcement knives

The knives of the reinforcement unit get sticky from the glue on the reinforcement tape. Clean the knives when you insert a new tape roll (see 'Change the tape roll in the reinforcement unit' on page 196) or when an error in the Reinforcement Unit occurred.

Put the knives into a position so that you have access to all parts.

Attention: To avoid damage to the Reinforcement Unit, only use the original Cleaner K and Fixing Unit Cleaning Oil (silicon oil) from Océ.

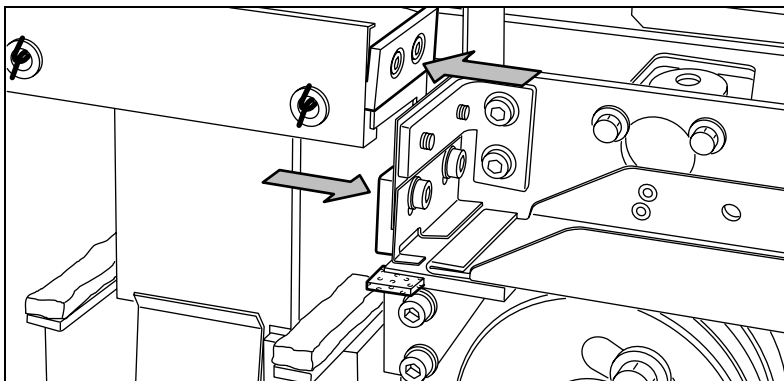
▼ **How to clean the reinforcement knives**

- 1 Press the on-line key on the printer operator panel to put the printer off-line. The message 'Off line' is displayed in the status window.
- 2 Press the left selection key to shift the focus to 'Clean reinf. knife'. A shadow effect is used to indicate that the focus is set to this menu.
- 3 Select the right selection key 'Clean'. The reinforcement knives are placed in the correct position.
- 4 The machine stops and the yellow indicator on the printer goes ON.
- 5 A picture of the printer appears on the display with the side door of the reinforcement unit flashes.
- 6 To see the text, press the 'text' key.

Note: When a job is running, the message 'Job interrupted' appears. The machine stops running after it has correctly finished the prints that were already in the printer.

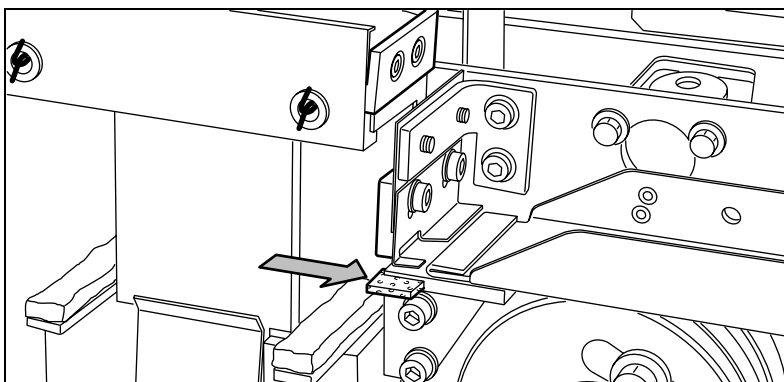
- 7 Open the side door of the reinforcement unit (E).

- 8 Clean the upper and lower knife with Cleaner K (see Figure 121).



[121] Clean the upper and lower knife

- 9 Oil the felt with Fixing Unit Cleaning Oil (silicon oil).



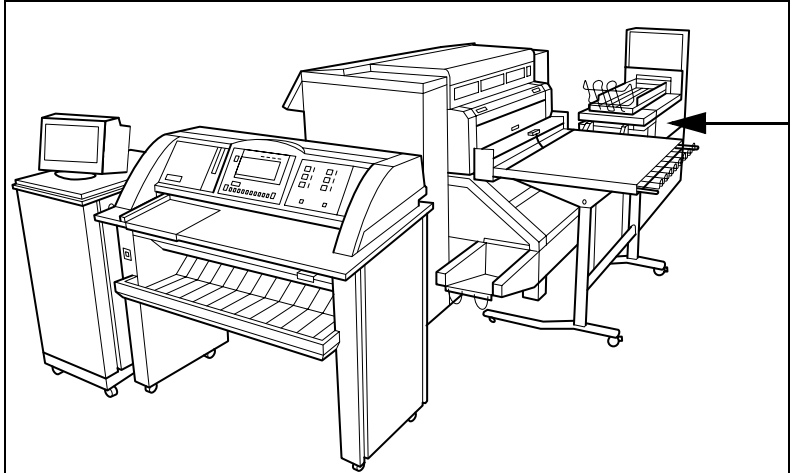
[122] Oil the felt

- 10 Close the side door of the reinforcement unit.
The knives are placed back in its home position. The picture on the display disappears. The message 'Press start to resume job' or 'Ready to print' appears depending if a job was interrupted to clean the knives.
- 11 The yellow indicator goes OFF.

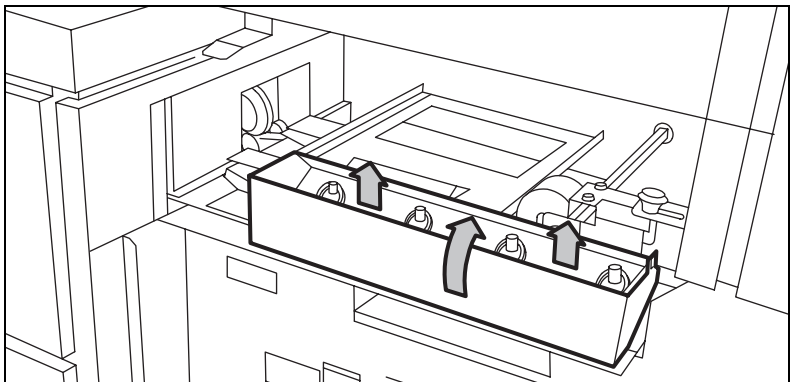


Empty the waste basket

- 1 Open the front door of the folder (see Figure 123).
- 2 Lift the waste tray to remove the tray (see Figure 124).
- 3 Empty the waste basket.
- 4 Put the waste basket back in it's original position. Make sure you feel the magnetic click.



[123] Open the front door of the folder



[124] Remove the waste tray

- 1 Remove the waste tray
- 2 Put it back. Use the magnetic force to put it back.

Chapter 14

Problem solving

This chapter describes how to solve problems which can occur when you use the Océ TDS800.



Introduction

Problems that can occur include

- Original jams.
- Paper jams,
- Problems with the Reinforcement Unit,
- Problems which you can correct if you follow the instructions on the display,
- Other problems.

When an error occurs, the display informs you about:

- What is the problem,
- Where the problem occurred,
- How to correct the problem.

Normally the paper moves through the system without problems. On the graphic display a cover or door indicates in which part of the system the paper has stopped.

Stickers on some parts of the system indicate which green handles, green knobs, green bars and covers, etc. you have to lift, press or open to remove any jammed paper.

The display guides you through a sequence of steps to correct the problem. If a jam occurs in more than one location, the display will continue to instruct you until all jammed paper has been removed.

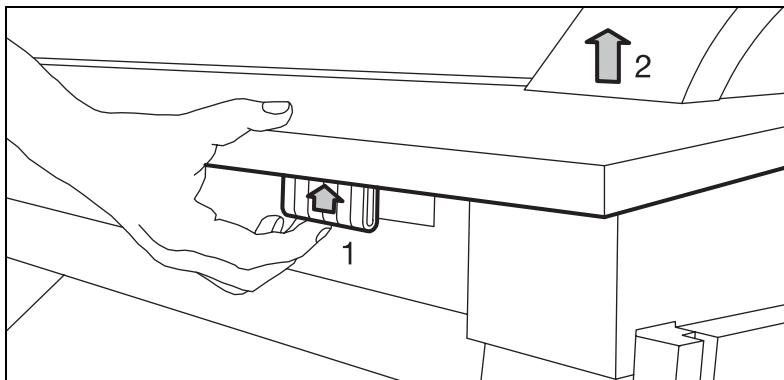
After you corrected the error, the display gives you instructions on how to continue the job.

How to clear original jams

When you scan and an original jams, the message 'Original jam' appears on the scanner display. You must remove the original from the scanner.

▼ Remove a jammed original

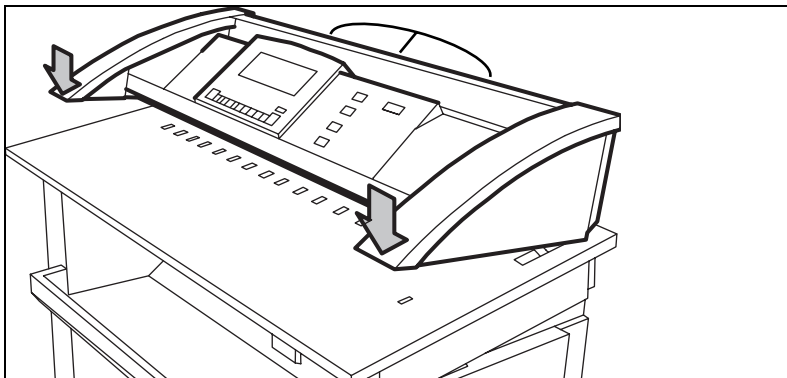
- 1 Press the handle under the original feed table to open the top cover of the scanner (see Figure 125).



[125] Open the top cover of the scanner

- 2 Remove the original.

- 3 Press the left-hand and right-hand side of the scanner down to close the top cover of the scanner (see Figure 126).



[126] Close the top cover of the scanner

- 4 Make the original smooth and feed the original.

If an original jam occurs often:

- Check if you use the correct type of original.
- Check if you insert the original along the guide.
- Check if the original is damaged before you insert it.

How to clear paper jams

When paper jams, the printing stops and the message 'paper jam' appears in the display. The error location is shown by flashing covers or doors.

When paper jams:

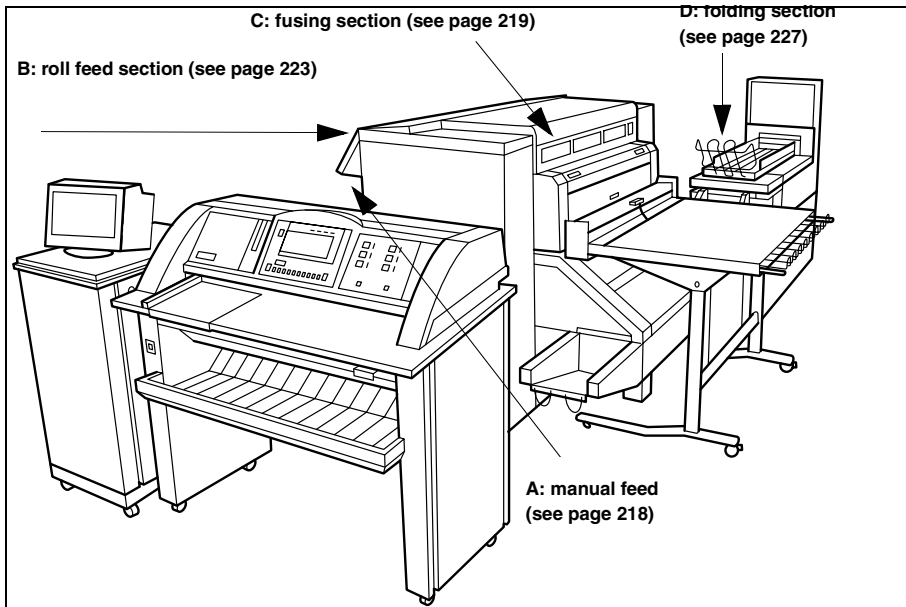
- Follow the instructions on the display
- Leave the main power turn on to prevent the data loss, and correct the paper jam as described in the equivalent chapter.
- Remove all the pieces of paper from the machine.

If a paper jam occurs often, check if:

- The paper is refilled correctly, (see 'Load rolls of media' on page 188).
- The correct paper is used, (see 'Overview of the Océ TDS800 system' on page 242).
- All the pieces of paper are removed from the paper path.

Paper jams can occur in:

- The manual feed
- The fuser section
- The roll feed section
- The folder
- The reinforcement unit



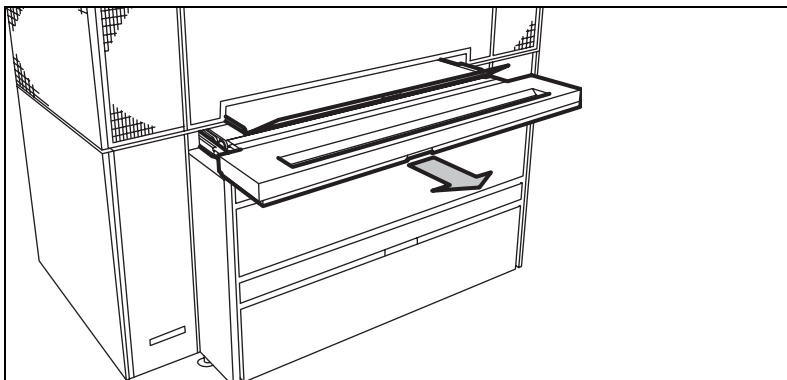
[127] Paper jam section

Paper jam in the manual feed

▼ How to clear a paper jam in the manual feed

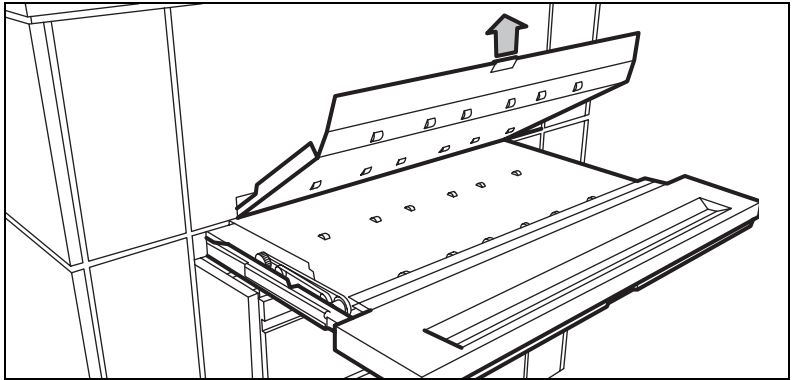
- 1 Pull the manual feed table toward you to open (see Figure 128).

Note: Make sure that you open the manual feed table complete.



[128] Open the manual feed table

- 2 Lift the green lever to open the plate.



[129] Remove the paper

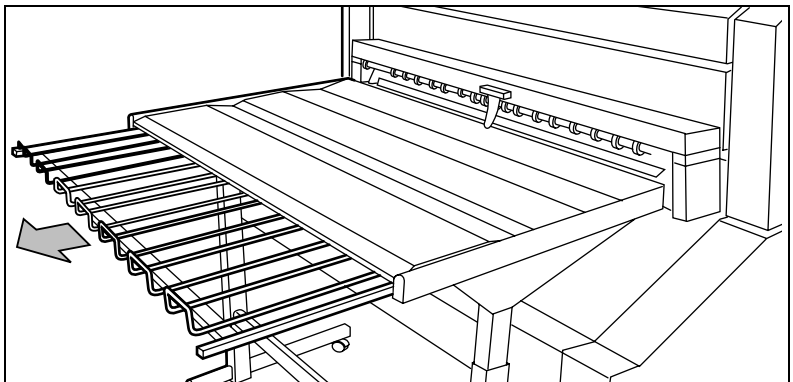
- 3 Remove all the paper.
- 4 Lower the plate.
- 5 Push the manual feed table back in the original position.

Paper jam in the fuser section

▼ How to clear a paper jam in the fuser section

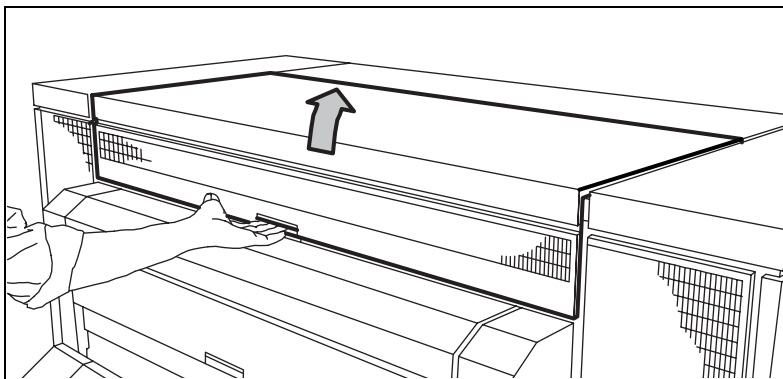
Caution: When you remove the paper in the fuser section, always wear the heat-resistant gloves. The heat-resistant gloves are in the left hand cover of the paper output unit.

- 1 Remove the output delivery tray (see Figure 130).



[130] The output delivery tray

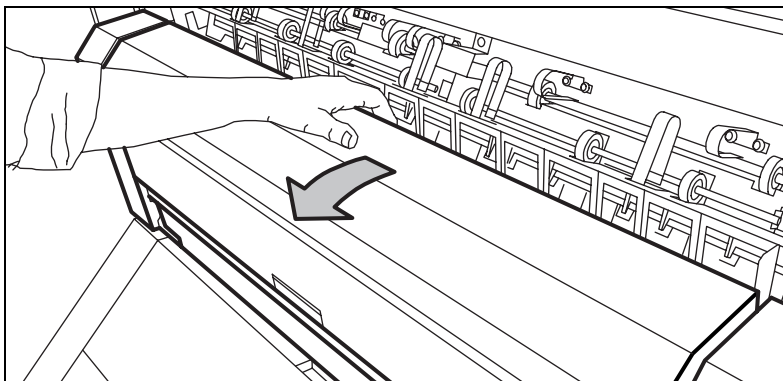
- 2 Open the top cover at the rear side (see Figure 131).



[131] The top cover at the rear side

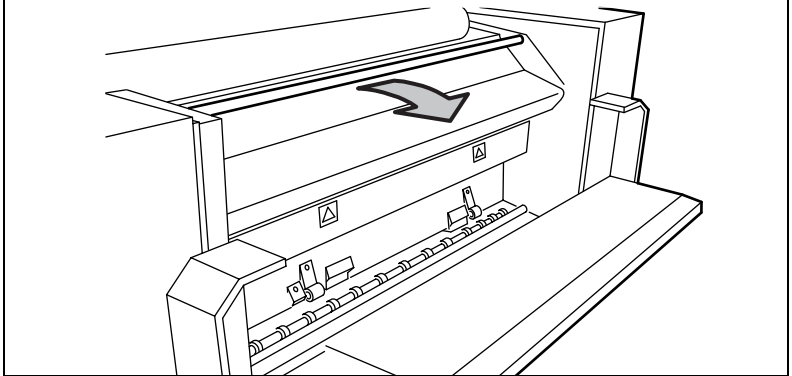
- 3 Pull the green lever toward you to open the output transport unit (see Figure 132).

Note: *If you can not open the transport unit, you have to cut the paper and remove the paper.*



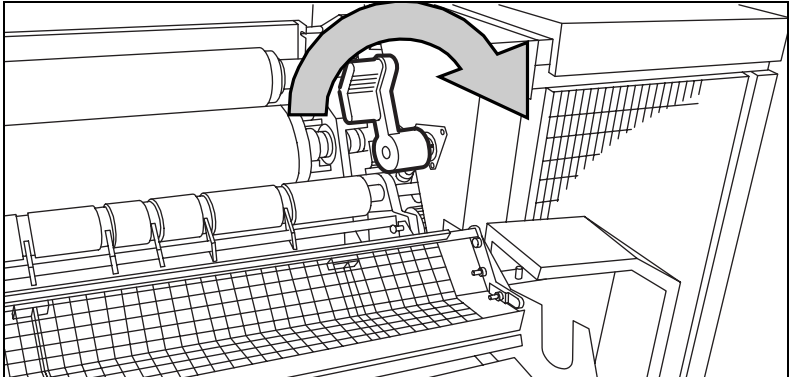
[132] The lower cover

- 4 Pull the green bar of the fuser section toward you to open the fuser section.(see Figure 133)



[133] The bar of the fuser section

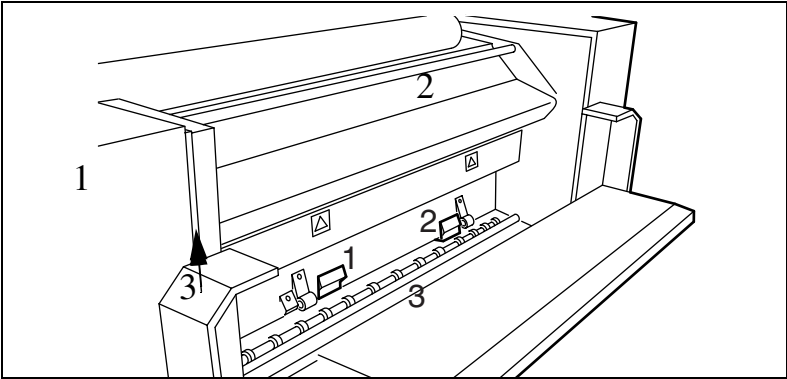
- 5 Take the crank found on the right hand cover of the paper output unit.
- 6 Insert the crank in the slot and turn to the right. The paper is delivered from the paper output unit.



[134] The crank

- 7 If the paper keeps coming, it is not cut and you have to cut it manually.
- 8 Cut the paper and turn the crank to the right to deliver the paper.
- 9 Remove the crank and return it to its original position.
- 10 Pull the handle 1 towards you to open the pre-heater section (see Figure 135 on page 222).
- 11 Pull the green handle 2 toward you and release handle 1 (see Figure 135 on page 222).

- 12 Pull the green bar 3 toward you (see Figure 135).



[135] The pre-heater section

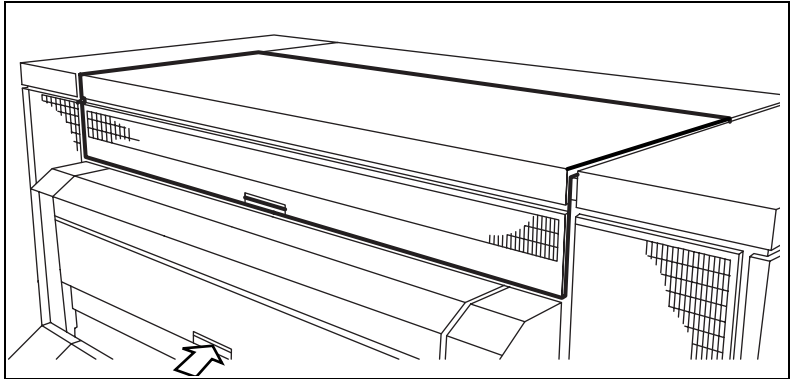
Close as follows:

- 13 Push the bar 3 back.
- 14 Press the handle 1 downwards.
- 15 Press the handle 2 back.
- 16 Close the bar of the fuser section.
- 17 Close the lower cover of the output unit.

Caution: *Do not hold your hand between the green lever and the lower cover when you close the cover. The lever moves toward the cover and can cause personal injury.*

- 18 Unlock the green bar and close the top cover.

If you can not correct the problem, you can open the output transport unit and remove the paper (see Figure 136 on page 223). If the fuser-section covers remain to flash on the display, check the fuser section again.



[136] Open the transport output unit

Paper jam in the paper roll compartments

▼ How to clear a paper jam in the paper roll compartments

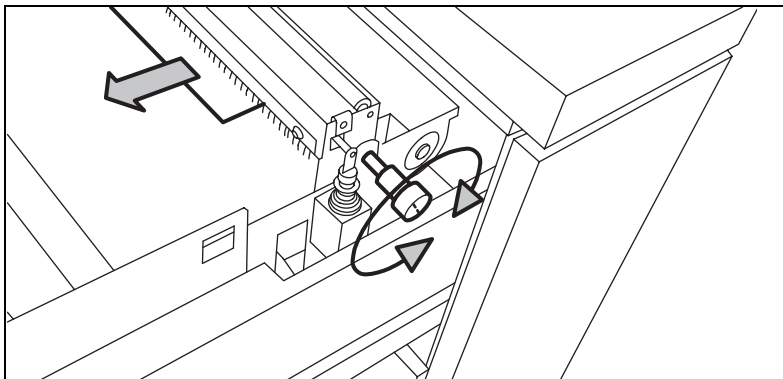
Note: Make sure that you corrected all the problems in the fuser section, before you correct the problem in the roll feed section.

- 1 Completely open the correct paper roll compartment.
- 2 Remove any jammed paper:
 - Behind the chip tray
 - Underneath the plate
 - Underneath the roll 2, the roll 4 or the roll 6 feed plate
- 3 Reload the roll if necessary.
- 4 Close the paper roll compartment.

Paper jam behind the chip tray

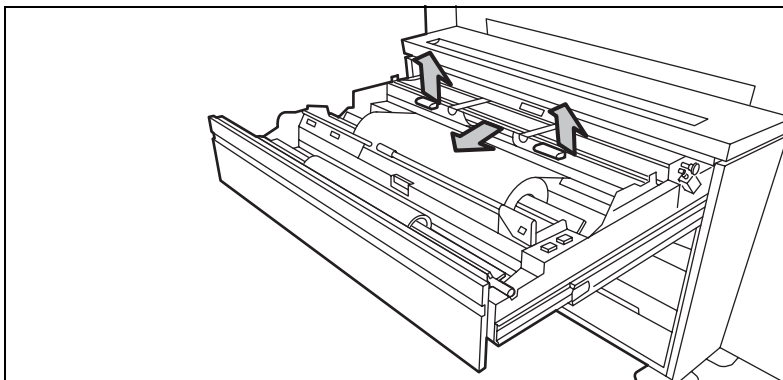
▼ How to remove the paper behind the chip tray

- 1 Turn the green knob of the chip tray (upper compartment) or the vertical transport unit (lower compartment) (see Figure 137).



[137] Knob of the chip tray or vertical transport unit

- 2 Remove all the pieces of material.
or,
- 3 Lift the chip tray and pull the tray toward you to open the tray (see Figure 138).



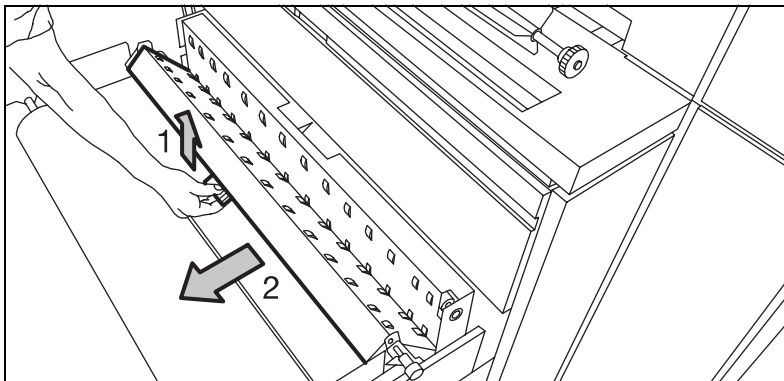
[138] Open the chip tray

- 4 Remove all the pieces of material.
- 5 Push the chip tray in its original position.

Paper jam in the vertical transport unit

▼ **How to remove the paper in vertical transport unit**

- 1 Open the vertical transport in the lower and middle paper roll compartment (see Figure 139).



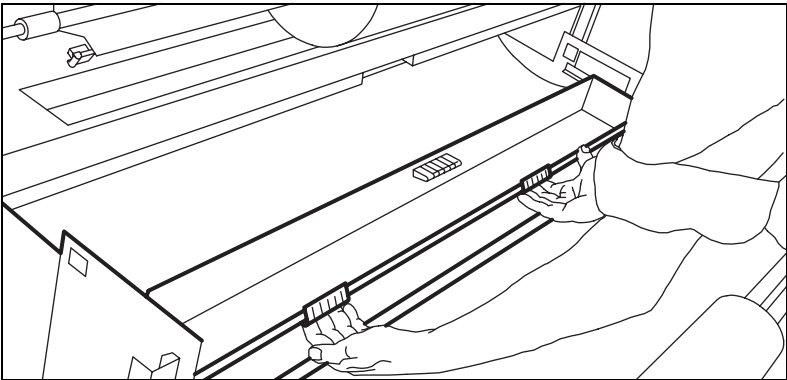
[139] The vertical transport in the lower and middle compartment

- 2 Turn the green knob to remove all the pieces of material in the vertical transport unit.
- 3 Close the vertical transport.

Paper jam underneath the roll 1, roll 3 and roll 5 triangular feed unit

▼ How to remove paper underneath the roll 1, roll 3 and roll 5 triangular feed unit

- 1 Remove roll 1 (upper compartment) or roll 3 (middle compartment) or roll 5 in the lower compartment.
- 2 Pull the feed unit underneath the roll holder toward you to remove the unit (see Figure 140).



[140] The triangular feed unit

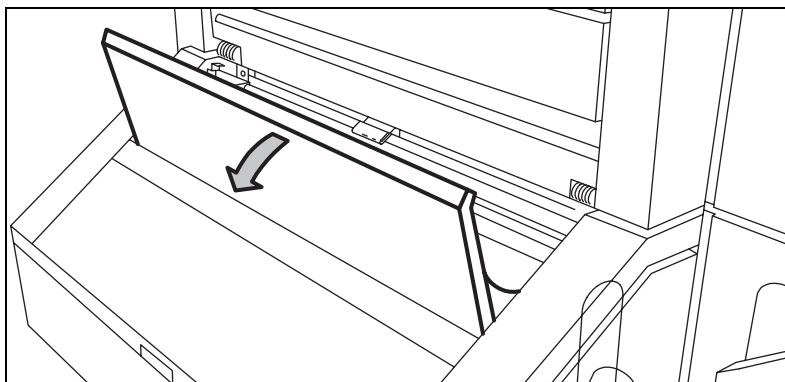
- 3 Remove all the pieces of material.
- 4 Return the triangular feed unit correctly.
- 5 Close the paper compartment.

Note: *If the covers continue to flash on the operator panel, check the roll feed section again.*

Paper jam in the first fold section of the folder

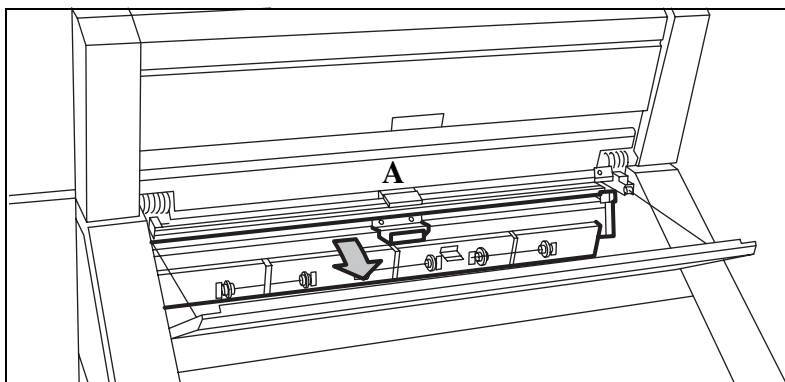
▼ How to clear a paper jam in the first fold section of the folder

- 1 Open the cover of the first fold section (see Figure 141).



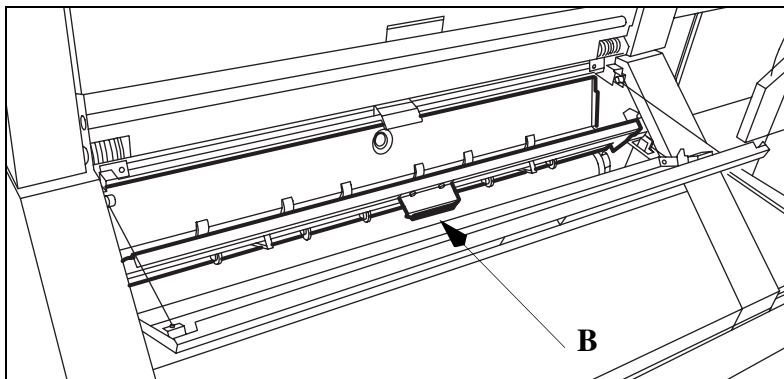
[141] The cover of the first fold section

- 2 Pull the green lever of the guide plate (A) to the first fold section to open the first fold section (see Figure 142).



[142] The guide plate A of the first fold section

- 3 Remove all the pieces of material.
- 4 Open the next guide plate (B) (see Figure 143).

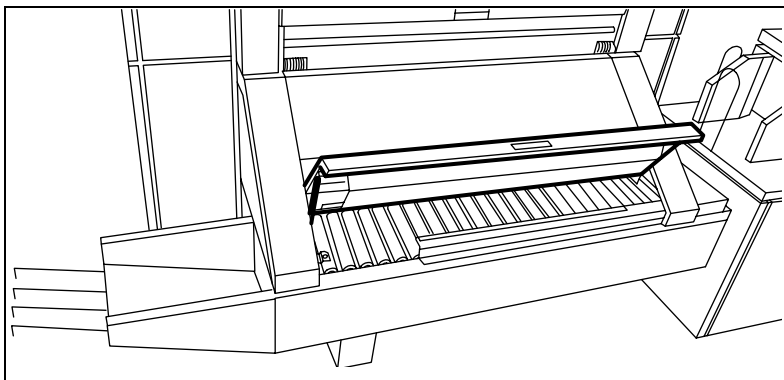


[143] Open guide plate B

- 5 Remove all the pieces of material.
- 6 Close the guide plate B.
- 7 Lock the guide plate A to the first fold section with the green lever.
- 8 Close the cover of the first fold section.

▼ **How to clear a paper jam in the folder transport section**

- 1 Open the cover of the transport section to the first fold delivery at the left side (see Figure 144).



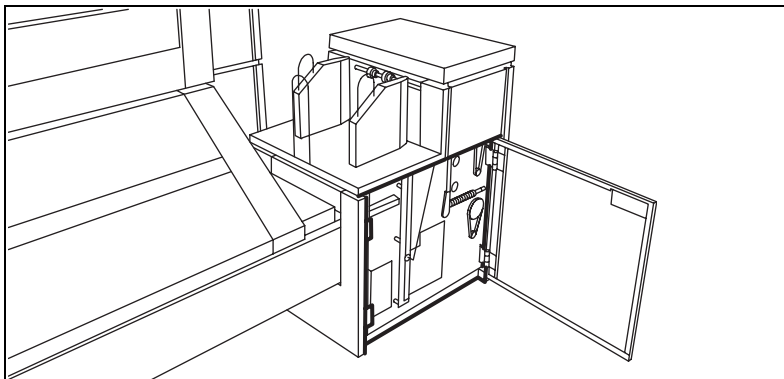
[144] The cover of the transport section to the first fold delivery

- 2 Remove all the pieces of material.
- 3 Close the cover of the transport section.



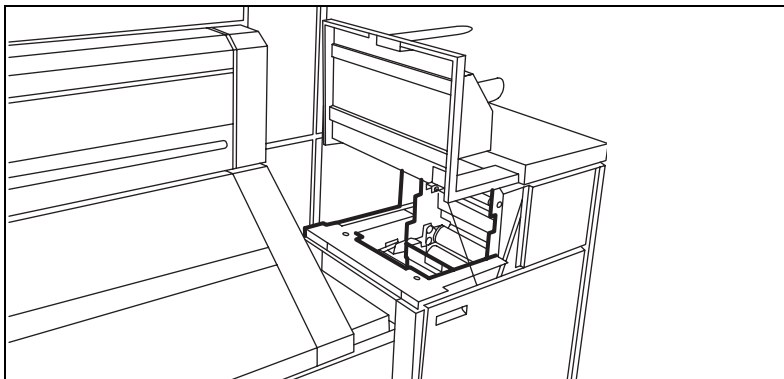
How to clear a paper jam in the second fold section

- 1 Open the front door of the second fold section (see Figure 145).



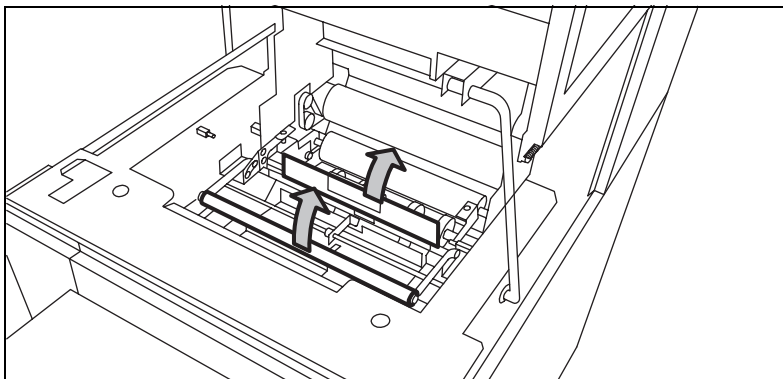
[145] The front door of the second fold section

- 2 Remove all the pieces of material at the bottom of the second fold section.
- 3 Close the front door of the second fold section.
- 4 Open the delivery unit (see Figure 146).



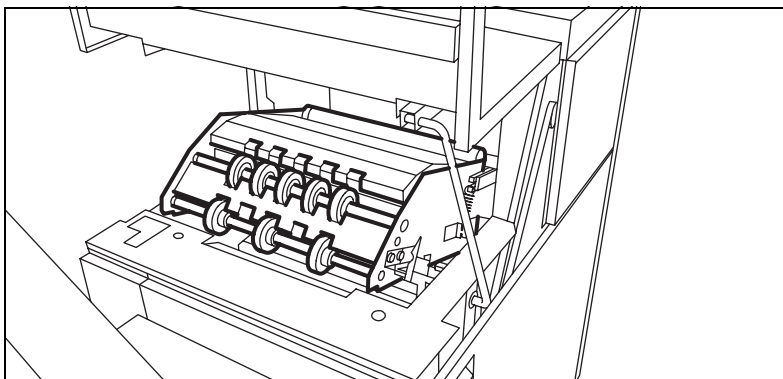
[146] Open the delivery unit

- 5 Open the guide plate with the green lever (see Figure 147).



[147] The guide plate with the green lever

- 6 Remove all the pieces of material.
- 7 Open the vertical transport with the green lever (see Figure 148).



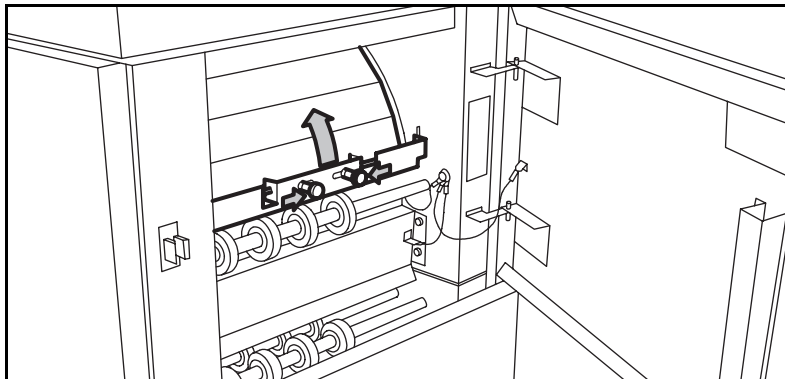
[148] The vertical transport

- 8 Remove all pieces of material.
- 9 Close the vertical transport.
- 10 Close the guide plate.
- 11 Close the delivery unit.

Clear a paper jam in the high capacity output unit of the folder

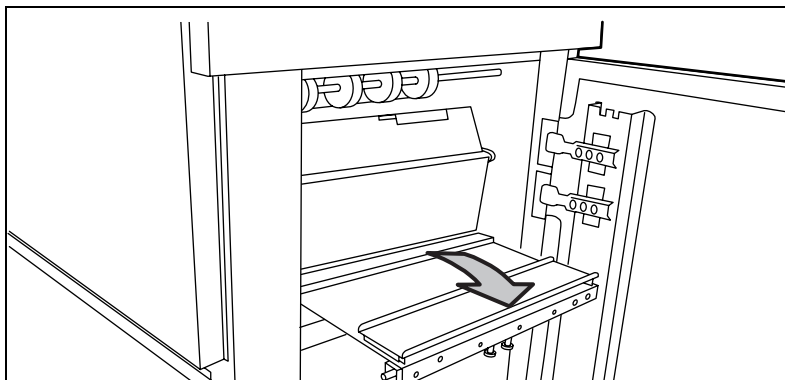
▼ How to clear a jam in the high capacity output unit of the folder

- 1 Open the top and lower door of the output unit.
- 2 Press the two knobs and open the plate (see Figure 149).



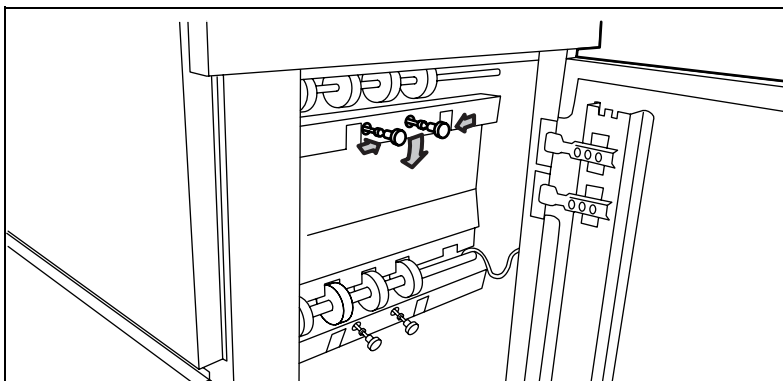
[149] Open the plate

- 3 Remove all pieces of material.
- 4 Fasten the plate.
- 5 Close the top and lower door.
- 6 Open the lower door.
- 7 Press the two knobs of the upper plate and lower the plate (see Figure 150).



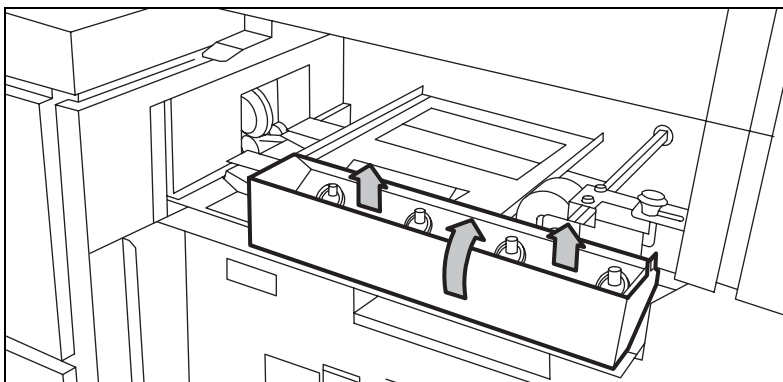
[150] Lower the plate

- 8 Remove all pieces of material.
If it is not possible to remove the jammed media:
- 9 Loosen the nuts and remove the plate



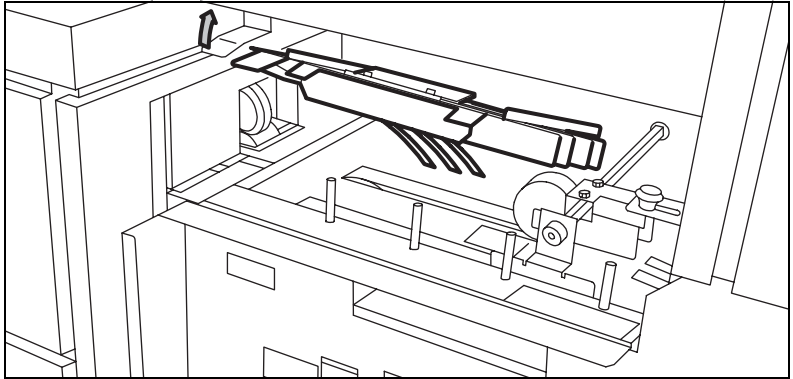
[151] Loosen the nuts and remove the plate

- 10 Remove all pieces of material.
- 11 Replace the plate and tighten the nuts.
- 12 Close the lower door.
- 13 Open the front door.
- 14 Lift the waste tray to remove the tray (see Figure 152).



[152] Remove the waste tray

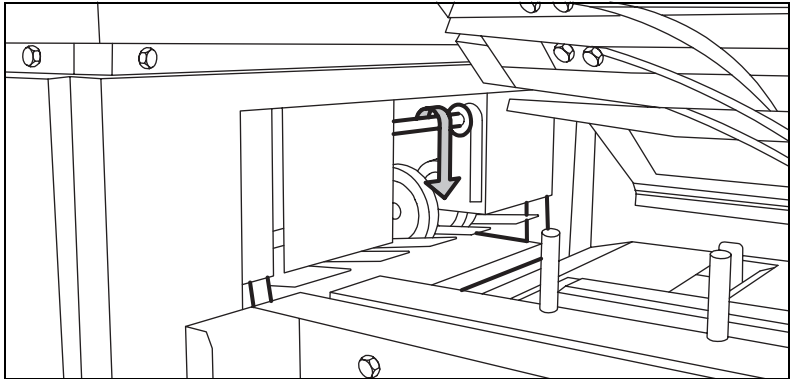
15 Lift the next plate (see Figure 153).



[153] Lift the plate

16 Remove all pieces of material.

17 Open the cover behind the delivery tray for the second fold (see Figure 154).



[154] Open the cover behind the delivery tray for the 2nd fold

18 Remove all pieces of material.

19 Close the cover, lower the plate and position the waste tray.

20 Close the front door.

Problems with the Reinforcement Unit

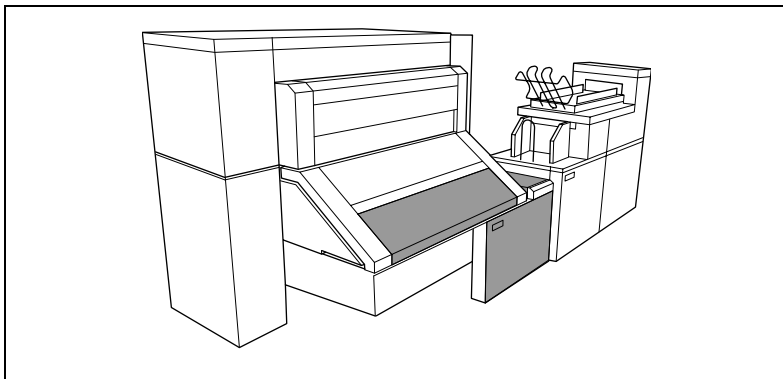
If a Reinforcement Unit is installed, the following errors can occur:

- Paper jams
- Tape jams
- No reinforcement strips on the output

This section explains how you can correct these errors.

Clear paper jams in the Reinforcement Unit

When a paper error occurs, the following message appears: 'Paper jam'. A picture of the printer appears on the display with three doors that flash (see Figure 155).

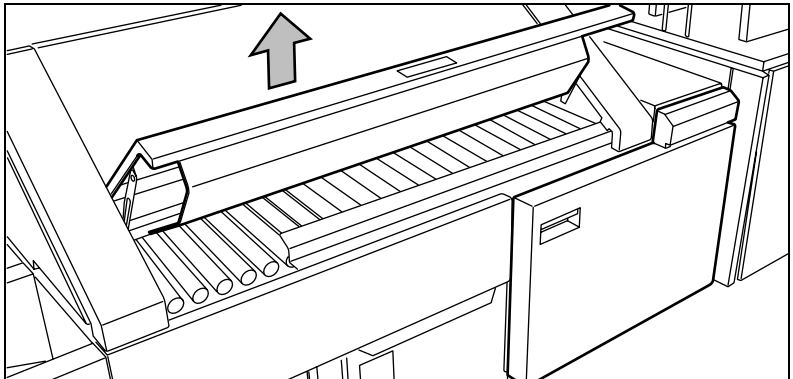


[155] Example of a paper jam



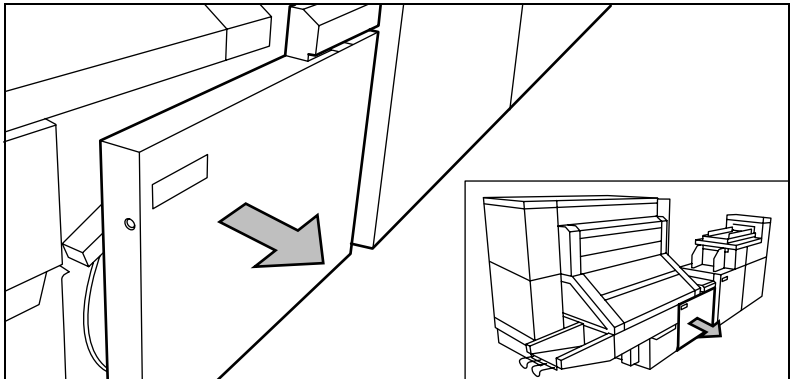
How to clear a paper jam

- 1 Open the cover of the transport to the First Fold delivery and remove all paper inside the first fold delivery (see Figure 156).



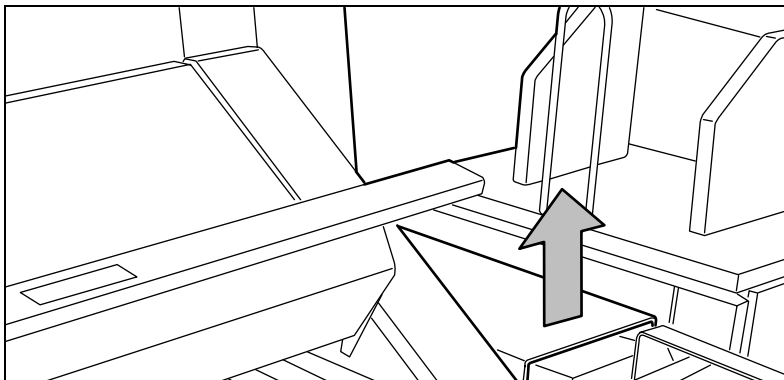
[156] The cover of the folder transport section

- 2 Close the cover of the folder transport section.
- 3 Open the front door of the Reinforcement Unit (see Figure 157).



[157] The front door of the Reinforcement Unit

- 4 Open the top cover of the Reinforcement Unit and remove all pieces of material inside the unit (see Figure 158).



[158] The top cover of the reinforcement unit

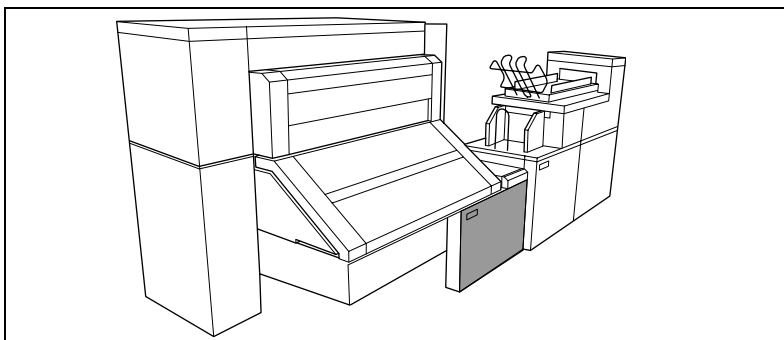
- 5 Close the top cover and the front door of the Reinforcement Unit.

Clear tape jams in the Reinforcement Unit

When a tape jam occurs one of the following messages appears on the display:

- 'Reinforcing not possible: tape jam' for copy jobs
- 'Re-feed reinforcement tape' for print jobs.
- 'Tape jammed in reinforcement unit' for print and copy jobs while the printer was running.

When a tape jam occurs while the printer runs, the message has a picture of the printer. The picture shows that the side door of the Reinforcement Unit flashes (see Figure 159).

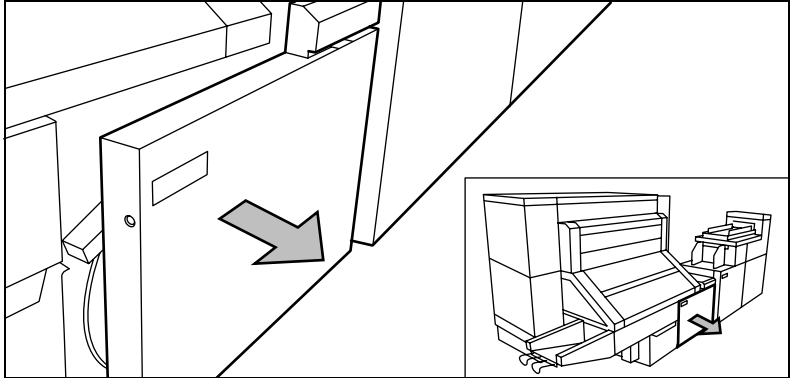


[159] Tape jam in reinforcement unit



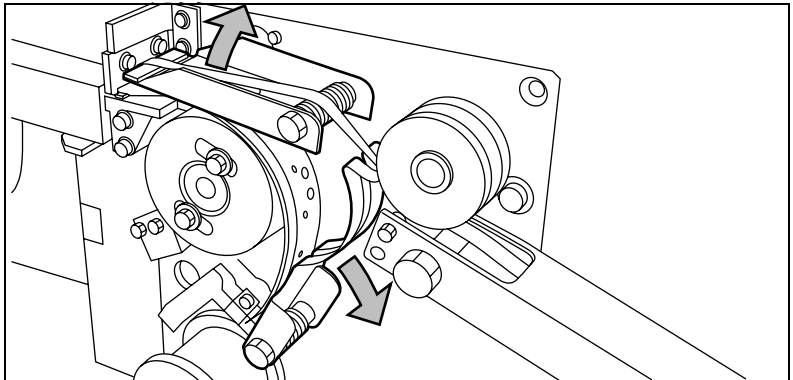
How to clear a tape jam

- 1 Open the front door of the Reinforcement Unit (see Figure 160).



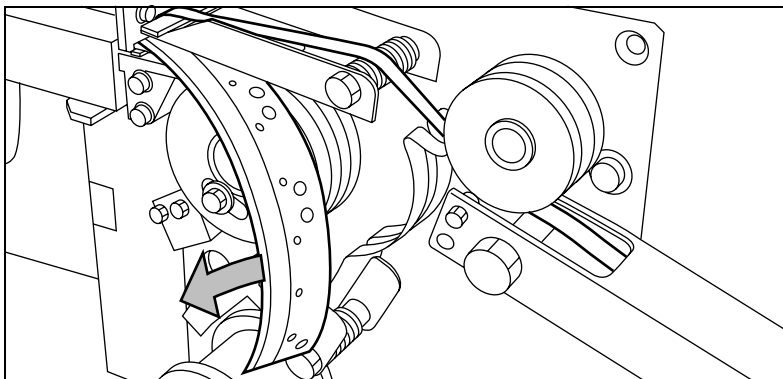
[160] Open the front door of the reinforcement unit

- 2 Turn the two guide plates away from the pin roller into their locked opened position (see Figure 161).



[161] The two guide plates

- 3 Remove all tape between the rollers and knives (see Figure 162).



[162] Remove the tape

- 4 Insert a new trailing strip of tape between the rollers and the knives. For complete information refer to 'Change the tape roll in the reinforcement unit' on page 196.

No reinforcement strips on the output without an error message

This error occurs when there are no reinforcement strips on the output although reinforcement is selected. This can happen when the file header (Remote Control Format or Océ Job Ticket) contains instructions to have no reinforcement.

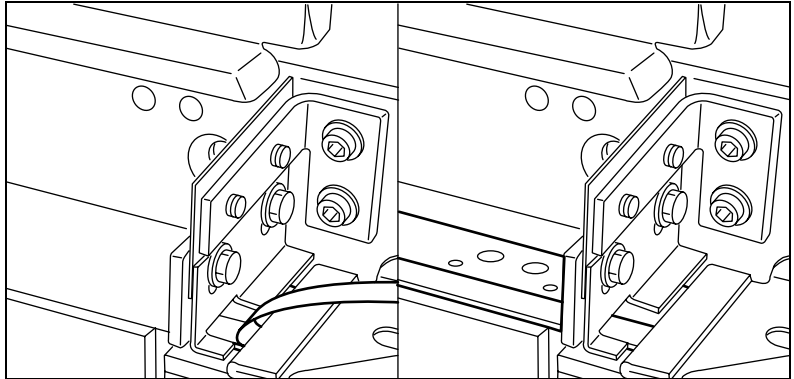
Note: *If you want to process A4 formats, reinforcement can be disabled for this format.*



To solve this error

- 1 Press the Stop key on the operator panel twice.
- 2 Open the side door of the Reinforcement unit.

- 3** Check if there are loose reinforcement strips in the unit with the protection sheet still on(see Figure 163).



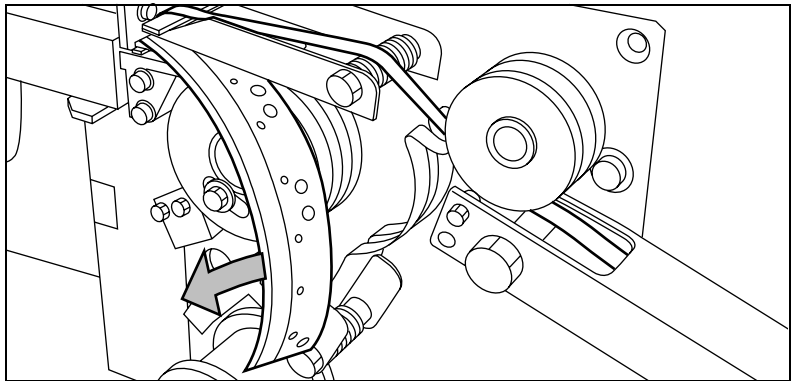
[163] Situation A: No mechanical error

Situation B: Mechanical error

- 4** If yes, remove the tape strips in the Reinforcement Unit.

If the protection sheet is not on the reinforcement strip (see situation A in figure 204), there is no mechanical error and you should insert a new tape roll as described in 'Inserting a new tape roll' on page 143. If this error frequently occurs you should call the Océ service organisation (see 'Other problems (call service)' on page 184).

- 5** Remove all tape between the rollers and knives (see Figure 164)



[164] Remove the tape

- 6** Wire a new trailing strip of tape between the rollers and the knives 'Change the tape roll in the reinforcement unit' on page 196.

Other problems

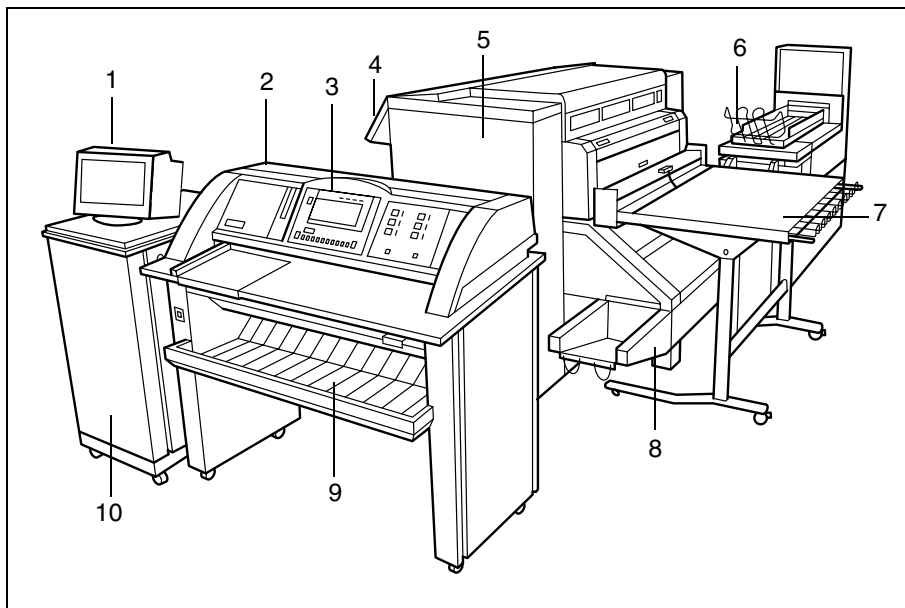
If you have a problem that you can not correct, call the Océ service organisation. In this case turn off the system with the main switch and leave the system as it is.

Appendix A

Overview and tables



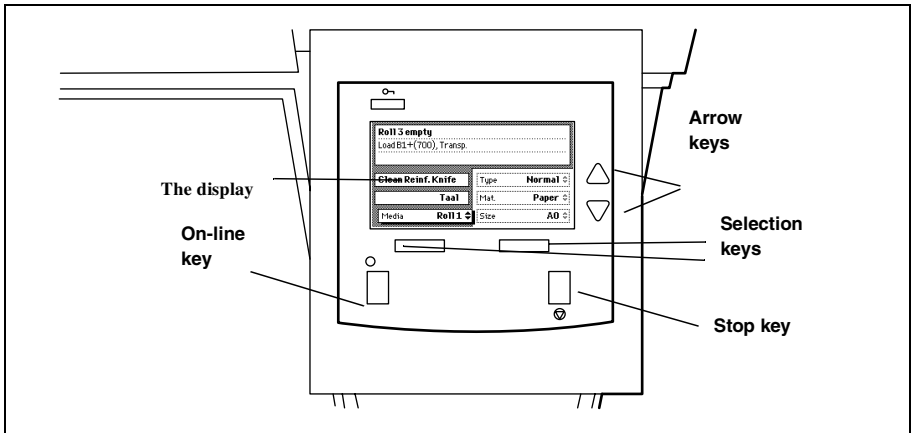
Overview of the Océ TDS800 system



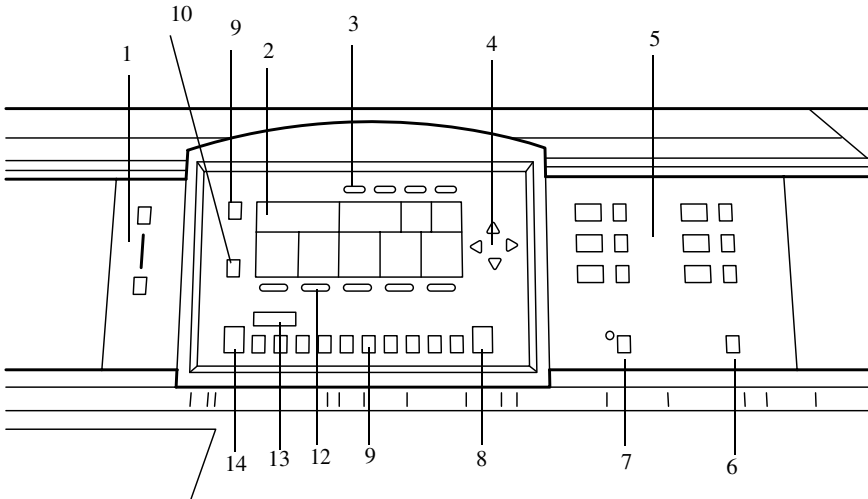
[165] The Océ TDS800 system

- 1 The monitor
- 2 The scanner
- 3 The scanner operator panel
- 4 The printer operator panel
- 5 The printer
- 6 The folder and stacker unit
- 7 The output delivery tray
- 8 The first fold unit
- 9 The original delivery tray
- 10 The controller cabinet

Printer operator panel



Scanner operator panel



- 1 The Exposure control
- 2 The display
- 3 The Section keys
- 4 The Arrow keys
- 5 The Media selection keys
- 6 The Manual feed key
- 7 The Auto roll key
- 8 The Correction key
- 9 The Stop key
- 10 The Job interrupt key
- 11 The numeric keys
- 12 The Function keys
- 13 The numeric display
- 14 The Start key

Product specifications Océ TDS800

The Océ TDS800 is a wide format, black and white, high volume multifunctional system. The Océ TDS800 offers a broad range of print, copy, and scan-to-file function.

Printer	
Technology	Océ Copy Press with organic photoconductor and LED exposure
Resolution	400 dpi
Speed	13 meters p/min. or approx. 10 A0 /min.
Media sources	6 rolls (maximum capacity 200 m per roll). Manual sheet feed from A4 to 36". Roll widths 297 mm - 914 mm
Output sizes	DIN and ANSI formats from A4 to A0 and 36", up to 200 meters long.
Media types	Plain, transparent, fluorescent and colored papers; films and vellums
Output reception	Output Delivery Tray (ODT) for 150 prints
Warm-up time	17 minutes
Electrical requirements	50 Hz / 230 V 3φ: 16/12/11 A 50 Hz / 400V 3φ: 11/6/7 A 50 Hz / 415V 3φ: 11/6/6 A 50 Hz / 200V 3φ: 17/12/12 A 60 Hz / 240 V 21 A 60 Hz / 200 V 3φ: 18/13/12 A 60 Hz / 208 V 3φ: 17/12/12 A 60Hz / 220 V 3φ: 17/12/11 A 60 Hz / 240 V 3φ: 15/12/9 A 60 Hz / 380 V 3φN: 11/6/6 A 60 Hz / 415 V 3φN: 12/6/6 A
Dimensions Printer	1720 mm (W) x 1146 mm (H) x 1400 mm (D)
Weight	939 kg

Printer (continued)	
Safety approvals	TüV GS, CETECOM, CE, UL, (c)UL, CB, FCC Class B
Function	<p>Multiple prints: up to 999</p> <p>Automatic Language Sensing (ALS)</p> <p>Auto roll selection and switching</p> <p>Print manipulation: auto-positioning, rotation, auto-scaling</p> <p>File spooling on the controller</p> <p>Set memory: send once, process once, print many; capacity to store up to 250 AOs and create identical sets sorted by page or by set</p> <p>Concurrent receiving, processing, printing, and finishing of digital jobs</p> <p>Sophisticated local and remote user communication system with:</p> <p>Océ Queue Manager application: view status for each job and cancel, hold and restart the entire job. Inbox and history functionality.</p> <p>Océ System Control Panel application: view status and settings of system components</p> <p>Océ Settings Editor application: customise system settings</p>

Océ Power Logic® Controller	
Platform	Océ Power Logic® Controller with embedded Windows XP®
Memory	512 MByte RAM standard
Disk space	High-speed hard disk dedicated to file spooling. High-speed hard disk dedicated to set memory offering at least 250 A0 storage capacity.
File formats	HPGL, HPGL2, HPRTL, TIFF 6.0, CALS type 1, NIRS, EDMICS (C4), CalComp 906/907/951, Adobe® PostScript® 3™
Interfaces	Standard: Ethernet 10/100 Mbits/s with RJ45 Optional: Token Ring 4/16 Mbits/s.
Network protocols	TCP/IP, Novell (IPX, SPX)
Account logging (optional)	Records print, copy, and scan-to-file jobs by user and account number. Information stored in a (ASCII or UTF-16) file for later re-use
Job templates (optional)	Gives direct access to five different sets of settings on the scanner operator panel.

Océ Remote Logic® Applications	
Model	Local and remote user communication system
Applications	Océ Settings Editor: customise system settings Océ Queue Manager: view and edit status for each job, history queue, inbox queue. Océ System Control Panel: view status and settings of system components
Supported platforms	Windows® 95/98/2000, NT4.0® and XP. Apple Macintosh® OS, Unix (including Linux, HP-UX 10.20 and 11.00, and IBM AIX)

Scanner	
Model	Free-standing console Optional: Original delivery tray
Technology	CCD, Océ Image Logic® real-time image processing hardware
Speed	10 linear metres per minute or approximately 8A0s per minute
Original feed	Face up, left aligned Automatic feed off/on

Scanner (continued)	
Originals	Automatic original size detection Width A4 to 36" Length up to 15 m
Maximum thickness	1 mm
Exposure control	Automatic, manual fine adjustment <i>Special modes:</i> Lines & Text (default), Photo, Greys & lines, Dark Original, Blueprint, Cut & Paste
Media selection	Manual or automatic, based on original size (autodetect) and zoom factor. Auto format detection of ISO and ANSI standard sizes.
Reproduction scale	Zoom: 25% - 400% (adjustable in 1% and 0.1% steps) 8 programmable fixed steps Auto zoom to paper size
Input mode	Single sheet Set (sets processing/set collation) Multiple sheets
Function	Concurrent scanning and printing Multi-copy mode: 1-999 copies (scan once print many) Pre-programming of next job Programmable default settings Programmable custom card Automatic roll selection Automatic reduction/enlargement Standard cut, synchro cut and custom cut modes Leading and trailing strip adjustment (up to +/- 400 mm) Two languages available
Image editing	Image align: Horizontal left, middle, right Image align: Vertical top, middle, bottom Image shift: horizontal/vertical up to +400 mm Image mirroring
Noise level	65 dB (A) operating, <45 dB (A) in stand-by
Electrical requirements	50 Hz / 100 V 2,5 A 50 Hz / 230 V 1 A 60 Hz / 100 V 2,5 A 60 Hz / 120 V 2 A 60 Hz / 230V 1 A
Dimensions	1320 mm (W) x 640 mm (D) x 1235 mm (H)
Weight	166 kg

Océ Scan Logic® (optional)	
Applications	Océ Scan Manager®, integrated scanning solution

platform	Océ Power Logic® Controller with embedded Windows XP®
Scan destinations	10 programmable destinations Scan to controller Scan to network directory File Transfer Protocol (FTP)
Resolution	200, 300, 400 dpi
Data formats	Tiff (G3, G4, uncompressed, tiled, stripped, raw) with optimization to filesize or quality CALs type 1 Optional: Adobe® PostScript® 3™/PDF (G4, uncompressed). 5 additional Japanese fonts for Adobe® PostScript® 3™ are available as an option.
Scan modes	Single scan, stream feed productive batch scanning
File naming	Automatically generate unique file names for each scan. Determine file name before scanning.
Check print	Single / multiple check prints
Viewing	View scans at point of scanning
Océ Image Logic®	Optimum scan quality with six special original modes. “Right first time” productive scanning for larger volumes.
Ease of use	Scan to file from scanner panel, scan directly to destination
Options	Océ View Station: Edit and enhancement software Océ Batch Processor: Automated editing software

Océ Matrix Logic® (optional)	
Applications	Océ Matrix Logic®, integrated Matrix Copy solution
Platform	Océ Power Logic® Controller with embedded Windows XP®
Function	Allows you to form in one single operation different copy sets from one set of originals

Drivers and job submission software	
Océ HDI driver	For AutoCAD® 2000 Windows® 95/98/2000, NT 4.0® and XP
Océ Windows driver	Windows® 95/98/2000, NT 4.0® and XP
PostScript Level 3 drivers	For Windows® 95/98/2000, NT 4.0® and XP Macintosh® OS 7.x/8.x
Océ Print Exec® LT	Single seat job submission software for Windows® 95/98/2000, NT 4.0®, XP and Millennium
Océ Print Exec® Workgroup	Multi-seat job submission and back channel communication software using standard web browsers: Internet Explorer® 4.02 SP2 or higher and Netscape® 4.08 or higher
Océ Repro Desk	A print management solution for the reprographer and their clients.

Optional: Integrated Folder and reinforcement unit	
Folding methods	Standard (DIN), Ericsson, Afnor-like Fan fold or fan fold & cross fold Length: 276 - 310 mm Width: 186 -230 mm Binding strip: 15 -30 mm
Paper size	Width: 279 -914 mm Length: 210 -2,500 mm 210 - 2,500 mm for fan fold and cross fold at 75 grams, up to 6000 mm fan fold only at 75 grams
First fold exit	Extra bin for fanfold
Noise level	< 67 dB(A) operating; 0 dB(A) stand-by
Dimensions	2430 mm (W) x 1560 mm (D) x 1400 mm (H) (excluding reinforcement unit including printer) 2560 mm (W) x 1560 mm (H) x 1400 mm (D) (including reinforcement unit and printer)

Optional: Integrated Folder and reinforcement unit (continued)

Weight	124 kg unpacked excluding reinforcement unit 154 unpacked including reinforcement unit
Optionals	Reinforcement unit Punch unit 2 Belt delivery trays for 340 A0

Optional: Original / Output delivery tray

Model	Wheeled delivery tray with blower unit
Capacity	Up to 200 prints or originals (media type dependent)
Electrical requirements	100-120 / 200-230V, 0.3A, 50/60Hz
Types of media	Plain paper, transparent paper, film, vellum and polyester
Dimensions	1160 mm (W) x 1880-1340 mm (H) x 1020 mm (D)
Weight	44 kg

Optional: Delivery Belt Unit

Single belt unit	Delivery belt with offset stacking Belt capacity: approximately 170 folded A0s at 75 g/m ²
Optionals	Second delivery belt Belt capacity: 170 folded A0s at 75 g/m ² Punching unit Europe (2 or 4 holes) Punching unit USA (3 holes)
Mains supply	From printer
Dimensions	Required floor space: 1730 mm x 1700mm
Weight	125 kg (one belt unit without puncher) 40 kg (second belt) 10 kg (puncher)

List of available material types and sizes

Océ machines and materials are matched for optimal quality and performance. It is therefore recommended to use only approved Océ materials in the Océ TDS800.

A full list of Océ materials suited for use in the Océ TDS800, including plain paper, transparent paper, colored papers and various polyester films is available from your Océ representative.

Material types The following material types are available for the Océ TDS800:

Overview of print material that can be used		
Plain paper	60 to 110 g/m ²	
Transparent paper	80 to 110 g/m ²	
Vellum	16 - 20 lbs	
Polyester film	3.5 or 4.5 mil	
Top label ECF	60 g/m ²	
Special	colored paper, etc.	
	Minimum	Maximum
Width	210 mm	914 mm
Length	279 mm	15 m

Material sizes The following material sizes are available for the Océ TDS800:

Overview of material sizes that can be used					
Format	Width	Length	Format	Width	Length
ISO range			ANSI range		
A4 portrait via manual sheet feed	210 mm	297 mm	A portrait	8.5"	11"
A3	297 mm	420 mm	B	11"	17"
A2	420 mm	594 mm	C	17"	22"
A1	594 mm	841 mm	D	22"	34"
A0	841 mm	1,189 mm	E	34"	44"
Format	Width	Length	Format	Width	Length
ANSI PLUS range			Others		
A+ portrait	9"	12"	30"	30"	42"
B+	12"	18"	B1	707 mm	1,000 mm
C+	18"	24"	B1+	700 mm	1,000 mm
D+	24"	36"	B2	500 mm	707 mm
E+	36"	48"	B2+	500 mm	700 mm

Attention: Avoid storing paper in rooms where temperature and humidity are high. Also, avoid dust and direct sunlight. Wrap unused paper in plastic to prevent it absorbing moisture.

Overview of paper series								
Paper series	Formats included							
ANSI Mixed	8.5" - 9"	11" - 12"	17" - 18"	22"	24"	30"	34"	36"
ANSI Small	8.5"	11"	17"	22"	24"	30"	34"	36"
DIN Carto	A4	A3	A2	B2_700	A1	B1_700	A0	36"
DIN	A4	A3	A2	B2_707	A1	B1_707	A0	36"

Reinforcement strips

Information about the different reinforcement strips is available from your Océ representative.

Attention: *Only use the original reinforcement strips from Océ to avoid damage to the reinforcement unit.*

Appendix B

Safety information



Instructions for safe use

Océ designed products have been tested in accordance with the strictest international safety standards. To help assure safe working with these products it is important that you observe the following safety rules:

Maintenance

- Do not remove any screws from fixed panels.
- Do not carry out maintenance activities except for the parts and maintenance materials mentioned in this manual.
- Do not place any liquids on the machine.
- Use maintenance materials or other materials for their original purpose only. Keep maintenance materials away from children.
- Do not mix cleaning fluids or other substances.
- To avoid the risk of introducing hazards, all modifications to Océ equipment are strictly reserved to properly qualified and trained service technicians.

Connection

- Do not move the machine yourself, but contact your Customer Service.
- If for some reason you have to move the machine yourself, please make sure that the mains power point has the right fuse capacity. See the Océ TDS800 safety data sheet in this appendix for information about maximum current.
- Do not bridge any mechanical or electrical circuit breakers.
- Do not use an extension lead to connect the machine.
- It is recommended to connect only those copy-control products (or other products) which meet the national and international product safety and radio frequency interference standards, and to use an attachment cable as specified by Océ.
- This equipment has not been designed for connection to an IT power system. (An IT power system is a voltage network in which the neutral wire is not connected to earth).
- For equipment connected via a wall socket: locate the machine close to a wall socket that is easily accessible.
- For equipment connected via a fixed connection to the electricity grid: the disconnect device in the fixed connection should be easily accessible.

Surroundings

- Do not block the ventilation openings of the machine.
- Ensure that the machine is placed on a level, horizontal surface of sufficient strength. See the Océ TDS800 safety data sheet in this appendix for information about the weight of the equipment.
- Ensure there is sufficient space around the machine. This facilitates reloading materials as well as maintenance.
- Do not place the machine in rooms which are subject to excessive vibration.
- Do not place the machine in rooms which are too small or insufficiently ventilated. See the Océ TDS800 safety data sheet in this appendix for information about space and ventilation requirements.

General

- Always use materials recommended by Océ and developed for this Océ machine. Materials not approved by Océ may result in faults in your machine.
- Do not use the machine when it is emitting unusual sounds. Remove the plug from the power socket or switch off the fixed connection to the electricity grid and contact Customer Service.






Note: *This is a class A product. In a domestic environment this product may cause radio interference in which case the user may be required to take adequate measures*

Safety data sheets

The disclaimer below is valid for all safety data sheets in this manual. For questions about Océ products regarding health, safety and environment, please contact your Océ organisation; you can find the address in the last appendix of this manual.

Disclaimer The safety data sheets in this manual have been compiled to the best of our knowledge as a compact guide to safe handling of this product. We reserve the right to revise safety data sheets as new information becomes available. It is the user's responsibility to determine the suitability of this information for the adoption of safety precautions as may be necessary and to contact the company to make sure that the sheet is the latest one issued. If and in so far as limitation of liability is permitted under the applicable laws, we do not accept liability for any inaccuracy that may occur in this information.

Safety data sheet Océ TDS800 printer

PRODUCT SAFETY DATA SHEET			
		Number E-730-a-UK Date January 2001	
Model	Océ TDS800 printer engine		
Description	Electrophotographic printer, console model, plain paper, organic photoconductive drum, powder toner		
Max. process speed	13 m/min		
Dimensions	Width	1720 mm	
	Depth	1146 mm	
	Height	1400 mm	
Weight	939 kg		
Voltage	230 V	400 V	415 V
Frequency	50 Hz	50 Hz	50 Hz
Current-rated	16/12/11 A	11/6/7 A	11/6/6 A
Power consumption, low power	495 W		
Power consumption, stand by	820 W		
Power consumption, operation	4100 W		
EPA ENERGY STAR®	13 W (without controller)		
* Power consumption sleep mode	Cables with plug		
Mains connection	I (IEC 536) Protective earth connection		
Safety class	IP 20 (IEC 529)		
Protection class			
Sound pressure level (at bystander position)	Standby	In operation	
	46 dB(A)	main body 59 dB(A) impulse L _i = 1 dB(A)	
Sound power level	59 dB(A)	main body 70 dB(A)	
Radio interference	Complies with Directive 89/336/EEC and FCC rules and regulations, part 15 Class A.		
Radiation	Below the Threshold Limit Values for UV, Visible and IR radiation (TLV list of ACGIH)		
Heat emission	Standby 820 W; at continuous operation 4,1 kW		
Ozone emission	0,02 mg/min at continuous operation		
Room volume	Recommendation: min. 75 m ³		
Room ventilation	Recommendation: min. 37,5 m ³ /h (natural ventilation) For heat evacuation extra ventilation may be necessary		
Use simulation at random operation	Room volume and ventilation as recommended		
	Daily copy volume (much more than average)	1200 m ²	
	Total worktime	8 h	
	Ozone concentrations:		
	- Time weighted average	< 0,001 mg/m ³	(<0,0005 ppm)
	- Peak	0,0015 mg/m ³	(0,0008 ppm)
	<i>Threshold Limit Value/Occupational Exposure Limit (Time Weighted Average) for ozone</i>	0,2 mg/m ³	(0,1 ppm)
	<i>Odour Perception Limit for ozone</i>	0,04 mg/m ³	(0,02 ppm)
Consumables	Océ 9800 OPC (Océ Safety Data Sheet E-194) Océ E1 Toner (Océ Safety Data Sheet E-198) Océ Copying Materials		
Additional safety information	The ozone filter does not have to be replaced to keep the ozone concentration in the workplace below 0,04 mg/m ³ (i.e. the life of the filter equals that of the apparatus).		
CE-Compliance	Approved according to Low Voltage Directive 73/23/EEC	Approved according to EMC Directive 89/336/EEC	EPA ENERGY STAR®
			
Copyright © 2001 Océ-Technologies B.V., Venlo, NL			

The content of this safety data sheet is subject to the disclaimer of liability on page 260 of this manual.

Safety data sheet Océ TDS800 scanner

PRODUCT SAFETY DATA SHEET			
		Number E-729-a-UK Date January 2001	
Model	Océ TDS800 Scanner		
Description Max. process speed	Freestanding scanner, maximum original size 1036 mm x 6000 mm 10 m/min		
Dimensions	Width	1320 mm	
	Depth	640 mm	
	Height	1235 mm	
Weight		147 kg	
Voltage	230 V		
Frequency	50 Hz		
Current-rated	1 A		
Power consumption, stand by	165 W		
Power consumption, operation	180 W at continuous operation		
EPA ENERGY STAR®	7 W		
* Power consumption low power	7 W		
Mains connection	Cable with plug		
Safety class	I (IEC 536) Protective earth connection		
Protection class	IP 20 (IEC 529)		
Sound pressure level (at operator position)	Stand by/in operation 43 dB(A) main body 53 dB(A) impulse L ₁ = 9 dB(A)		
Sound power level	56 dB(A) main body 68 dB(A)		
Radio interference	Complies with Directive 89/336/EEC and FCC rules and regulations, part 15 Class A.		
Radiation	Below the Threshold Limit Values for UV, Visible and IR radiation (TLV list of ACGIH)		
Heat emission	Standby 165 W; at continuous operation 180 W		
Ozone emission	Not applicable		
Room volume	No special requirements		
Room ventilation	No special requirements		
Consumables	Not applicable		
Additional safety information	None		
<div style="display: flex; justify-content: space-around; align-items: flex-start;"> <div style="text-align: center;"> <p>CE-Compliance</p>  </div> <div style="text-align: center;"> <p>Approved according to Low Voltage Directive 73/23/EEC</p>  </div> <div style="text-align: center;"> <p>Approved according to EMC Directive 89/336/EEC</p>  </div> <div style="text-align: center;"> <p>EPA ENERGY STAR®</p>  </div> </div>			
Copyright © 2001 Océ-Technologies B.V., Venlo, NL			

The content of this safety data sheet is subject to the disclaimer of liability on page 260 of this manual.

Safety data sheet Océ E1 toner

MATERIAL SAFETY DATA SHEET (93/112/EEC and ISO 11014-1)		Number	E-198-b-UK
		Date	July 1997
		Page	1 of 2

Océ E1 Toner

1. Product and company identification

Product name	Océ E1 Toner
Packing	Polyethylene bottle, contents 1,0 kg /2.1 lb
Company	Océ (UK) Ltd.
Address	Langston Road, Loughton, Essex IG10 3SL
Telephone	0181-508 5544 (contact product safety coordinator)
Telefax	0181-508 6689

2. Composition / information on ingredients

Ingredients	CAS No.	Classification	Weight %
Polyester resin	170831-75-1		25-50
Iron oxide	1317-61-9		25-50
Phenoxy resin	PMN P-95-461		10-25
Carbon black	1333-86-4		1-5
Amorphous silica	68611-44-9		<1

3. Hazards identification

In a toner dust cloud the formation of an explosive dust-air mixture is possible.
Toner dust may cause discomfort for the eyes and respiratory tract, in the same manner as inert nuisance dust.
To our knowledge, with due observance of the recommended exposure limit and of normal hygiene this product presents no health hazard in normal use.

4. First aid measures

Eyes contact	Rinse with plenty of water.
Skin contact	Wash with cold water and soap.
Inhalation	Clean nose, mouth, throat. Cough up. Fresh air.
Ingestion	Rinse mouth with water. If large quantity swallowed seek medical advice.

For any medical advice take along this material safety data sheet.

5. Fire fighting measures

Extinguishing media	Dry chemical, carbon dioxide, water spray (fog), foam
Special fire fighting precautions	N.A.
Hazardous products of decomposition	N.A.

6. Accidental release measures

Spills can be cleaned with a vacuum cleaner or a damp rag. Do not use warm water, because this makes the powder soft and sticky.

7. Handling and storage

Keep bottle tightly closed to prevent dust formation. Handle carefully. Avoid breathing dust. Keep in a cool dry place (38 °C, 100 °F).
Keep away from direct sunlight or heating devices.
No special technical measures for storage.

8. Exposure controls / personal protection

No special technical measures. No personal protective equipment needed.
Industrial hygiene: after skin contact wash with cold water and soap.
Threshold Limit Value for nuisance dust: 10 mg/m³.
Threshold Limit Value for carbon black: 3,5 mg/m³.
Threshold Limit Value for amorphous silica: 10 mg/m³.

continued on the next page



MATERIAL SAFETY DATA SHEET

(93/112/EEC and ISO 11014-1)

Number E-198-b-UK
Date July 1997
Page 2 of 2

**Océ E1 Toner****9. Physical and chemical properties**

Explosion limits (dust explosion) LEL 60 g/m ³ . UEL U (= unknown)	Flash point (°C)	N.A. (=Not Applicable)
Appearance and odour Black powder, faint odour	Ignition temperature (°C)	U
Boiling point (°C) N.A.	Bulk density (kg/m³)	ca 1000
Vapour density (air = 1) N.A.	Softening point (°C)	Approx. 50
Solubility in water Insoluble	Evaporation rate (butyl acetate = 1)	N.A.
Vapour pressure N.A.	% Volatile	0
Other characteristics N.A.	pH (solution)	N.A.

10. Stability and reactivity

Thermal decomposition	Above approx. 450 °C
Hazardous decomposition products	None at intended use
Hazardous reaction	None
Combustion products	Carbon dioxide, carbon monoxide, water

11. Toxicological information

Inhalation	* At high concentration in air the powder may cause discomfort of upper respiratory system.
Skin	* No adverse health effects are expected.
Eyes	* Dust may cause discomfort in the same manner as nuisance dust.
Ingestion	* Considered relatively harmless.
Mutagenicity	No mutagenicity detected in Ames test.
	* These statements are based on toxicological literature on the ingredients of this product and test results of similar products.

12. Ecological information

This product is not biodegradable.
 The ingredients are not classified as ecologically hazardous. No adverse environmental effects are expected.

13. Disposal considerations

Pack waste dustproof to prevent dusting. With due observance of local laws and regulations, dispose of by burial in a sanitary landfill or incineration. Do not throw in open fire, in order to prevent the risk of a dust explosion.

14. Transport information

This product is not classified as a dangerous substance according to the international transport regulations.

15. Regulatory information

This product is not classified as a dangerous preparation according to the European Directives 67/548/EEC and 88/379/EEC for the classification, packaging and labelling of dangerous substances and preparations.
 Therefore, indications of special risks or safety advice on the packing are not prescribed for this product.

16. Other information

Use: ink powder for printers.
 Room ventilation: see operator manual or safety data sheet for the printer.
 This MSDS replaces MSDS E-179 for Oc 9800 Toner.
 Revision of E-198-a-UK dated March 1997.
 Modifications: information on ingredients changed.

Copyright © 1997 Océ-Technologies B.V. Venlo, NL

The content of this safety data sheet is subject to the disclaimer on page 260 of this manual.

Safety data sheet Océ Cleaner A



Safety Data Sheet

No. E-104-a-UK
Date February 1991

Commercial product name	Océ Cleaner A, Part No. 1068104														
Packing	Polyethylene bottle, contents 100 ml														
Use	Antistatic cleaning and maintenance fluid for glass surfaces														
Company	Océ-(UK) Ltd.														
Address	Langston Road, Loughton, Essex IG10 3TH														
Telephone	01-508 5544 (contact product safety coordinator)														
Telefax	01-508 6689														
1.1 Chemical characterization	<i>Preparation:</i> <table border="0"> <tr> <td>Water</td> <td>CAS No. 7732-18-5</td> <td>50 - 100 %</td> </tr> <tr> <td>Petroleum distillate (free of aromatic hydrocarbons)</td> <td>CAS No. 8002-05-09</td> <td>10 - 25 %</td> </tr> <tr> <td>Silicone oil</td> <td>CAS No. 67762-92-9</td> <td>1 - 5 %</td> </tr> <tr> <td>Emulsifier</td> <td></td> <td>< 1 %</td> </tr> </table>			Water	CAS No. 7732-18-5	50 - 100 %	Petroleum distillate (free of aromatic hydrocarbons)	CAS No. 8002-05-09	10 - 25 %	Silicone oil	CAS No. 67762-92-9	1 - 5 %	Emulsifier		< 1 %
Water	CAS No. 7732-18-5	50 - 100 %													
Petroleum distillate (free of aromatic hydrocarbons)	CAS No. 8002-05-09	10 - 25 %													
Silicone oil	CAS No. 67762-92-9	1 - 5 %													
Emulsifier		< 1 %													
1.2 Form: liquid	1.3 Colour: white	1.4 Odour: faint													
2 Physical and safety data															
2.1 Change in physical state	approx. 100 °C														
Boiling point															
2.2 Density (water = 1)	approx. 1 g/cm ³														
2.3 Vapour pressure (20 °C)	approx. 23 mbar														
2.4 Viscosity (°C)	U (= Unknown) mPa.s														
2.5 Solubility in water in	miscible g/l g/l														
2.6 pH (in g/l H ₂ O) (20 °C)	6 to 7														
2.7 Flash point	> 100 °C														
2.8 Ignition temperature	U °C														
2.9 Explosion limits:	lower: U	upper: U													
2.10 Thermal decomposition	No decomposition at normal use														
2.11 Hazardous decomposition products	Carbon monoxide in case of incomplete combustion														
2.12 Hazardous reaction	None														
2.13 Further information															
3 Transport	IMDG-Code: N.A.	UN-No: N.A.	ICAO/IATA-DGR: N.A.												
	RID/ADR: N.A.	ADNR: N.A.													
	Other information: Not classified as a dangerous substance.														
4 Regulations	<p>OSHA Permissible Exposure Limit for petroleum distillate (CAS No. 8002-05-09): 2000 mg/m³ (500 ppm).</p> <p>This product is not classified as a dangerous preparation according to the European Directives 67/548/EEC and 88/379/EEC for the classification, packaging and labelling of dangerous substances and preparations. Therefore, indications of special risks or safety advice on the packing are not prescribed for this product.</p>														

continued on the next page



No. E-104-a-UK
Date February 1991

Commercial product name Océ Cleaner A, Part No. 1068104

5 Protective measures, storage and handling

- 5.1 Technical protective measures
No
- 5.2 **Personal protective equipment**
Respiratory protection: *No* Eye protection: *No*
Hand protection: *None needed at normal use.* Other: *No*
- 5.3 Industrial hygiene
Avoid frequent or prolonged skin contact.
- 5.4 Protection against fire and explosion:
No special measures.
- 5.5 Disposal
Do not empty into drains. Dispose of in accordance with local laws and regulations.

6 Measures in case of accidents and fire

- 6.1 After spillage/leakage/gas leakage
Remove spills with water.
- 6.2 Extinguishing media
Suitable: *water, dry powder, carbon dioxide.*
Not to be used:
- 6.3 **First aid**
Inhalation : *Fresh air.*
Skin : *Wash with water.*
Eyes : *Rinse with plenty of water for 5 minutes.*
Ingestion : *Do not induce vomiting, seek medical advice.*
- 6.4 Further information
For any medical advice take along this safety data sheet.

7 Information on toxicity

- Inhalation : *Considered relatively harmless.*
Skin : *Frequent or prolonged contact with petroleum distillate defats the skin and may cause dermatitis.*
Eyes : *Contact with eyes may cause redness and burning feeling.*
Ingestion : *Ingestion of petroleum distillate may cause aspiration of droplets and chemical pneumonitis.*
Mutagenicity : *It is unknown whether this emulsion may have the same effect.*
None of the ingredients is reported in literature as a mutagenic or carcinogenic agent.
- During normal use no adverse health effects are to be expected.*

8 Information on ecological effects

9 Further information

See information leaflet in the Océ Cleaner A Kit.

This safety data sheet has been compiled to the best of our knowledge as a compact guide to safe handling of this product. We reserve the right to revise safety data sheets as new information becomes available. It is the user's responsibility to determine the suitability of this information for the adoption of safety precautions as may be necessary and to contact the company to make sure that this sheet is the latest one issued. If and insofar as limitation of liability is permitted under the applicable laws, we do not accept liability for any inaccuracy that may occur in this information.

Copyright ©1991 Océ-Nederland B.V., Venlo, NL

The content of this safety data sheet is subject to the disclaimer on page 260 of this manual.

Safety data sheet Océ OPC drum

MATERIAL SAFETY DATA SHEET (93/112/EEC and ISO 11014-1)		Number	E-194-b-UK
		Date	July 1997
		Page	1 of 2
Océ OPC Drum, Part No. 1989423			
1. Product and company identification			
Product name	Océ OPC Drum, Part No. 1989423 (for Oc 9800)		
Packing	Plastic box		
Company	Océ (UK) Ltd.		
Address	Langston Road, Loughton, Essex IG10 3SL		
Telephone	0181-508 5544 (contact product safety coordinator)		
Telefax	0181-508 6689		
2. Composition / information on ingredients			
Ingredients	CAS No.	Classification	Weight %
Aluminium	7429-90-5		>99
Resins			< 1
Pigments			< 1
3. Hazards identification			
To our knowledge this product presents no health hazard in normal use.			
4. First aid measures			
Eyes contact	Not Applicable (=N.A.)		
Skin contact	N.A.		
Inhalation	N.A.		
Ingestion	N.A.		
For any medical advice take along this material safety data sheet.			
5. Fire fighting measures			
Flash point (°C)	N.A.		
Explosion limits	LEL N.A. UEL N.A.		
Ignition temperature (°C)	N.A.		
Extinguishing media	Dry chemical, carbon dioxide, water spray (fog), foam		
Special fire fighting precautions	N.A.		
Hazardous products of decomposition	N.A.		
6. Accidental release measures			
N.A.			
7. Handling and storage			
No special technical measures for storage.			
8. Exposure controls / personal protection			
No special technical measures. No personal protective equipment needed. No special work hygiene practices needed.			

continued on the next page



MATERIAL SAFETY DATA SHEET

(93/112/EEC and ISO 11014-1)

Number E-194-b-UK**Date** July 1997**Page** 2 of 2**Océ OPC Drum, Part No. 1989423****9. Physical and chemical properties**

Appearance and odour	Brown odourless drum	Density (g/cm³)	approx. 2,7
Boiling point (°C)	N.A.	Melting point (°C)	N.A.
Vapour density (air = 1)	N.A.	Evaporation rate (butyl acetate = 1)	N.A.
Solubility in water	Insoluble	% Volatile	0
Vapour pressure	N.A.	pH (solution)	N.A.
Other characteristics	N.A.		

10. Stability and reactivity

Thermal decomposition	None at intended use
Hazardous decomposition products	None at intended use
Hazardous reaction	None at intended use

11. Toxicological information

Inhalation	N.A.
Skin	No adverse health effects are expected.
Eyes	N.A.
Ingestion	N.A.
Mutagenicity	No mutagenicity detected in Ames test. None of the ingredients is listed as mutagenic or carcinogenic.

12. Ecological information

This product is not biodegradable.
The ingredients are not classified as ecologically hazardous. No adverse environmental aspects are expected.

13. Disposal considerations

The drum will be returned to Océ for re-use.

14. Transport information

This product is not classified as a dangerous substance according to the international transport regulations.

15. Regulatory information

This product is an article and contains no hazardous substances. Therefore, indications of special risks or safety advice on the packing are not prescribed for this product.

16. Other information

Use: photoconductor for copiers.
Revision of E-194-a-UK dated February 1995.
Modification: none.

Copyright © 1995 Océ-Technologies B.V. Venlo, NL

The content of this safety data sheet is subject to the disclaimer on page 260 of this manual.

EPA ENERGY STAR®

Introduction

Océ-Technologies B.V. has joined the ENERGY STAR® Program of the United States Environmental Protection Agency (EPA). The purpose of the ENERGY STAR® Program is to promote the manufacturing and marketing of energy-efficient equipment, thereby potentially reducing combustion-related pollution. Using the energy management features outlined below prevents unnecessary power consumption, which helps to prevent air pollution from electricity generating plants and saves money on your utility bills.

As an ENERGY STAR® Partner, Océ-Technologies B.V. has determined that the below-mentioned configurations of the Océ TDS800 meet the ENERGY STAR® guidelines for energy efficiency:

- Océ TDS800 Printer, consisting of printer, controller and monitor.
- Océ TDS800 Scanner.

The Océ TDS800 Multifunctional Digital System, consisting of Océ TDS800 Scanner and Océ TDS800 Printer including controller and monitor, has the same efficiency features but does not meet the ENERGY STAR® specification for the sleep mode of a multifunctional device.

Features

The ENERGY STAR® Criteria involve following features.

- low power mode
The Océ TDS800 Printer, TDS800 Scanner and TDS800 Multifunctional Digital System enter automatically the low power mode 15 minutes after completion of the last job. The Key Operator can adjust the low power mode default time between 15 and 240 minutes.
- sleep mode
The Océ TDS800 Printer and TDS800 Multifunctional Digital System enter automatically the sleep mode 90 minutes after completion of the last job. The Key Operator can adjust the sleep mode default time between 15 and 240 minutes.

During the sleep mode of the Océ TDS800 the controller remains in operation.

It is suggested to determine the appropriate default times for your work pattern by changing the setting in steps of 30 minutes and testing each setting for at least a week.

Only if this limit of 240 minutes still causes sizable inconvenience, due to your particular work pattern, the key operator can disable the sleep mode.

Power consumption data

The controller in below-mentioned products is a functionally integrated computer.

Power data			
	Low Power mode (Watts)	Low Power recovery time (seconds)	Sleep Mode (Watts)
Océ TDS800 Printer	493	35	13 ⁽¹⁾
Océ TDS800 Scanner	7	N.A.	N.A.
Océ TDS800 MDS ⁽²⁾	752	35	115

Note: ⁽¹⁾ Without controller, as defined for Tier 1 in the Printer/Fax MOU Version 3.0.

Note: ⁽²⁾ MDS = Multifunctional Digital System, consisting of printer, scanner, controller and monitor.



ENERGY STAR[®] is a U.S. registered mark.

Appendix C

Miscellaneous



Notation conventions

There are a number of notation conventions used in this manual. This consistent style enables you to quickly become conversant with the use of this manual and consequently the Océ TDS800.

Description Each section or subsection contains a description of the feature or operation identified in the title. It might also include possible applications, as well as any guidelines that you should bear in mind.

Procedures A description is followed by a procedure. A procedure always begins with a phrase which briefly describes the procedure, followed by a series of numbered steps that take you, step by step, through all phases of performing the operation.

Figures and tables Figures and tables are titled and numbered sequentially throughout this manual. Figures include pictures of product components, screenshots, examples, and diagrams of concepts discussed in the description.

Attention getters There are several types of information to which we draw your attention. This information is classified as follows:

Note: *In a 'Note', information is given about matters that ensure the proper functioning of the machine or application, but useful advice concerning its operation may also be given.*

Attention: *The information that follows 'Attention' is given to prevent something (your copy or original, the copier or printer, data files etc.) from being damaged.*

Caution: *The information that follows 'Caution' is given to prevent you from suffering personal injury.*

Reader's comment sheet

Have you found this manual to be accurate?

- Yes
- No

Could you operate the product after reading this manual?

- Yes
- No

Does this manual provide enough background information?

- Yes
- No

Is the format of this manual convenient in size, readability and arrangement (page layout, chapter order, etc.)?

- Yes
- No

Could you find the information you were looking for?

- Always
- Most of the times
- Sometimes
- Not at all

What did you use to find the required information?

- Table of contents
- Index

Are you satisfied with this manual?

- Yes
- No

Thank you for evaluating this manual.

If you have other comments or concerns, please explain or suggest improvements on the back of this sheet or on a separate sheet.

Comments:

Date:

This reader's comment sheet is completed by:
(If you prefer to remain unknown, please fill in your occupation)

Name:

Occupation:

Company:

Phone:

Address:

City:

Country:

Please return this sheet to:

Océ-Technologies B.V.
For the attention of ITC User Documentation.
P.O. Box 101,
5900 MA Venlo
The Netherlands

Send comments by E-mail to : itc-userdoc@oce.nl

For the addresses of local Océ organizations, see: www.oce.com

Addresses of Océ organizations

Océ-Australia Ltd.
P.O.Box 363
Ferntree Gully MDC VIC 3165
Australia

Océ-Österreich GmbH
Postfach 95
1233 Vienna
Austria

Océ-Belgium N.V./S.A.
Avenue J.Bordetlaan 32
1140 Brussels
Belgium

Océ-Brasil Comércio e Industria Ltda.
Caixa Postal 3187
01060-970 Sao Paulo, SP
Brazil

Océ-Canada Inc.
4711 Yonge Street, Suite 1100
Toronto, Ontario M2N 6K8
Canada

Océ Office Equipment (Beijing) Co Ltd.
No. 138 Wan Fu Jong Dajie
T1-719 Sun Dong An Plaza
Beijing 100006
China

Océ-Česká republika s.r.o.
Hanusova 18
14021 Praha 4
Pankrác,
Czech Republic

Océ-Danmark A.S.
Vallensbaekvej 45
DK 2605 Brøndby
Denmark

Océ-France S.A.
32, Avenue du Pavé Neuf,
93161 Noisy-le-grand, Cedex
France

Océ-Deutschland GmbH
Postfach 101454
45414 Mülheim an der Ruhr
Deutschland

Océ (Hong Kong China) Ltd.
12/F 1202 The Lee Gardens
33 Hysan Avenue, Causeway Bay
Hong Kong

Océ-Hungária Kft.
P.O.B. 237
1241 Budapest
Hungary

Océ-Italia S.p.A.
Strada Padana Superiore 2/B
20063 Cernusco sul Naviglio (MI)
Italia

Océ Systems (Malaysia Sdn. Bhd.)
#3.01, Level 3, Wisma Academy
Lot 4A, Jalan 19/1
46300 Petalig Jaya
Malaysia

Océ-Nederland B.V.
P.O.Box 800
5201 AV 's-Hertogenbosch
The Netherlands

Océ Norge A/S
Postboks 53, Grefsen
0409 Oslo 4
Norway

Océ-Poland Ltd.
ul. Łopuszańska 53
02-232 Warszawa
Poland

Océ-Lima Mayer S.A.
Av. José Gomes Ferreira, 11
Ed. Atlas II Miraflores
1495-139 Algués
Portugal

Océ (Far East) Pte. Ltd./
Océ (Singapore) Pte. Ltd.,
#03-00 Wisma Gulab
190 MacPherson Road
Singapore 348548

Océ España SA
Business Park MAS BLAU
C/Osona 2, 2-3a Planta
08820 El Prat del Llobregat (Barcelona)
Spain

Océ-Svenska AB
P.O.box 754
S-191 27 Sollentuna
Sweden

Océ-Schweiz AG
Sägereistrasse 29
CH8152 Glattbrugg
Switzerland

Océ (Taiwan) Ltd.
No. 99-24 Nan Kang Road Sec.2
Taipeh, Taiwan
Taiwan, RO

Océ (Thailand) Ltd.
16th Floor, B.B. Building
54 Asoke Road, Sukhumvit 21
Bangkok 10110
Thailand

Océ-U.K.Ltd.
Langston Road
Loughton, Essex IG10 3SL
United Kingdom

Océ-USA Inc.
5450 North Cumberland Av.
Chicago, Ill. 606556
U.S.A.

Index

A

account center 171
account console 175
account logging 61
account logic 173
adobe postscript 3 /pdf 15, 22
applications
 queue manager 20
 settings editor 21
 system control panel 21
arrow keys 48
auto align 106
auto roll 46
automatic logon 165
available material types and sizes 253

B

background compensation 104
belt unit 178, 183, 185
 side guides 185
binding strip 180
brightness 103

C

cancel a print job 39
checkprint 75
chip tray 188, 193
clear the system 145
command line parameters 166
connect to a controller 169
continue a print job 39
controller
 start up 24
copy jobs 55
 define settings 61
 next original 61
 non-standard size originals 98

special originals 98
copy size 99
cut & paste 105

D

define file names 86
delete a destination 85
delete a scanned file 87
delete print jobs 153
destination card 74
drawing method 179

E

editing an image 106
exposure 46, 56

F

folded package length 180
folded package width 179
folder
 belt unit 178, 183
 folding settings 179
 punch unit 178
 reinforcement unit 178
folding 50, 56
folding length
 maximum 182
folding method 179
folding settings 179, 182
ftp 90
 printing 17
 retrieve files 90
function keys 48

G

green key principle 16

H

history queue 149

I

inbox queue 149
install remote logic 157
 apple macintosh 161
 microsoft windows 157
 unix 159
interrupt a job 63

J

jams 217
japan support
 destination names 84
 fonts 15, 22
job interrupt 47, 54, 63
job recovery 16
job templates
 define the default settings 137
 description 52

K

key operator settings 127

L

load a roll 191
load paper 188
load rolls of media 188
lock a destination 84
log off 164
log on 164

M

manage print jobs 153

manual feed 46
 copy jobs 62
manual feed 62
matrix logic 112
media display 143
media selection 46, 56
mirror-image 109
move a job to top 154

N

non-standard size 98
non-standard sized originals 98

O

océ account center 171
océ account console 175
océ account logic 173
océ matrix logic 112
océ print exec workgroup 40
océ remote logic 155
océ repro desk 42
original type 105

P

paper jam 217
 high capacity output unit of the folder 231
 manual feed 218
paper series 55, 57, 192
password 165
pdf 15, 22, 76
 compression 77
print a scanned file 87
print exec workgroup 40
print queue 149, 153
print with oce print exec workgroup 40
print with oce repro desk 42
printer 14, 29
 counter 34
 graphical display 33
 keys 34
 on-line 35

- selection keys 35
- stop 35, 63
- up / down keys 35
- media selection 192
- operator panel 32
- select a language 32
- setting media types and sizes 36
- printer operator panel actions 36
- printer settings
 - media types and sizes 36
 - setting a special media indication 36
- printer status display 143
- problems
 - original jam 214
 - other 214, 240
 - paper jam 214
 - reinforcement unit 214
- product specifications 245
- properties of a scanned file 88
- punch unit 178, 186

Q

- queue manager
 - active print job window 148
 - delete print jobs 153
 - function 148
 - functionality 20
 - history queue 149
 - inbox queue 149
 - introduction 20
 - menu bar 148
 - move a job to top 154
 - pause print jobs 154
 - print queue 149
 - put print jobs on hold 154
 - remote workstation 148
 - restart jobs that are put on hold 154
 - restart paused print job 154
 - structure 148
 - user modes 151
 - view print queue 153
 - window 150

R

- reference roller 206
- reinforcement unit 178, 183
 - insert a new tape roll 196
 - maintenance 208
 - problems 234
 - waste box 208
- remote logic
 - add a controller 169
 - applications 156
 - command line parameters 166
 - connect to a controller 169
 - help 166
 - how to use 169
 - language 166
- repro desk 42
- repro operator settings 127
- restart a paused print job 154
- restart jobs that are put on hold 154
- retrieve scanned files 89
 - ftp 90
- roll holder 188, 191
- roll loader 191

S

- safety data sheets 260
- safety information 258
- scan clicks 71
- scan jobs
 - filig strip 100
 - image quality 103
 - leading and trailing strip 101
- scan logic 70
- scan manager 79
 - delete a destination 85
 - destination 80
 - lock 84
 - unlock 85
 - destination properties 85
 - file properties 81
 - local destination 82
 - retrieve files via ftp 90
 - network destination 83
 - table view 81

- temporary store 89
- tree view 80
- web destination 84
- scan width 98
- scanned files 87
- scanner
 - display
 - image card 104
 - original section 104
 - exposure control 46
 - input mode 58
 - keys
 - auto roll 46
 - correction key 47
 - job interrupt 47
 - manual feed 46
 - numeric keys 47
 - start key 47
 - stop key 47
 - media selection 55
 - mirror an image 78
 - numeric display 47
 - operating panel 45
 - operator panel
 - change language 52
 - destination card 74
 - file section 75
 - image card 74
 - sections 49
 - reference roller
 - clean 206
 - zoom 60
- scanner
 - keys
 - media selection 46
- scanner status display 143
- scan-to-file 70, 72
 - destination 72, 75
 - ftp 84
 - local 82
 - smb 83
- enable 70
- file format 76
 - cals 76
 - pdf 76
 - tiff 76
- file properties 81
- local destination
 - retrieve files via ftp 90
- optimisation 78
 - file size 78
 - scan quality 78
 - resolution 77
 - settings 74
 - zoom 78
- section keys 48
- set copy 58, 111
- set memory meter 143
- setting dependencies 127
- settings
 - scanner operator panel 53
- settings editor
 - access the settings editor 135
 - apply 130
 - menu bar 129
 - settings area 131
 - status bar 132
 - tree structure 131
 - undo 130
 - update area 131
- shift the image 108
- special media indication 38
- spool memory 16
- stamping 65
- standard cut 107
- start key 56, 111
- stop a copy job 63
- stop a print job 39
 - stop key 39
- synchro cut 107
- system administrator settings 127
- system control panel 142
 - icons 144
 - structure 142

T

- templates 53
 - define the default settings 137
 - description 52
- temporary store 89
- tiff subformat 76
 - compression 76
 - organization 76
- timers 25, 133

toner 194
 add 194
turn on and off 23

U

unlock a destination 85
user interaction 16
user modes 135, 163
users 18
 anonymous user 18
 key operator 18, 21
 repro operator 18
 service operator 18
 system administrator 18, 21

V

view a scanned file 87
 automatically 89
view station It 70, 92
 view a scanned file 73
 view error 95

W

warm up 24
waste box 208

Free Manuals Download Website

<http://myh66.com>

<http://usermanuals.us>

<http://www.somanuals.com>

<http://www.4manuals.cc>

<http://www.manual-lib.com>

<http://www.404manual.com>

<http://www.luxmanual.com>

<http://aubethermostatmanual.com>

Golf course search by state

<http://golfingnear.com>

Email search by domain

<http://emailbydomain.com>

Auto manuals search

<http://auto.somanuals.com>

TV manuals search

<http://tv.somanuals.com>