



# IBM 9.4/4.7 GB DVD-RAM Drive

---

## *User's Guide*

OPTIONS  
*by IBM*

**Note:** Before using this information and the product it supports, read the information under Appendix C, "Product warranties and notices" on page C-1.

First Edition (August 2000)

© **Copyright International Business Machines Corporation 2000. All rights reserved.**  
US Government Users Restricted Rights – Use, duplication or disclosure restricted by  
GSA ADP Schedule Contract with IBM Corp.

Download from [Www.Somanuals.com](http://Www.Somanuals.com). All Manuals Search And Download.

---

## Contents

<b>Safety: Read first</b> . . . . .	<b>v</b>
<b>Preface</b> . . . . .	<b>vii</b>
<b>Installation and user's guide.</b> . . . . .	<b>1-1</b>
<b>Appendix A. Problem solving</b> . . . . .	<b>A-1</b>
<b>Appendix B. Help and service information.</b> . . . . .	<b>B-1</b>
<b>Appendix C. Product warranty and notices</b> . . . . .	<b>C-1</b>



---

## Safety: Read first

Before installing this product, read the Safety Information.

مج، يجب قراءة دات السلامة

Antes de instalar este produto, leia as Informações de Segurança.

在安装本产品之前，请仔细阅读 **Safety Information** (安全信息)。

Prije instalacije ovog produkta obavezno pročitajte Sigurnosne Upute.

Před instalací tohoto produktu si přečtete příručku bezpečnostních instrukcí.

Læs sikkerhedsforskrifterne, før du installerer dette produkt.

Ennen kuin asennat tämän tuotteen, lue turvaohjeet kohdasta Safety Information.

Avant d'installer ce produit, lisez les consignes de sécurité.

Vor der Installation dieses Produkts die Sicherheitshinweise lesen.

Πριν εγκαταστήσετε το προϊόν αυτό, διαβάστε τις πληροφορίες ασφάλειας (safety information).

לפני שתתקינו מוצר זה, קראו את הוראות הבטיחות.

A termék telepítése előtt olvassa el a Biztonsági előírásokat!

製品の設置の前に、安全情報をお読みください。

본 제품을 설치하기 전에 안전 정보를 읽으십시오.

Пред да се инсталира овој продукт, прочитајте информацијата за безбедност.

Lees voordat u dit product installeert eerst de veiligheidsvoorschriften.

Les sikkerhetsinformasjonen (Safety Information) før du installerer dette produktet.

Przed zainstalowaniem tego produktu, należy zapoznać się z książką "Informacje dotyczące bezpieczeństwa" (Safety Information).

Antes de instalar este produto, leia as Informações sobre Segurança.

Перед установкой продукта прочтите инструкции по технике безопасности.

Pred inštaláciou tohto zariadenia si pečítajte Bezpečnostné predpisy.

Pred namestitvijo tega proizvoda preberite Varnostne informacije.

Antes de instalar este producto lea la información de seguridad.

Läs säkerhetsinformationen innan du installerar den här produkten.

安裝本產品之前，請先閱讀「安全資訊」。

Prima di installare questo prodotto, leggere le Informazioni sulla Sicurezza.

---

## Preface

This manual contains instructions for installing and using the IBM 9.4/4.7 GB DVD-RAM Drive with Software MPEG-2 Option Kit. The manual is divided into the following parts:

### Part 1: Installation and user's guide

This guide contains the product description and installation instructions in the following languages:

- English
- French
- Spanish
- Italian
- Brazilian Portugese
- Traditional Chinese
- Simplified Chinese
- Japanese

### Part 2: Appendixes

This section contains device-driver, problem-solving, help and service, warranty, and notice information.

**Note:** The illustrations in this manual might be slightly different from your hardware.

---

## Registering your option

Thank you for purchasing OPTIONS by IBM. Please take a few moments to register your product and provide us with information that will help IBM to better serve you in the future. Your feedback is valuable to us in developing products and services that are important to you, as well as in developing better ways to communicate with you. Register your option on the IBM Web site at

<http://www.ibm.com/pc/register>

IBM will send you information and updates on your registered product unless you indicate on the Web site questionnaire that you do not want to receive further information.





---

## Installation and user's guide

This section contains the product description, hardware and software installation instructions, and operating information for the IBM® 9.4/4.7 GB DVD-RAM Drive.

---

### Product description

#### 9.4/4.7 GB DVD-RAM Drive with MPEG-2 Software

This option package is intended for multimedia applications. The drive comes with a CD containing MPEG-2 decoder software for Microsoft Windows 98, Windows 95, Windows 2000, Windows NT, and Windows Me.

In addition to this guide, your option package includes the following:

- IBM 9.4/4.7 GB DVD-RAM Drive
- Four mounting screws (M3 x 5-mm, slotted)
- IDE cable for connecting two IDE devices
- Internal audio "Y" cable
- Safety information manual
- *Laser safety guide*
- MPEG-2 software CD
- *VOB InstantWrite Software* CD

Contact your place of purchase if an item is missing or damaged. Be sure to retain your proof of purchase; it might be required to receive warranty service. See "Appendix B. Help and service information" on page B-1 for technical support information.

Your drive can read many DVD and CD formats, including DVD video, video CD, and audio CD formats. However, you must install a video decoder to play video files. The drive also reads multiple-session, extended architecture (XA) CDs, such as the Kodak Photo CD. When used as a CD-ROM drive, this drive delivers data at up to 24 times the standard CD-ROM drive speed (24X). The DVD-RAM drive is designed for installation in a personal computer that uses integrated drive electronics (IDE) or enhanced IDE (EIDE) architecture.

---

### Software description

Your option package contains the following software:

- *MPEG-2 software CD*

With this MPEG-2 software, you do not need to install an MPEG-2 adapter in your computer to view DVD video files. The software CD contains an MPEG-2 decoder and programs that work with Windows 98, Windows 95 OSR2, Windows 2000, Windows NT 4.0, and Windows Me. You can use the software to play high-resolution DVD movies or MPEG-2 files with MPEG-2 video and Dolby AC-3 audio on a multimedia computer.

- **VOB InstantWrite Software CD**

VOB InstantWrite makes it simple to use your DVD-RAM drive just like a hard drive. With InstantWrite you can simply drag and drop files, create new directories, or save files from any application (such as word processing, graphics and accounting) directly to your DVD-RAM drive.

---

## Installation requirements

Be sure that your computer meets the following system requirements before installing the drive:

- Minimum microprocessor: Intel® Pentium® I 133MHz
- Minimum RAM: 32 MB
- Windows 98, Windows 95 OSR2, Windows 2000, Windows NT 4.0, or Windows Me operating system if you will be using the MPEG-2 software CD
- An available drive bay
- An available IDE connection
- 40 MB available hard disk space
- Audio adapter supporting 44.1 or 48 kHz sampling rate
- Optional stereo speakers

---

## Before you begin

Before you install the DVD-RAM drive, read the information in this section on handling precautions and on using the drive controls and connectors.

## Handling precautions

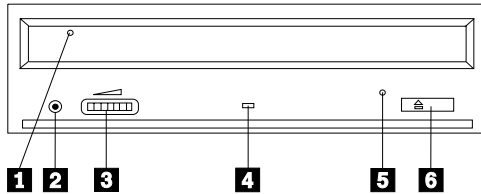
Use the following handling precautions to protect your drive.

- Keep the DVD-RAM drive in the antistatic bag until you are ready to install the drive. Limit your movement when installing; movement can cause static electricity buildup.
- Handle the drive with care. Dropping or jarring the drive can damage the components inside the drive housing.
- Do not force insertion of the IDE or power cables. Doing so might damage the connector or the drive.

## Drive controls and connectors

The following diagrams show the location and functions of the drive controls and connectors.

### Front view of the drive



#### **1** Disc drawer

This drawer is where you load and unload a disc.

#### **2** Headphone jack

This jack provides audio output to the headphones.

#### **3** Volume control

This dial controls the headphone volume.

#### **4** Busy indicator

This light comes on when the drive reads from, writes to, or plays a disc.

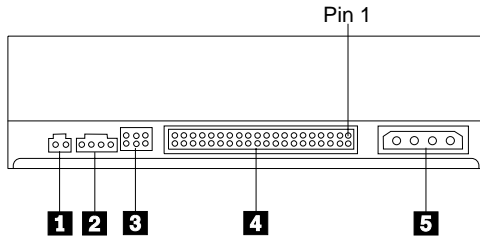
#### **5** Emergency eject hole

This hole provides access to the eject mechanism to remove a disc from the drive.

#### **6** Open/Close button

This button opens and closes the disc drawer when you push it.

## Rear view of the drive



### **1** Reserved

### **2** Audio-out connector

This connector transmits the analog audio signals to an audio adapter.

### **3** Configuration pins

These pins are used to set the drive configuration.

### **4** IDE port

This connects the DVD-RAM drive to the IDE cable.

### **5** Power connector

This connects the DVD-RAM drive to the power cable.

---

## Installing the drive

Follow these steps to install the DVD-RAM drive:

### Step 1. Opening the computer

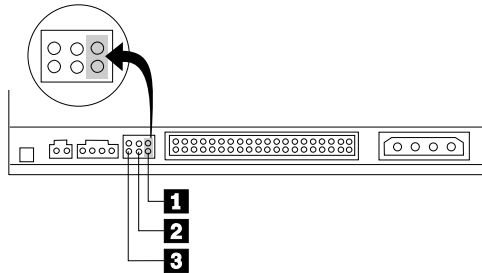
1. Turn off the computer and all attached devices.
2. Unplug all power cords from the computer and all attached devices.
3. Remove the cover from the computer. Refer to your computer documentation for instructions on removing the computer cover.

### Step 2. Unpacking the drive

1. Before opening the antistatic bag that the drive is packed in, touch the bag to an unpainted metal surface for at least two seconds. This drains the static electricity from the package and your body.
2. Remove the drive from the bag.

If you must put the drive down, place the antistatic bag on a flat, padded surface, such as a magazine, and place the drive on the antistatic bag.

### Step 3. Setting the configuration jumpers



You can configure your drive as master **1**, slave **2**, or cable-select **3**, as shown.

Use the following guidelines to determine the correct configuration for your DVD-RAM drive.

- Configure the DVD-RAM drive as a master if it will be the only device that is connected to an IDE cable. This is the preset configuration.
- Configure the DVD-RAM drive as a slave if it will be the second device on an IDE cable. Be sure to configure the other device as a master. In some cases, a hard disk drive might require a "master with slave present" jumper setting when another device on the same cable is configured as a slave. For more information on setting configuration jumpers on other devices, refer to the documentation that comes with your computer device.
- Some non-IBM computers use special ATA cables with two wires reversed in the device connectors so that the drives can be configured by the cable instead of by jumper position. Use the cable-select position only for computers that are equipped with these special cables. See the documentation that comes with your computer to determine if your ATA adapter requires that you place the jumpers in the cable-select position.

If you place the jumpers in the cable-select position, the IDE cable automatically assigns the master and slave settings based on the position of the drive on the cable. You must use the cable-select setting for this cabling system whether the DVD-RAM drive is the only device or the second device connected to the cable. The drive closest to the IDE controller is automatically the master drive. Any other devices on the IDE cable must also be set to cable-select.

## Step 4. Mounting the drive in the bay

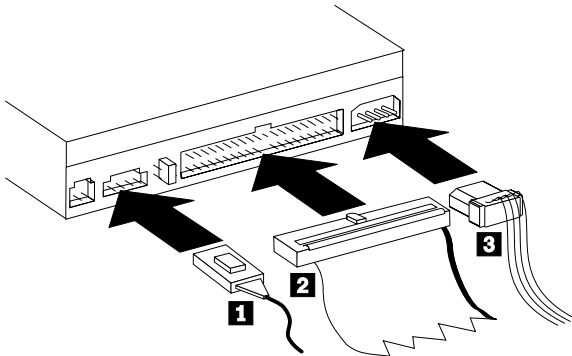
**Attention:** Be sure to use the M3 x 5-mm mounting screws in the option package when you are driving screws directly into the drive. Using screws that are too long might damage the drive.

You can mount the DVD-RAM drive horizontally or vertically in the computer. If you mount the drive vertically, you must secure any discs that you place into the drive before the drive tray is closed, or the DVD-RAM drive will not be able to read the disc properly. For more information on securing discs in a vertically mounted drive, go to "Securing a disc in a vertically mounted drive" on page 1-15.

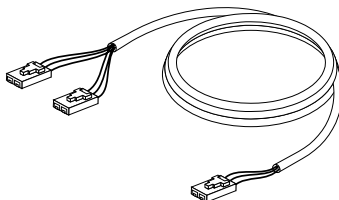
1. Slide the drive into the bay. Your computer might have specific required procedures for installing storage devices. For more information on storage devices, refer to the documentation that comes with your computer.
2. Align the drive-bay screw holes with the threaded holes in the drive housing or mounting bracket.
3. Thread the screws in loosely to check their position. Two screws are usually used on each side. Verify that the alignment is correct; then tighten the screws to secure the drive. Do not overtighten.

## Step 5. Attaching the cables to the drive

The following diagram shows where to connect the cables to the drive.



The following is an illustration of the internal audio cable that comes with your option package.



1. Connect the dual-connector end of the included internal audio cable **1** to the audio-out connector on the DVD-ROM drive.
2. Attach a 40-pin IDE-cable connector **2** to the IDE connector on the drive. Align the cable so that the color-coded edge is closest to the power cable connector **3**. Use the IDE cable that is provided with this option if there is no cable attached to the IDE port or if there is only one device connector on the computer IDE cable. The IDE cable can have up to three connectors. For the best signal quality when you are connecting only one device to the IDE cable, connect one end of the cable to the IDE port, and connect the other end of the cable to the device. Do not use the middle connector.  
  
If you are connecting two devices to the IDE cable, connect one end of the cable to the IDE port, and connect the master and slave devices to the remaining connectors on the other end. Many computers have two cables for attaching up to four ATA devices. For best performance, attach fast devices (hard disk drives) to the cable that is connected to the primary IDE port, and connect the DVD-RAM drive or other slower devices (CD-ROM drives, tape drives, diskette drives) to the cable that is connected to the secondary IDE port.
3. Attach a four-pin power cable **3** to the power connector on the DVD-RAM drive.

Be sure that the cables will not be pinched or crowded by the computer cover and that all other cable and power connections are secure.

## Step 6. Completing the hardware installation

1. Be sure that the DVD-RAM drive is securely mounted and that the connectors are firmly attached.
2. Be sure that the cables do not interfere with the computer cover, and that they do not block the power-supply fan blades or airflow paths.
3. Reinstall the computer cover.
4. Reconnect all external devices.
5. Plug all power cords into the wall outlets.

## Step 7. Verifying device driver installation in Windows NT

Some IBM computers with preinstalled Windows NT 4.0 contain a PIIXIDE device driver. This device driver replaces the Windows NT 4.0 native ATAPI device driver and provides DMA support. The drive will not work if both the ATAPI and PIIXIDE device drivers are enabled at the same time. If both device drivers are enabled at the same time, open the Control Panel, and set the Startup parameter of ATAPI.SYS to **Disabled**.

## Step 8. Installing the InstantWrite software

To install the InstantWrite software, do the following:

1. Insert the *InstantWrite Software* CD in the CD-ROM or DVD-RAM drive of your computer.
2. Double-click **My Computer**.
3. Double-click the icon for your CD-ROM or DVD-RAM drive.
4. Double-click **SETUP.EXE**. The Install Wizard window opens.
5. Follow the on-screen instructions.
6. When you are prompted, restart your computer.

## Step 9. Installing support software

If you will be using the drive as a data-only DVD-RAM drive or as a CD-ROM drive, you have completed the installation and do not need to install support software. For more information on maintaining your drive, see “Care and maintenance” on page 1-17.

If you will be installing the MPEG-2 decoding software for Windows Me, Windows 98 or Windows 95 OSR2, continue with Step 10.

If you will be installing the MPEG-2 decoding software for Windows NT 4.0, go to “Step 12. Verifying device driver software for Windows NT 4.0” on page 1-9.

If you will be installing the MPEG-2 software for Windows 2000 go to “Step 13. Installing the MPEG-2 Decoding software for Windows NT 4.0 and Windows 2000” on page 1-10.

## Step 10. Enabling Direct Memory Access in Windows 98, Windows 95 OSR2, or Windows ME

Before you install the MPEG-2 decoding software, be sure that the direct memory access (DMA) of your DVD-RAM drive has been enabled in Windows 98, Windows 95 OSR2, or Windows Me, otherwise the video and audio playback quality might be poor.

To enable DMA for Windows 98, Windows 95 OSR2, or Windows Me, do the following:

1. Click **Start**.
2. Select **Settings**.
3. Click **Control Panel**.
4. Double-click **System**.
5. Click the **Device Manager** tab.
6. Double-click **CD-ROM**.
7. Select the DVD-RAM device in the menu display.
8. Click **Properties**.
9. Click the **Settings** tab to view the DMA option in the Options window.
10. Select the check box next to DMA.



11. Click **OK**.
12. Click **OK** again.
13. Click **Close**.
14. Restart your computer to enable the DMA of your DVD-RAM drive.

## **Step 11. Installing the MPEG-2 Decoding software for Windows 98, Windows 95 OSR2, or Windows Me.**

**Note:** Before installing MPEG-2 decoding software, be sure to read “Changing the DVD region code” on page 1-17 to familiarize yourself with the region-code concept.

To install the MPEG-2 Decoding software for Windows 98, Windows 95 OSR2, or Windows Me, do the following:

1. Close any programs that are running.
2. Insert the MPEG-2 decoding software CD into your DVD-RAM drive.
3. If the Installation window opens automatically, go to step 8. Otherwise, continue with step 4.
4. Click **Start**.
5. Click **Run**.
6. Type `e:\SETUP.EXE`, where `e` is the drive letter for your DVD-RAM drive.
7. Click **OK**.
8. Follow the on-screen instructions to complete the installation.
9. Restart Windows. The installation is complete.

For information on using MPEG-2 decoding software, go to “Using the DVD-RAM drive with CDs and DVDs” on page 1-15.

## **Step 12. Verifying device driver software for Windows NT 4.0**

If you are using Windows NT 4.0, refer to the documentation that comes with your computer to determine if the IDE controller on your computer supports DMA transfers.

If your computer IDE controller does not support DMA transfers, you must go to the Web site for the manufacturer of the system board in your computer, and download and install the Windows NT 4.0 DMA device driver, using instructions that are provided on the Web site.

The following is a list of manufacturer Web sites that contain Windows NT 4.0 DMA device drivers for system boards:

- IBM: <http://www.ibm.com>
- Intel: <http://www.intel.com>
- VIA: <http://via.com.tw>
- ALi: <http://ali.com.tw>

Refer to the documentation that comes with your computer for information on other system-board manufacturers.

When you have located the Windows NT 4.0 DMA device driver recommended by your system board manufacturer, download and extract it to a directory on your hard drive. For more directions, go to “Step 14. Enabling DMA for Windows NT 4.0” on page 1-10.

## **Step 13. Installing the MPEG-2 Decoding software for Windows NT 4.0 and Windows 2000**

**Note:** Before installing MPEG-2 Decoding software, be sure to read “Changing the DVD region code” on page 1-17 to familiarize yourself with the region-code concept.

To install the MPEG-2 Decoding software for Windows NT 4.0, do the following:

1. Close any programs that are running.
2. Insert the MPEG-2 Decoding software CD into your DVD-RAM drive.
3. If the Installation window opens, go to step 4. Otherwise, continue with step 4. If the installation window does not open, double-click **My Computer**, double-click the CD-ROM drive icon; then double-click the **Setup** icon.
4. Follow the on-screen instructions to complete the installation.
5. Restart Windows.
6. If you have Windows NT use instructions given in “Step 14. Enabling DMA for Windows NT 4.0” to enable DMA in Windows NT 4.0, or your video and audio playback might be poor.
7. If you have Windows 2000, use instructions given in “Step 15. Enabling DMA for Windows 2000 systems” on page 1-12.

## **Step 14. Enabling DMA for Windows NT 4.0**

**Note:** Before enabling DMA for Windows NT 4.0, be sure to read “Step 12. Verifying device driver software for Windows NT 4.0” on page 1-9 to determine if your computer can perform this upgrade procedure. If you do not perform this procedure correctly, your operating system might lock up. Therefore, be sure to build an Emergency Repair Disk before you use the following upgrade instructions. If you are not familiar with the procedure for building an Emergency Repair Disk, press F1 to obtain instructions from the Windows NT online help.

**Note:** Be sure that your Windows NT 4.0 operating system has the latest Service Pack for Windows NT that is provided by Microsoft. Refer to the documentation that comes with your computer to determine if there is

an Intel chipset in your computer. For more information on installing Windows NT Service Packs, visit the Microsoft Web site at <http://www.microsoft.com>.

To enable DMA in Windows NT 4.0, do the following:

1. Log on as an administrator.
2. Disable the CD-ROM device driver using the following instructions:
  - a. Double-click **My Computer**.
  - b. Click **Start**.
  - c. Select **Settings**.
  - d. Click **Control Panel**.
  - e. Double-click **Devices**.
  - f. Select the **ATAPI** device.
  - g. Click **Startup**.
  - h. Click **Disabled**; then click **OK**. Disregard displayed warnings.
  - i. Select the **PIIXIDE** device.
  - j. Click **Startup**.
  - k. Click **Disabled**; then click **OK**. Disregard displayed warnings.
  - l. Select the **ATAPI** device.
  - m. Click **Startup**.
  - n. Click **Disabled** and then click **OK**. Disregard displayed warnings.
3. Upgrade the CD-ROM device driver using the following instructions:
  - a. Double-click **My Computer**.
  - b. Click **Start**.
  - c. Select **Settings**.
  - d. Click **Control Panel**.
  - e. Double-click **SCSI adapters**.
  - f. Click the **Drivers** tab.
  - g. Select the **IDE CD-ROM** device driver; then click **Remove** and **Yes**.
  - h. Click **Add**.
  - i. Browse to the directory that was created in Step 12 (page 1-9) when you visited the Web site for the system board manufacturer.
  - j. Select the system board manufacturer device driver and click **Open**. The SCSI adapter will now be identified by your system board manufacturer.
  - k. Click **OK**.
  - l. Click **OK**.
  - m. Click **Yes** to restart your computer. If your computer starts properly, you have successfully completed the installation of the DMA device drivers.

If your computer fails to start properly, go to the next step.

- n. During the start process, select the **Last Known Good** option. If you are unfamiliar with this technique, refer to the documentation that comes with your Windows NT operating system or go to the Microsoft Web site at <http://www.microsoft.com> for online help.
- o. If your computer still does not start after following the procedure in the previous step, use the Emergency Repair Disk you created in the beginning of Step 14 on page 1-10 to restore the computer to a working state.

---

## Step 15. Enabling DMA for Windows 2000 systems

To enable DMA for Windows 2000, do the following:

1. Click **Start**, move cursor to Settings and click **Control Panel**.
2. Double-click **System**.
3. Click the **Hardware** tab.
4. Click the **Device Manager** button.
5. Click on the **IDE ATA/ATAPI** controller to open out the tree.
6. Click on the device that corresponds to the controller where your DVD-RAM is located (**Primary IDE** or **Secondary IDE**).
7. Click the **Advanced Settings** tab.
8. Select the **Transfer Mode** pulldown menu and select **DMA** if available.
9. Click **OK**.
10. Click **Close** to close the **System Properties** window. A message appears informing you that the system settings have changed.
11. Click **OK** to restart the system.

---

## Using the DVD-RAM drive

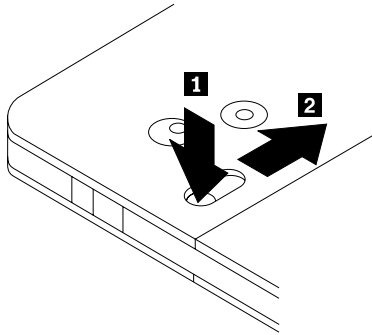
This section contains information on using the DVD-RAM drive.

### Write protecting the cartridge

DVD-RAM cartridges can be write protected to prevent accidental loss of data.

1. Insert the tip of a ball point pen into the hole located in the "Protect" slot of the cartridge **1** and push the slider towards the top of the cartridge **2** to

protect the media.



2. Reverse the procedure to enable writing on the media again.

### Using single- and double-sided DVD-RAM media

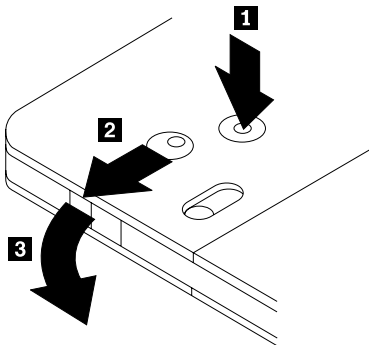
DVD-RAM media is available in single-sided and double-sided versions.

2.6 GB and 4.7 GB versions are single-sided and are available in Type I or Type II cartridges. 5.2 GB and 9.4 GB versions are double-sided and are available in Type II cartridges. To access the data on both sides of the media, you must remove the cartridge from the drive, turn it over, and re-insert it in the drive. For convenience, double-sided cartridges are labeled side A and side B.

### Removing the disc from the cartridge

DVD-RAM Type II discs may be removed from the cartridge for use in DVD-ROM drives.

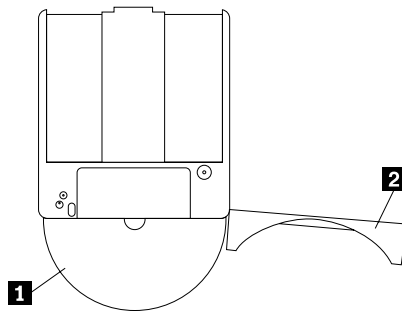
### Removing the disc from the cartridge



Using the tip of a ball point pen, push and break the lock pin tab **1**. To remove the disc, use a ball point pen to push down on the cartridge lid lock **2** and pull the cartridge lid **3** out to eject the disc. With the cartridge lid

open the disc will eject. **Do not touch the recording side of the disc when handling the bare media.**

## Returning the disc to the cartridge



To return the disc to the cartridge, align the label side of disc **1** with the DVD-RAM cartridge label side. Insert the disc and close the cartridge lid **2**. A clicking sound will ensure the lid door is closed.

### Precautions for handling

Be careful when handling the removed disc. Debris, dust particles, fingerprints, smears, or scratches may effect and damage recording and playback of the disc. To clean dust or other debris use a CD Cleaning Kit. Use a soft, dry cloth to clean the disc. Do not use solvents to clean the disc surface. When labeling a disc, write only on the printed label side using a soft felt-tip marker. Keep out of direct sunlight, high temperatures, and humidity. Do not attach labels to either side of the disc.

---

## Using the DVD-RAM drive with CDs and DVDs

To read a data disc, do the following:

1. Turn on the computer.
2. Press the Open/Close button on the front of the DVD-RAM drive.
3. Insert the disc or cartridge in the tray with the label facing up.
4. Close the tray by pressing the Open/Close button or by gently pushing in the loading tray.

**Attention:** Do not use force or insert foreign objects to open the loading tray.

5. Wait for the DVD-RAM drive busy indicator to stop lighting; then double-click **My Computer**.
6. Verify that the CD-ROM or DVD-RAM icon is displayed.
7. Double-click the CD-ROM or DVD-RAM icon.
8. Verify that you can view the disc files on the displayed list.

### Securing a disc in a vertically mounted drive

The DVD-RAM drive has two plastic clips near the front of the loading tray that must be lifted up to secure a bare disc for vertical mounting operation. To raise the clips, open the tray, remove any discs that might be present, and push the clips up using the side tabs by pushing from the underside of the tray.

To insert the disc, slide it forward against the spring-loaded tray until the disc clears the front tabs, and then allow the spring to slide the disc back under the tabs.

To remove the disc, slide it forward against the spring until it clears the front tabs and lift it from the tray.

**Note:** If you insert a DVD-RAM cartridge, you will have to raise the clips again before inserting a bare disc in the vertical orientation.

### **Manually ejecting a disc**

If the drive becomes defective and will not allow the disc to eject, turn off the computer and straighten a large paper clip to form a tool. The straightened end must extend at least 45 mm (1.8 in.). Insert the extended end into the emergency eject hole on the front of the drive (see "Front view of the drive" on page 1-3). Push the paper clip until the tray opens. Gently pull out the tray until you can remove the disc.

### **Using the MPEG-2 decoding software**

This section describes how to use and customize the MPEG-2 decoding software. You can find current information on MPEG-2 decoding software in the readme file on the MPEG-2 decoding software CD.



## Changing the DVD region code

**Attention:** Regionalization and Copy Protection (the DVD region code) uses the content scramble system (CSS) standard to prevent unauthorized duplication of the intellectual property rights distributed on DVDs. It was originally requested by the Motion Picture Association of America (MPAA) to address video piracy, but is applicable to any content. CSS works by inhibiting the transmission of unencrypted data without proper authorization. Playback systems must license CSS to decode the encrypted data.

The CSS specification divides the world into seven unique regions. Content designated for one region cannot be read by playback systems in another region. While CSS is used to prevent digital copies of the DVD content, another technology devised by Macrovision is used to prevent analog copies of the DVD content. The Macrovision standard is a scrambling system that has been widely used by the movie industry to prevent unauthorized duplication of video content using commercial VCRs. DVD playback systems must support both CSS and Macrovision copy protection standards.

If you relocate to a different region of the world, you can use the MPEG-2 Decoding software to change the region code.

**Note:** You can change the DVD region code only five times. After you make five region code changes, the drive can play only MPEG-2 video titles that are associated with the fifth region code that you set.

To change the region code, do the following:

1. Turn on your computer and start your operating system.
2. Click **Start**.
3. Select **Programs**.
4. Click **MPEG-2 Decoding Software**.
5. Click the **Properties** icon to open the Properties window.
6. Click the **General Properties** tab.
7. Select the correct region code for your country.
8. Click **OK** so that changes take effect.

---

## Care and maintenance

This section includes information on taking care of your DVD-RAM drive and the CDs and DVDs that you use with the drive.

## Caring for a CD or DVD

Digital discs are high-density media that must be handled with care and kept clean to ensure that they remain readable. The following precautions help to prolong the life of your discs.

**Attention:** Wiping a disc using a circular motion can damage the disc and cause data loss.

- Handle the disc by the edges or the center hole. Do not touch the surface of the disc.
- To remove dust or fingerprints, wipe the disc from the center to the edge with a soft, lint-free cloth.
- Do not write on the surface.
- Do not place the disc in direct sunlight.
- Do not use commercial cleaners to clean the disc.
- Do not bend the disc.

## Caring for the DVD-RAM drive

To protect your DVD-RAM drive during operation, observe the following precautions:

- Do not move the drive when it is in use. Doing so might cause data error or damage the drive.
- Avoid exposing the drive to the following conditions:
  - High humidity
  - High temperature
  - Excessive dust
  - Mechanical vibration
  - Sudden shock or dropping
  - Placement on an inclined surface
  - Direct sunlight
  - Sudden temperature changes
- Do not insert foreign objects into the drive.
- Do not stack objects on the drive.
- Do not remove the drive cover or attempt to service the drive.
- Remove any discs from the disc drawer and make sure that the drawer is closed before moving the drive unit.
- Keep the original packing materials. If you need to ship the drive unit to a different location, use the original packing materials to ensure that the drive is transported safely.

## Free Manuals Download Website

<http://myh66.com>

<http://usermanuals.us>

<http://www.somanuals.com>

<http://www.4manuals.cc>

<http://www.manual-lib.com>

<http://www.404manual.com>

<http://www.luxmanual.com>

<http://aubethermostatmanual.com>

Golf course search by state

<http://golfingnear.com>

Email search by domain

<http://emailbydomain.com>

Auto manuals search

<http://auto.somanuals.com>

TV manuals search

<http://tv.somanuals.com>