



# IBM 16X Max RAM-Read DVD-ROM Drive

---

*User's Guide*

**Note:** Before using this information and the product it supports, read the information under “Appendix E. Product warranty and notices” on page E-1.

**First Edition (April 2001)**

© **Copyright International Business Machines Corporation 2001. All rights reserved.**  
US Government Users Restricted Rights - Use, duplication or disclosure restricted by  
GSA ADP Schedule Contract with IBM Corp.

Download from [Www.Somanuals.com](http://Www.Somanuals.com). All Manuals Search And Download.

---

## Safety: read first

Before installing this product, read the Safety Information.

مج، يجب قراءة دات السلامة

Antes de instalar este produto, leia as Informações de Segurança.

在安装本产品之前，请仔细阅读 **Safety Information** (安全信息)。

Prije instalacije ovog produkta obavezno pročitajte Sigurnosne Upute.

Před instalací tohoto produktu si přečtěte příručku bezpečnostních instrukcí.

Læs sikkerhedsforskrifterne, før du installerer dette produkt.

Ennen kuin asennat tämän tuotteen, lue turvaohjeet kohdasta Safety Information.

Avant d'installer ce produit, lisez les consignes de sécurité.

Vor der Installation dieses Produkts die Sicherheitshinweise lesen.

Πριν εγκαταστήσετε το προϊόν αυτό, διαβάστε τις πληροφορίες ασφάλειας (safety information).

לפני שתתקינו מוצר זה, קראו את הוראות הבטיחות.

A termék telepítése előtt olvassa el a Biztonsági előírásokat!

Prima di installare questo prodotto, leggere le Informazioni sulla Sicurezza.

製品の設置の前に、安全情報をお読みください。

본 제품을 설치하기 전에 안전 정보를 읽으십시오.

Пред да се инсталира овој продукт, прочитајте информацијата за безбедност.

Lees voordat u dit product installeert eerst de veiligheidsvoorschriften.

Les sikkerhetsinformasjonen (Safety Information) før du installerer dette produktet.

Przed zainstalowaniem tego produktu, należy zapoznać się z książką "Informacje dotyczące bezpieczeństwa" (Safety Information).

Antes de instalar este produto, leia as Informações sobre Segurança.

Перед установкой продукта прочтите инструкции по технике безопасности.

Pred inštaláciou tohto zariadenia si pečítajte Bezpečnostné predpisy.

Pred namestitvijo tega proizvoda preberite Varnostne informacije.

Antes de instalar este producto lea la información de seguridad.

Läs säkerhetsinformationen innan du installerar den här produkten.

安裝本產品之前，請先閱讀「安全資訊」。

---

# Contents

|  |            |
|--|------------|
| <b>Safety: read first</b> . . . . .  | <b>iii</b> |
| <b>About this book</b> . . . . .   | <b>vii</b> |
| Registering your option . . . . .  | vii        |
| <b>Installation and user's guide.</b> . . . . .  | <b>1-1</b> |
| Product description . . . . .  | 1-1        |
| Installation requirements. . . . .   | 1-1        |
| Before you begin . . . . .   | 1-2        |
| Handling precautions. . . . .  | 1-2        |
| Drive controls and connectors . . . . .  | 1-3        |
| Installing the drive. . . . .  | 1-4        |
| Step 1. Opening the computer . . . . .   | 1-4        |
| Step 2. Unpacking the drive . . . . .  | 1-4        |
| Step 3. Setting the configuration jumpers . . . . .  | 1-5        |
| Step 4. Mounting the drive in the bay . . . . .  | 1-6        |
| Step 5. Attaching the cables to the drive . . . . .  | 1-6        |
| Step 6. Completing the hardware installation . . . . .   | 1-7        |
| Step 7. Setting up your computer for DVD video playback . . . . .  | 1-8        |
| Enabling the DMA settings . . . . .  | 1-8        |
| Step 8. Installing the MPEG Decoding Software . . . . .  | 1-8        |
| Viewing a DVD movie . . . . .  | 1-9        |
| DVD region codes . . . . .   | 1-9        |
| Using the DVD-RAM Read function . . . . .  | 1-10       |
| Care and maintenance . . . . .   | 1-11       |
| Caring for a CD or DVD . . . . .   | 1-11       |
| Caring for the DVD-ROM drive . . . . .   | 1-12       |
| Manually ejecting a disc . . . . .   | 1-12       |
| <b>Appendix A. Product specifications</b> . . . . .  | <b>A-1</b> |
| <b>Appendix B. Problem solving</b> . . . . .   | <b>B-1</b> |
| <b>Appendix C. Customizing the device-driver configuration settings</b> . . . . .                          | <b>C-1</b> |
| Changing the Windows 95, Windows 98, Windows Me, and Windows NT<br>device drivers . . . . .                | C-1        |
| Changing the Auto Insert Notify and DMA parameters for Windows 95,<br>Windows 98, and Windows Me . . . . . | C-1        |
| Changing the Windows 2000 DMA parameter setting . . . . .  | C-1        |
| Enabling DMA for Windows NT 4.0. . . . .   | C-2        |
| <b>Appendix D. Help and service information.</b> . . . . .   | <b>D-1</b> |

|   |            |
|---|------------|
| Warranty information on the World Wide Web . . . . .        | D-1        |
| Online technical support . . . . .                          | D-1        |
| Telephone technical support . . . . .                       | D-1        |
| <b>Appendix E. Product warranty and notices . . . . .</b>   | <b>E-1</b> |
| IBM Statement of Limited Warranty . . . . .                 | E-1        |
| Part 1 - General Terms . . . . .                            | E-1        |
| Part 2 - Country-unique Terms . . . . .                     | E-4        |
| Trademarks. . . . .   | E-12       |
| Federal Communications Commission (FCC) statement . . . . . | E-13       |

---

## About this book

This manual contains instructions for installing and using the IBM® 16X Max RAM-Read DVD-ROM. The manual is divided into the following parts:

### Part 1: Installation and user's guide

This guide contains the product description and installation instructions in the following languages:

- English
- French
- Spanish
- Italian
- Brazilian Portuguese
- Traditional Chinese
- Japanese

### Part 2: Appendixes

This section contains device-driver, problem-solving, help and service, warranty, and notice information.

**Note:** The illustrations in this manual might be slightly different from your hardware.

---

## Registering your option

Thank you for purchasing this IBM product. Please take a few moments to register your product and provide us with information that will help IBM to better serve you in the future. Your feedback is valuable to us in developing products and services that are important to you, as well as in developing better ways to communicate with you. Register your option on the IBM Web site at

<http://www.ibm.com/pc/register>

IBM will send you information and updates on your registered product unless you indicate on the Web site questionnaire that you do not want to receive further information.





---

## Installation and user's guide

This section contains the product description, hardware and software installation instructions, and operating information for the IBM® 16X Max RAM-READ DVD-ROM Drive.

---

### Product description

This option package is intended for multimedia applications. The drive comes with a CD containing MPEG-2 decoding software for Microsoft® Windows® 98, Windows 95, Microsoft Windows 2000 Professional, Microsoft Windows NT® 4.0 Workstation, and Microsoft Windows Millennium Edition (Me).

In addition to this guide, your option package includes the following:

- One IBM 16X Max DVD-ROM Drive
- One package of four mounting screws (M3 x 5-mm, slotted)
- One IDE cable
- One audio "Y" cable
- One MPEG-2 decoding software CD
- One laser safety guide

Contact your place of purchase if an item is missing or damaged. Be sure to retain your proof of purchase; it might be required to receive warranty service. See "Appendix D. Help and service information" on page D-1 for technical support information.

Your drive can read many DVD and CD formats, including DVD video, DVD-RAM, video CD, and audio CD formats. However, you must install the included MPEG-2 decoding software to play video files. The drive also reads multiple-session, extended architecture (XA) discs, such as the Kodak Photo CD. This drive delivers data at up to 40 times the standard CD-ROM drive speed (40X), for CD-ROM and CD-R media. This drive delivers data at up to 16 times the standard DVD-ROM drive speed (16X) for DVD media. This drive is designed for installation in a personal computer that uses integrated drive electronics (IDE) or enhanced IDE (EIDE) architecture.

---

### Installation requirements

Be sure that your computer meets the following system requirements before installing the drive:

- Minimum microprocessor: Intel® Pentium® 133MHz or Intel Pentium II 233MHz if you will be using the MPEG-2 decoding software
- Minimum RAM: 32 MB

- Windows 98, Windows 95 OSR2, Windows 2000, Windows NT 4.0, or Windows Me operating system
- An available drive bay
- An available IDE connection
- 40 MB available hard disk space
- Audio adapter supporting 44.1 or 48 kHz sampling rate
- Optional stereo speakers
- AGP 2X video with overlay support for MPEG-2 decoding software

---

## Before you begin

Before you install the DVD-ROM drive, read the information in this section on handling precautions and on using the drive controls and connectors.

### Handling precautions

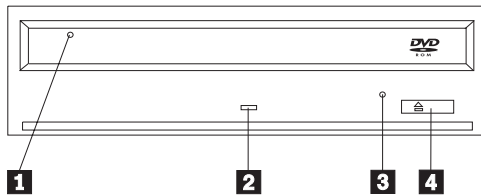
Use the following handling precautions to protect your drive.

- Keep the DVD-ROM drive in the antistatic bag until you are ready to install the drive. Limit your movement when installing; movement can cause static electricity buildup.
- Handle the drive with care. Dropping or jarring the drive can damage the components inside the drive housing.
- Do not force insertion of the IDE or power cables. Doing so might damage the connector or the drive.

## Drive controls and connectors

The following diagrams show the location and functions of the drive controls and connectors.

### Front view of the drive



#### **1** Disc drawer

This drawer is where you load and unload a disc.

#### **2** Busy indicator

This light comes on when the drive reads from, or plays a disc.

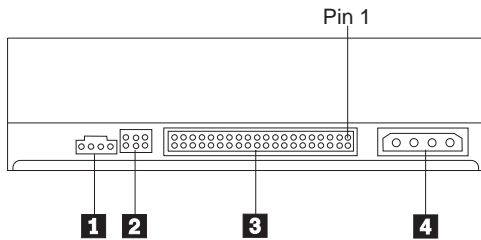
#### **3** Emergency eject hole

This hole provides access to the eject mechanism to remove a disc from the drive.

#### **4** Open/Close button

This button opens and closes the disc drawer when you push it.

## Rear view of the drive



### **1** Audio-out connector

This connector transmits the analog audio signals to an audio adapter.

### **2** Configuration pins

These pins are used to set the drive configuration.

### **3** IDE port

This connects the DVD-ROM drive to the IDE cable.

### **4** Power connector

This connects the DVD-ROM drive to the power cable.

---

## Installing the drive

Follow these steps to install the DVD-ROM drive:

### Step 1. Opening the computer

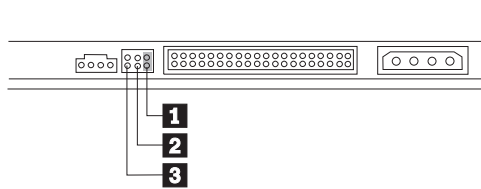
1. Turn off the computer and all attached devices.
2. Unplug all power cords from the computer and all attached devices.
3. Remove the cover from the computer. Refer to your computer documentation for instructions on removing the computer cover.

### Step 2. Unpacking the drive

1. Before opening the antistatic bag that the drive is packed in, touch the bag to an unpainted metal surface for at least two seconds. This drains the static electricity from the package and your body.
2. Remove the drive from the bag.

If you must put the drive down, place the antistatic bag on a flat, padded surface, such as a magazine, and place the drive on the antistatic bag.

### Step 3. Setting the configuration jumpers



You can configure your drive as master **1**, slave **2**, or cable-select **3**, as shown.

Use the following guidelines to determine the correct configuration for your DVD-ROM drive.

- Configure the DVD-ROM drive as a master if it will be the only device that is connected to an IDE cable. This is the preset configuration.
- Configure the DVD-ROM drive as a slave if it will be the second device on an IDE cable. Be sure to configure the other device as a master. In some cases, a hard disk drive might require a “master with slave present” jumper setting when another device on the same cable is configured as a slave. For more information on setting configuration jumpers on other devices, refer to the documentation that comes with your computer device.
- Some non-IBM computers use special ATA cables with two wires reversed in the device connectors so that the drives can be configured by the cable instead of by jumper position. Use the cable-select position only for computers that are equipped with these special cables. See the documentation that comes with your computer to determine if your ATA adapter requires that you place the jumpers in the cable-select position.

If you place the jumpers in the cable-select position, the IDE cable automatically assigns the master and slave settings based on the position of the drive on the cable. You must use the cable-select setting for this cabling system whether the DVD-ROM drive is the only device or the second device connected to the cable. The drive closest to the IDE controller is automatically the master drive. Any other devices on the IDE cable must also be set to cable-select.

## Step 4. Mounting the drive in the bay

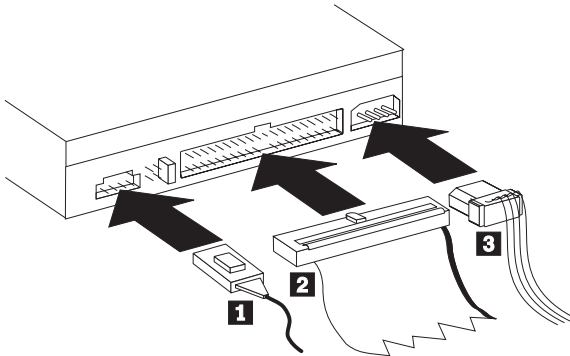
**Attention:** Be sure to use the mounting screws in the option package when you are driving screws directly into the drive. Using screws that are too long might damage the drive.

You can mount the DVD-ROM drive horizontally or vertically in the computer. If you mount the drive vertically, you must secure any discs that you place into the drive before the drive tray is closed, or the DVD-ROM drive will not be able to read the disc properly.

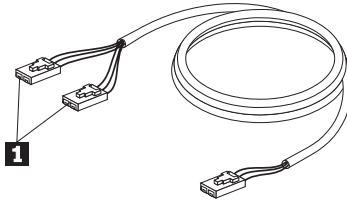
1. Slide the drive into the bay. Your computer might have specific required procedures for installing storage devices. For more information on storage devices, refer to the documentation that comes with your computer.
2. Align the drive-bay screw holes with the threaded holes in the drive housing or mounting bracket.
3. Thread the screws in loosely to check their position. Two screws are usually used on each side. Verify that the alignment is correct; then tighten the screws to secure the drive. Do not overtighten.

## Step 5. Attaching the cables to the drive

The following diagram shows where to connect the cables to the drive.



The following is an illustration of the internal audio cable that comes with your option package.



1. The internal audio cable has a split-connector end and a single-connector end. Connect one of the split-connector ends **1** to the audio-out connector on the DVD-ROM drive. If you have another CD-ROM, CD-RW or DVD-ROM drive, attach the other split-connector end to the audio-out connector on this drive. Attach the single-connector end to your sound card.
2. Attach a 40-pin IDE-cable connector **2** to the IDE connector on the drive. Align the cable so that the color-coded edge is closest to the power cable connector **3**. Use the IDE cable that is provided with this option if there is no cable attached to the IDE port. The IDE cable can have up to three connectors. For the best signal quality when you are connecting only one device to the IDE cable, connect one end of the cable to the IDE port, and connect the other end of the cable to the device. Do not use the middle connector. Use the IDE cable that is provided with this option if there is no cable attached to the computer IDE port, or if there is only one device connector on the computer IDE cable.

If you are connecting two devices to the IDE cable, connect one end of the cable to the IDE port, and connect the master and slave devices to the remaining connectors on the other end. Many computers have two cables for attaching up to four ATA devices. For best performance, attach fast devices (hard disk drives) to the cable that is connected to the primary IDE port, and connect the DVD-ROM drive or other slower devices (CD-ROM drives, tape drives, removable media) to the cable that is connected to the secondary IDE port.

3. Attach a four-pin power cable **3** to the power connector on the DVD-ROM drive.

Be sure that the cables will not be pinched or crowded by the computer cover and that all other cable and power connections are secure.

## Step 6. Completing the hardware installation

1. Be sure that the DVD-ROM drive is securely mounted and that the connectors are firmly attached.
2. Be sure that the cables do not interfere with the computer cover, and that they do not block the power-supply fan blades or airflow paths.

3. Reinstall the computer cover.
4. Reconnect all external devices.
5. Plug all power cords into the wall outlets.

### **What to do next**

If you will be using the drive as a data-only DVD-ROM drive, or as a CD-ROM drive, you have completed the installation and do not need to install support software. For more information on maintaining your drive, see “Care and maintenance” on page 1-11.

## **Step 7. Setting up your computer for DVD video playback**

This section provides instructions on enabling DMA settings so you can play DVD movies with your DVD-ROM drive.

### **Enabling the DMA settings**

Check the operating system for your computer. Instructions for enabling DMA are included in “Appendix C. Customizing the device-driver configuration settings” on page C-1.

1. Click **Start**, then click **Settings**, and then click **Control Panel**.
2. Double-click **System**.

Read the version number under System.

- If your version number is 4.00.950B or 4.00.95C, follow the instructions under “Changing the Auto Insert Notify and DMA parameters for Windows 95, Windows 98, and Windows Me” on page C-1.
- If your version number is 5.00.2195, follow the instructions under “Changing the Windows 2000 DMA parameter setting” on page C-1.
- If your version number is 4.00.1381, follow the instructions under “Enabling DMA for Windows NT 4.0” on page C-2.

## **Step 8. Installing the MPEG Decoding Software**

To install the MPEG-2 Decoding software do the following:

1. Close any programs that are running.
2. Insert the MPEG-2 decoding software CD into your DVD-ROM drive.
3. If the Installation window opens automatically, go to Step 8. Otherwise, continue with Step 4.
4. Click **Start**.
5. Click **Run**.
6. Type X:\DVDPLAYR\SETUP.EXE, where X is the drive letter for your DVD-ROM drive.
7. Click **OK**.
8. Follow the on-screen instructions to complete the installation.



---

## Viewing a DVD movie

After you install the DVD-ROM drive, configure DMA, and install DVD-viewing software, you can view a DVD movie.

DVD Express will start automatically when you insert a DVD. If you want to start DVD Express manually, follow these instructions:

1. Click **Start**, then click **Programs**, and then click **Mediamatics DVD Express**.
2. Click **Mediamatics DVD Player**.

The DVD movie player window appears. For more information on how to use the DVD movie player, refer to the DVD Express online help by pressing F1.

## DVD region codes

Regional coding helps protect the contents of a DVD. The world is divided into six regions. Specific content can be viewed only in the region where it is appropriate. For example, the content for Region 1 (U.S. and Canada) can be viewed only in the U.S. and Canada. You can verify the region code of the DVD by looking at the region code symbol on the back of the content packaging.

| Region code | Region   |
|-------------|--|
| 1           | U.S., Canada                                   |
| 2           | Europe, Middle East, South Africa, Japan       |
| 3           | Southeast Asia, Taiwan, Korea                  |
| 4           | Latin America, Australia, New Zealand          |
| 5           | Former Soviet Union, the rest of Africa, India |
| 6           | People's Republic of China                     |

You will be prompted for the initial region selection. If you insert a DVD with a different region code than the initial region code, DVD Express will ask if you want to change the region code setting. You can change the region code from your initial setting up to four times after setting the initial region code. After the region code has been changed from its initial setting four times, it is fixed and can no longer be changed. To change the region code, an encrypted DVD of the new region must be in the DVD-ROM drive.

To display the region code status, follow these instructions:

1. In the DVD Express windows, click **DVD Options**.
2. Click **DVD Region**.

## Using the DVD-RAM Read function

This section contains information on using the DVD-ROM drive with DVD-RAM discs.

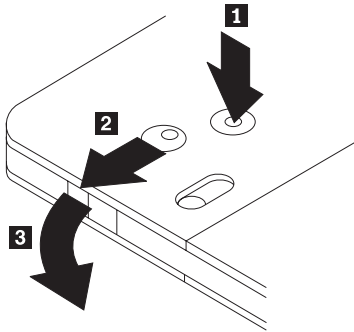
### Using single-and double-sided DVD-RAM media

DVD-RAM media is available in single-sided and double-sided versions. Versions with 2.6 GB and 4.7 GB are available in Type I or Type II cartridges. The 5.2 GB and 9.4 GB versions are double-sided and only available in Type I cartridges.

### Removing the disc from the cartridge

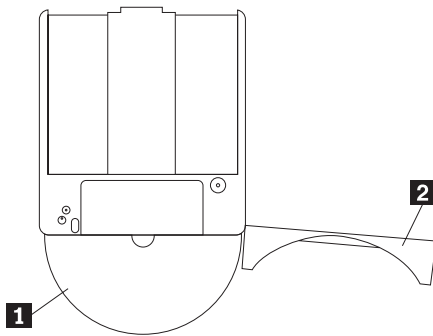
DVD-RAM Type II discs may be removed from the cartridge for use in DVD-ROM drives, with DVD-RAM Read capabilities. To access the data on both sides of the media, you must remove the disc from the drive, turn it over, and re-insert it into the drive, for convenience, double-sided media are labeled side A and side B. DVD-RAM Type I discs cannot be removed from the cartridge and cannot be read by this drive.

### Removing the disc from the Type II cartridge



Using the tip of a ball point pen, push and break the lock pin tab **1**. To remove the disc, use a ball point pen to push down on the cartridge lid lock **2** and pull the cartridge lid **3** out to eject the disc. With the cartridge lid open the disc will eject. **Do not touch the recording side of the disc when handling the bare media.**

## Returning the disc to the Type II cartridge



To return the disc to the Type II cartridge, align the label side of the disc **1** with the DVD-RAM cartridge label side. Insert the disc and close the cartridge lid **2**. A clicking sound will ensure the lid door is closed.

### Precautions for handling

Be careful when handling the removed disc. Debris, dust particles, fingerprints, smears, or scratches may effect and damage recording and playback of the disc. To clean dust or other debris use a CD Cleaning Kit. Use a soft, dry cloth to clean the disc. Do not use solvents to clean the disc surface. When labeling a disc, write only on the printed label side using a soft felt-tip marker. Keep out of direct sunlight, high temperatures, and humidity. Do not attach labels to either side of the disc.

---

## Care and maintenance

This section includes information on taking care of your DVD-ROM drive and the CDs and DVDs that you use with the drive.

### Caring for a CD or DVD

Digital discs are high-density media that must be handled with care and kept clean to ensure that they remain readable. The following precautions help to prolong the life of your discs.

**Attention:** Wiping a disc using a circular motion can damage the disc and cause data loss.

- Handle the disc by the edges or the center hole. Do not touch the surface of the disc.
- To remove dust or fingerprints, wipe the disc from the center to the edge with a soft, lint-free cloth.
- Do not write on the surface.
- Do not place the disc in direct sunlight.
- Do not use commercial cleaners to clean the disc.

- Do not bend the disc.

## **Caring for the DVD-ROM drive**

To protect your DVD-ROM drive during operation, observe the following precautions:

- Do not move the drive when it is in use. Doing so might cause data error or damage the drive.
- Avoid exposing the drive to the following conditions:
  - High humidity
  - High temperature
  - Excessive dust
  - Mechanical vibration
  - Sudden shock or dropping
  - Placement on an inclined surface
  - Direct sunlight
  - Sudden temperature changes
- Do not insert foreign objects into the drive.
- Do not stack objects on the drive.
- Do not remove the drive cover or attempt to service the drive.
- Remove any discs from the disc drawer and make sure that the drawer is closed before moving the drive unit.
- Keep the original packing materials. If you need to ship the drive unit to a different location, use the original packing materials to ensure that the drive is transported safely.

## **Manually ejecting a disc**

If a drive becomes defective and will not allow the disc to eject, turn off the computer and straighten a large paper clip to form a tool. The straightened end must extend at least 45 mm (1.8 in.). Insert the extended end into the emergency eject hole on the front of the drive (see “Front view of the drive” on page 1-3). Push the paper clip until the tray opens. Gently pull out the tray until you can remove the disc.

---

## Guide d'installation et d'utilisation

Cette section comporte la description du produit, les instructions d'installation matérielle et logicielle et les informations d'utilisation pour l'unité de DVD-ROM IBM 16X Max avec lecture de DVD-RAM.

---

### Description de produit

Cette option est destinée aux applications multimédia. L'unité est fournie avec un CD contenant des logiciels de décodage MPEG-2 pour Microsoft Windows 98, Windows 95, Microsoft Windows 2000 Professionnel, Microsoft Windows NT 4.0 Workstation et Microsoft Windows Millennium Edition (Me).

Outre ce guide, l'option contient :

- Une unité de DVD-ROM IBM 16X Max
- Quatre vis de montage (M3 x 5 mm, à tête fendue)
- Un câble IDE
- Un câble audio "Y"
- Un CD de logiciels MPEG-2
- Un manuel de consignes de sécurités relatives à l'utilisation des lasers

Prenez contact avec le lieu d'achat du produit si un élément manque ou est endommagé. Conservez votre preuve d'achat ; elle vous sera peut-être demandée pour bénéficier des services de garantie. Reportez-vous à l'«Annexe D. Help and service information» à la page D-1 pour plus d'informations sur l'assistance technique.

L'unité peut lire de nombreux formats de DVD et de CD, y compris les DVD vidéo, DVD-RAM, CD vidéo et CD audio. Cependant, vous devez installer les logiciels MPEG-2 fournis pour lire les fichiers vidéo. L'unité peut également lire les disques multi-sessions à architecture étendue (XA), comme les CD Photo Kodak. Elle transmet les données à une vitesse pouvant aller jusqu'à 40 fois celle des unités de CD-ROM standard (40X) pour les supports CD-ROM et CD-R. Elle transmet les données à une vitesse pouvant aller jusqu'à 16 fois celle des unités de CD-ROM standard (16X) pour les supports DVD. Elle est conçue pour être installée sur un ordinateur personnel utilisant l'architecture IDE (integrated drive electronics) ou EIDE (enhanced IDE).

---

### Configuration minimale

Assurez-vous que votre ordinateur dispose des éléments suivants avant d'installer l'unité :

- Microprocesseur : Intel Pentium 133 MHz, ou Intel Pentium II 233 MHz si vous désirez utiliser les logiciels de décompression MPEG-2

- Mémoire RAM minimale : 32 Mo
- Système d'exploitation Windows 98, Windows 95 OSR2, Windows 2000, Windows NT 4.0 ou Windows Me
- Une baie d'unité disponible
- Une connexion IDE disponible
- 40 Mo d'espace disponible sur le disque dur
- Une carte audio prenant en charge une fréquence d'échantillonnage de 44,1 ou 48 kHz
- Des haut-parleurs stéréo (facultatif)
- Une carte vidéo AGP 2X avec prise en charge de fonds de page pour les logiciels MPEG-2

---

## Avant de commencer

Avant d'installer l'unité de DVD-ROM, lisez les informations de cette section sur les précautions de manipulation et l'utilisation des boutons et des connecteurs de l'unité.

### Précautions pour la manipulation

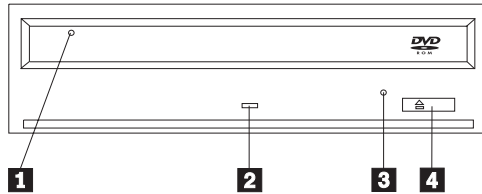
Pour protéger l'unité, respectez les précautions suivantes :

- Conservez l'unité de DVD-ROM dans sa pochette antistatique jusqu'au moment de l'installation. Limitez les mouvements pendant l'installation, car ceux-ci provoquent une accumulation d'électricité statique.
- Manipulez l'unité avec soin. Si vous faites tomber l'unité ou qu'elle subit des secousses, les composants internes peuvent être endommagés.
- N'insérez pas les câbles IDE ou les cordons d'alimentation en force. Cela peut endommager le connecteur ou l'unité.

## Boutons de contrôle et connecteurs de l'unité

Le schéma suivant présente l'emplacement et les fonctions des boutons de contrôle et des connecteurs de l'unité.

### Vue avant



#### **1** Plateau du disque

Permet l'insertion ou le retrait du disque.

#### **2** Voyant d'activité

Ce voyant s'allume lorsque l'unité lit un disque.

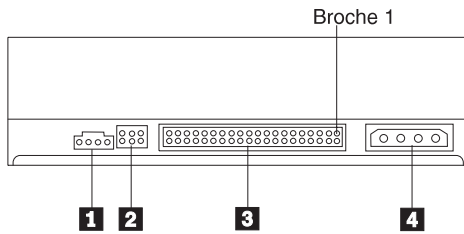
#### **3** Orifice d'éjection d'urgence

Fournit l'accès au dispositif d'éjection pour retirer un disque.

#### **4** Bouton d'ouverture/fermeture

Permet d'ouvrir et de refermer le plateau.

## Vue arrière



### **1** Connecteur de sortie audio

Ce connecteur transmet les signaux audio analogiques à une carte audio.

### **2** Broches de configuration

Ces broches servent à configurer l'unité.

### **3** Port IDE

Ce port permet de connecter l'unité de DVD-ROM à un câble IDE.

### **4** Connecteur d'alimentation

Permet de connecter l'unité de DVD-ROM au cordon d'alimentation.

---

## Installation de l'unité

Pour installer l'unité de DVD-ROM, procédez comme suit :

### Etape 1. Ouverture de l'ordinateur

1. Mettez l'ordinateur hors tension et tous les périphériques qui y sont connectés.
2. Débranchez tous les cordons d'alimentation de l'ordinateur et des périphériques connectés.
3. Retirez le carter de l'ordinateur. Pour plus d'informations, reportez-vous à la documentation de l'ordinateur.

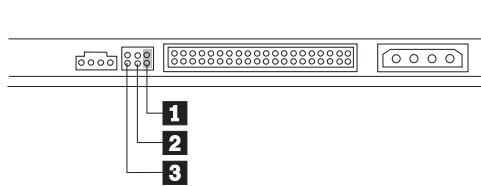
### Etape 2. Déballage de l'unité

1. Avant d'ouvrir la pochette antistatique contenant l'unité, mettez la pochette en contact avec une surface métallique non peinte pendant au moins deux secondes afin de décharger l'électricité statique présente sur l'emballage.
2. Retirez l'unité de la pochette.



Si vous devez poser l'unité, posez-la par dessus la pochette antistatique, sur une surface plane et souple, par exemple un magazine.

### Etape 3. Positionnement des cavaliers de configuration



Vous pouvez configurer l'unité comme unité maître **1**, esclave **2** ou en position sélection par câble **3**, comme indiqué. Les emplacements

Suivez les conseils ci-après pour déterminer la configuration correcte pour votre unité de DVD-ROM.

- Configurez l'unité DVD-ROM comme unité maître si elle doit être le seul périphérique connecté sur le câble IDE. Il s'agit de la configuration par défaut.
- Configurez l'unité de DVD-ROM comme unité esclave si elle doit être le deuxième périphérique connecté sur le câble IDE. Veillez à configurer l'autre périphérique comme maître. Dans certains cas, un disque dur peut requérir un positionnement de cavalier "maître avec esclave" lorsqu'un autre périphérique configuré comme esclave est connecté au même câble. Pour plus d'informations sur le positionnement des cavaliers de configuration des autres périphériques, reportez-vous à la documentation qui les accompagne.
- Certains ordinateurs non IBM utilisent des câbles ATA spéciaux avec deux fils inversés dans les connecteurs pour que les unités puissent être configurées par le câble plutôt que par la position du cavalier. Utilisez la position sélection par câble uniquement pour les ordinateurs équipés de ces câbles spéciaux. Reportez-vous à la documentation fournie avec l'ordinateur pour déterminer si votre carte ATA nécessite de placer les cavaliers sur la position sélection par câble.

Si vous placez les cavaliers sur la position sélection par câble, le câble IDE attribue automatiquement la valeur maître et esclave selon la position de l'unité sur le câble. Utilisez la valeur sélection par câble pour ce système de câblage, que l'unité de DVD-ROM soit le seul périphérique sur le câble ou le second. L'unité la plus proche du contrôleur IDE est automatiquement l'unité maître. Tous les autres périphériques sur le câble IDE doivent également être positionnés sur sélection par câble.

## Etape 4. Montage de l'unité dans la baie

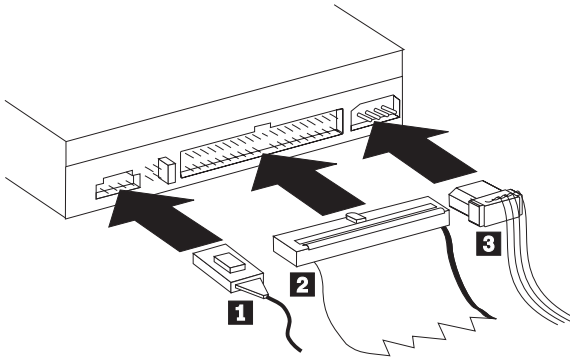
**Avertissement :** Veillez à utiliser les vis de fixation de l'option lorsque vous les vissez directement sur l'unité. L'utilisation de vis trop longues peut endommager l'unité.

Vous pouvez monter l'unité de DVD-ROM horizontalement ou verticalement dans l'ordinateur. Si vous la montez verticalement, vous devez fixer les disques que vous insérez dans l'unité avant de refermer le plateau, sinon l'unité de DVD-ROM ne pourra pas lire le disque correctement.

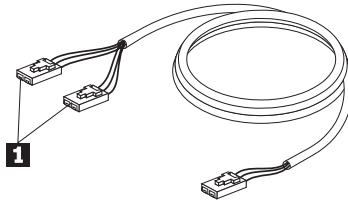
1. Faites glisser l'unité dans la baie. Des procédures spécifiques peuvent être nécessaires pour installer des périphériques de stockage. Pour plus d'informations, reportez-vous à la documentation fournie avec l'ordinateur.
2. Alignez les orifices de vissage de la baie sur les orifices taraudés du boîtier de l'unité ou de la patte de fixation.
3. Serrez légèrement les vis pour assurer leur position. Chaque côté comporte généralement deux vis. Vérifiez que l'alignement est correct, puis serrez les vis, sans forcer, pour fixer l'unité.

## Etape 5. Connexion des câbles à l'unité

Le schéma suivant montre où connecter les câbles à l'unité.



Voici une illustration du câble audio interne fourni avec l'option.



1. Le câble audio interne dispose d'une extrémité à double connecteur et d'une extrémité à simple connecteur. Connectez un des connecteurs de l'extrémité double **1** à la sortie audio de l'unité de DVD-ROM. Si vous disposez d'une autre unité de CD-ROM, CD-RW ou de DVD-ROM, connectez l'autre connecteur de l'extrémité double à la sortie audio de cette unité. Connectez le connecteur de l'extrémité simple à la carte audio.
2. Connectez le connecteur 40 broches du câble IDE **2** au connecteur IDE de l'unité. Positionnez le câble afin que le côté portant le code couleur soit le plus proche du connecteur d'alimentation **3**. Utilisez le câble IDE fourni avec cette option si aucun câble n'est connecté au port IDE. Le câble IDE peut comporter jusqu'à trois connecteurs. Pour une meilleure qualité de signal lorsque vous ne connectez qu'une seule unité au câble IDE, insérez une extrémité du câble dans le port IDE et connectez l'autre extrémité sur le périphérique. N'utilisez pas le connecteur central. Utilisez le câble IDE fourni avec cette option si aucun câble n'est connecté au port IDE de l'ordinateur ou si le câble IDE de l'ordinateur ne comporte qu'un seul connecteur de périphérique.

Si vous connectez deux périphériques au câble IDE, connectez une extrémité au port IDE, et les unités maître et esclave sur les autres connecteurs. De nombreux ordinateurs disposent de deux câbles pour connecter jusqu'à quatre unités ATA. Pour de meilleures performances, connectez les unités rapides (disques durs) sur le câble connecté au port IDE principal et connectez l'unité de DVD-ROM ou d'autres unités lentes (unités de CD-ROM, unités de bande ou de support amovible) au câble connecté au port IDE secondaire.

3. Connectez un cordon d'alimentation à quatre broches **3** au connecteur d'alimentation de l'unité de DVD-ROM.

Veillez à ce que les câbles ne soient pas écrasés ou tassés par le carter de l'ordinateur et que tous les autres câbles et cordons d'alimentation soient correctement branchés.

## Etape 6. Fin de l'installation matérielle

1. Assurez-vous que l'unité de DVD-ROM est correctement montée et que les connecteurs sont fermement insérés.

2. Vérifiez que les câbles ne sont pas gênés par le carter de l'ordinateur et qu'ils ne bloquent pas les pales du ventilateur du bloc d'alimentation ni la circulation de l'air.
3. Remettez en place le carter de l'ordinateur.
4. Reconnectez tous les périphériques externes.
5. Branchez tous les cordons d'alimentation sur les prises murales.

### Étapes suivantes

Si vous souhaitez utiliser l'unité comme DVD-ROM de données uniquement ou comme unité de CD-ROM, l'installation est terminée et vous n'avez pas besoin d'installer le logiciel de support. Pour plus d'informations sur l'entretien de l'unité, reportez-vous à la section «Entretien» à la page 1-24.

## Étape 7. Configuration de l'ordinateur pour la lecture de DVD vidéo

Cette section fournit des instructions sur l'activation des paramètres DMA pour permettre la lecture des films DVD avec votre unité de DVD-ROM.

### Activation des paramètres DMA

Vérifiez le système d'exploitation de l'ordinateur. Les instructions concernant l'activation des paramètres DMA se trouvent à l'«Annexe C. Customizing the device-driver configuration settings» à la page C-1.

1. Cliquez sur **Démarrer**, puis cliquez sur **Paramètres**, et enfin sur **Panneau de configuration**.
2. Cliquez deux fois sur **Système**.  
Lisez le numéro de version sous **Système**.
  - Si le numéro de version est 4.00.950B ou 4.00.95C, suivez les instructions de la section «Changing the Auto Insert Notify and DMA parameters for Windows 95, Windows 98, and Windows Me» à la page C-1.
  - Si le numéro de version est 5.00.2195, suivez les instructions de la section «Changing the Windows 2000 DMA parameter setting» à la page C-1.
  - Si le numéro de version est 4.00.1381, suivez les instructions de la section «Enabling DMA for Windows NT 4.0» à la page C-2.

## Étape 8. Installation des logiciels de décompression MPEG

Pour installer les logiciels MPEG-2, procédez comme suit :

1. Fermez tous les programmes en cours de fonctionnement.
2. Insérez le CD des logiciels de décompression MPEG-2 dans l'unité de DVD-ROM.
3. Si la fenêtre d'installation s'affiche automatiquement, passez à l'étape 8. Sinon, passez à l'étape 4.
4. Cliquez sur **Démarrer**.

5. Cliquez sur **Exécuter**.
6. Tapez X:\DVDPLAYR\SETUP.EXE, où X est la lettre de l'unité de DVD.
7. Cliquez sur **OK**.
8. Suivez les instructions qui s'affichent à l'écran.

---

## Visualisation d'un film DVD

Une fois l'unité de DVD-ROM installée, le mode DMA configuré et le logiciel de visualisation DVD installé, vous pouvez regarder un film DVD.

DVD Express démarre automatiquement lorsque vous insérez un DVD. Si vous souhaitez démarrer DVD Express manuellement, procédez comme suit :

1. Cliquez sur **Démarrer**, puis sur **Programmes**, et enfin sur **Mediamatics DVD Express**.
2. Cliquez sur **Mediamatics DVD Player**.

La fenêtre du lecteur de films DVD s'affiche. Pour plus d'informations sur l'utilisation du lecteur de films DVD, reportez-vous à l'aide en ligne de DVD Express en appuyant sur F1.

## Codes régionaux

Les codes régionaux permettent de protéger le contenu d'un DVD. Le monde est divisé en six régions. Un contenu spécifique ne peut être visualisé que dans la région où il est approprié. Par exemple, un DVD de la région 1 (Etats-Unis et Canada) n'est lisible qu'aux Etats-Unis et au Canada. Vous pouvez vérifier le code régional du DVD en consultant le symbole correspondant au dos de l'emballage du DVD.

| Code régional | Région   |
|---------------|--|
| 1             | Etats-Unis, Canada                                     |
| 2             | Europe, Moyen-Orient, Afrique du Sud, Japon            |
| 3             | Asie du Sud-Est, Taïwan, Corée                         |
| 4             | Amérique latine, Australie, Nouvelle-Zélande           |
| 5             | Ancienne Union soviétique, le reste de l'Afrique, Inde |
| 6             | République Populaire de Chine                          |

Un message vous invite à saisir le choix de région initial. Si vous insérez un DVD avec un code régional différent du code initial, DVD Express demande si vous souhaitez modifier le paramètre de code régional. Vous pouvez modifier le code régional par rapport à la valeur initiale jusqu'à quatre fois. Une fois que le code régional a été modifié quatre fois après la définition initiale, il est fixé et ne peut plus être modifié. Pour modifier le code régional, un DVD chiffré de la nouvelle région doit être inséré dans l'unité de DVD-ROM.

Pour afficher l'état du code régional, procédez comme suit :

1. Dans la fenêtre DVD Express, cliquez sur **DVD Options**.
2. Cliquez sur **DVD Region**.

## Utilisation de la fonction de lecture de DVD-RAM

La présente section contient les informations concernant l'utilisation de l'unité de DVD-ROM avec des disques DVD-RAM.

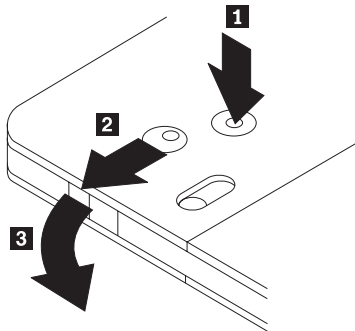
### Utilisation de supports DVD-RAM à simple et à double face

Les supports DVD-RAM existent en simple face et en double face. Les versions à 2,6 Go et 4,7 Go sont disponibles en cartouches de type I ou en cartouche de type II. Les versions 5,2 Go et 9,4 Go sont double face, et sont disponibles en cartouches de type I uniquement.

### Retrait du disque de la cartouche

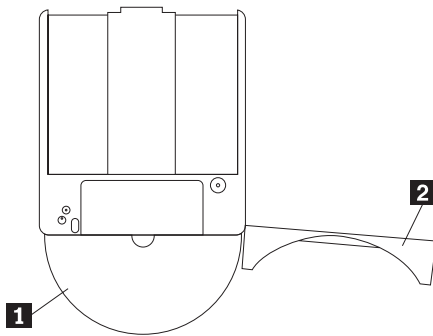
Les disques DVD-RAM de type II peuvent être retirés de leur cartouche pour être utilisés dans des unités de DVD-ROM disposant de la fonction de lecture de DVD-RAM. Pour avoir accès aux données des deux faces du support, vous devez retirer le disque de l'unité, le retourner puis le réinsérer dans l'unité. Pour une plus grande facilité d'emploi, les supports à double face sont étiquetés face A et face B. Les DVD-RAM de type I ne peuvent pas être retirés de leur cartouche et ne peuvent pas être lus dans cette unité.

### Retrait du disque d'une cartouche de type II



A l'aide de la pointe d'un stylo à bille, cassez le taquet de blocage **1** en appuyant dessus. Utilisez la pointe du stylo à bille pour abaisser le verrou du couvercle de la cartouche **2** et ouvrez le couvercle **3** pour éjecter le disque. Une fois le couvercle ouvert, le disque va s'éjecter. **Ne touchez pas la face d'enregistrement lorsque vous manipulez le disque à nu.**

## Remise en place du disque dans une cartouche de type II



Pour réinsérer le disque dans une cartouche de type II, faites correspondre le côté étiqueté du disque **1** avec le côté étiqueté de la cartouche. Insérez le disque et fermez le couvercle de la cartouche **2**. Vous devez entendre un clic qui vous indique que la cartouche est bien refermée.

### Précautions de manipulation

Soyez prudent lorsque vous manipulez un disque retiré de sa cartouche. Les débris, la poussière, les empreintes de doigts, les salissures et les égratignures peuvent gêner ou empêcher l'enregistrement ou la lecture du disque. Pour nettoyer le disque de la poussière ou d'autres débris, utilisez un kit de nettoyage de CD. Servez-vous d'un chiffon doux et sec. N'utilisez pas de solvant. Lorsque vous étiquetez un disque, écrivez uniquement du côté de l'étiquette, à l'aide d'un feutre à pointe souple. Évitez l'exposition à la lumière directe du soleil et aux températures élevées, et évitez l'humidité. N'étiquetez aucune face du disque.

---

## Entretien

Cette section comporte des informations sur l'entretien de l'unité de DVD-ROM et des CD et DVD utilisés avec celle-ci.

### Entretien d'un CD ou d'un DVD

Les disques numériques sont des supports de haute densité qui doivent être manipulés avec soin et conservés propres pour s'assurer qu'ils restent lisibles. Les précautions suivantes permettent de prolonger la vie de vos disques.

**Avertissement :** N'effectuez pas de mouvements circulaires lorsque vous essuyez le CD. Vous pourriez l'endommager et perdre des données.

- Tenez le disque par la tranche ou par le centre. Ne touchez pas la surface du disque.
- Pour retirer la poussière ou les traces de doigt, essuyez le disque en partant du centre vers les bords à l'aide d'un chiffon doux non pelucheux.

- N'écrivez pas sur le CD.
- Ne placez pas le disque à la lumière directe du soleil.
- N'utilisez pas de nettoyants du commerce sur le disque.
- Ne pliez pas le disque.

## Entretien de l'unité de DVD-ROM

Pour protéger l'unité de DVD-ROM pendant son utilisation, observez les précautions suivantes :

- Ne déplacez pas l'unité lorsqu'elle est en cours d'utilisation. Cela peut provoquer des erreurs de données ou endommager l'unité.
- N'exposez pas l'unité aux conditions suivantes :
  - Forte humidité
  - Températures élevées
  - Poussière excessive
  - Vibrations mécaniques
  - Choc brutal ou chute
  - Lumière directe du soleil
  - Brusques changements de température
- Ne placez pas l'unité sur une surface inclinée.
- N'insérez pas d'objets étrangers dans l'unité.
- Ne posez pas d'objets sur l'unité.
- Ne retirez pas le carter de l'unité et n'essayez pas de la réparer.
- Retirez tout disque du plateau et assurez-vous que celui-ci est refermé avant de déplacer l'unité.
- Conservez l'emballage d'origine. Si vous devez expédier l'unité sur un autre site, utilisez les emballages d'origine pour vous assurer que l'unité est transportée en toute sécurité.

## Ejection manuelle d'un disque

Si un l'unité est détériorée et refuse d'éjecter le disque, mettez l'ordinateur hors tension et redressez un grand trombone pour en faire un outil. L'extrémité redressée doit faire au moins 45 mm. Insérez l'extrémité dépliée dans l'encoche d'éjection manuelle située sur la face avant de l'unité (voir "vue avant" à la page 1-15). Enfoncez le trombone jusqu'à ce que le plateau s'ouvre. Tirez doucement sur le plateau jusqu'à ce que vous puissiez retirer le disque.



---

## Guía del usuario y de instalación

Esta sección contiene la descripción del producto, instrucciones de instalación del hardware y del software e información de operación para la Unidad de DVD-ROM RAM-READ Max 16X de IBM®.

---

### Descripción del producto

Este paquete de opción está pensado para aplicaciones multimedia. La unidad viene con un CD que contiene el software decodificador MPEG-2 para Microsoft® Windows® 98, Windows 95, Microsoft Windows 2000 Professional, Microsoft Windows NT® 4.0 Workstation y Microsoft Windows Millennium Edition (Me).

Además de esta guía, el paquete de opción incluye lo siguiente:

- Una Unidad de DVD-ROM Max 16X de IBM
- Cuatro tornillos de montaje (M3 x 5 mm, con ranura)
- Un cable IDE
- Un cable "Y" de audio
- Un CD de software de decodificación MPEG-2
- Una guía sobre seguridad de láser

Póngase en contacto con el establecimiento de compra si falta algún elemento o se observan daños. Conserve la prueba de compra; puede ser necesaria para disfrutar de la garantía. Consulte el "Apéndice D. Help and service information" en la página D-1 si desea obtener información sobre el soporte técnico.

La unidad puede leer muchos formatos de DVD y CD, incluyendo los formatos de DVD de vídeo, DVD-RAM, CD de vídeo y CD de audio. Sin embargo, para reproducir archivos de vídeo es necesario instalar el software MPEG-2 que se incluye. La unidad también lee discos de arquitectura ampliada (XA) de múltiples sesiones, como Kodak Photo CD. Esta unidad transfiere datos a un máximo de 40 veces la velocidad de una unidad de CD-ROM estándar (40X) para soportes de CD-ROM y CD-R. Esta unidad transfiere datos a un máximo de 16 veces la velocidad de una unidad de DVD-ROM estándar (16X) para soportes de DVD. Esta unidad está diseñada para ser instalada en un sistema personal que utilice arquitectura IDE (electrónica integrada de unidad) o EIDE (IDE ampliada).

---

## Requisitos de la instalación

Antes de instalar la unidad, asegúrese de que el sistema reúna los siguientes requisitos:

- Microprocesador mínimo: Intel® Pentium® de 133 MHz o Intel Pentium II de 233 MHz si va a utilizarse el software de decodificación MPEG-2
- RAM mínima: 32 MB
- Sistema operativo Windows 98, Windows 95 OSR2, Windows 2000, Windows NT 4.0 o Windows Me
- Una bahía de unidad disponible
- Una conexión IDE disponible
- 40 MB disponibles de espacio de disco duro
- Adaptador de audio que soporte una frecuencia de muestreo de 44,1 ó 48 kHz
- Altavoces estéreo opcionales
- Video AGP 2X con soporte de superposición para el software de decodificación MPEG-2

---

## Antes de empezar

Antes de instalar la unidad de DVD-ROM, lea la información de esta sección sobre las precauciones de manejo y sobre la utilización de los conectores y controles de la unidad.

## Precauciones de manejo

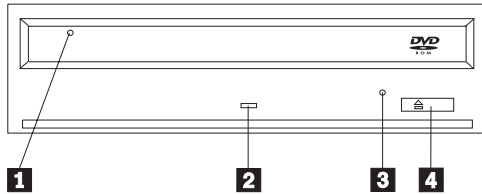
Tenga en cuenta las siguientes precauciones de manejo para proteger la unidad.

- Guarde la unidad de DVD-ROM en la bolsa antiestática hasta que todo esté preparado para instalarla. Limite los movimientos al instalar; éstos pueden ocasionar un aumento de la electricidad estática.
- Manipule la unidad con cuidado. Si la unidad cae o sufre sacudidas, pueden dañarse los componentes internos del alojamiento de la unidad.
- No fuerce la inserción de los cables IDE o de alimentación. Si se fuerza, puede dañarse el conector o bien la unidad.

## Controles y conectores de la unidad

Los diagramas siguientes muestran la ubicación y las funciones de los controles y conectores de la unidad.

### Vista frontal de la unidad



#### **1** Bandeja del disco

Esta bandeja es el lugar donde se carga y descarga el disco.

#### **2** Indicador de ocupado

Esta luz se enciende cuando la unidad lee o escribe en un disco, o cuando lo reproduce.

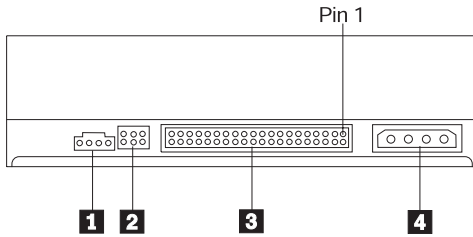
#### **3** Orificio de expulsión de emergencia

Este orificio proporciona acceso al mecanismo de expulsión para extraer un disco de la unidad.

#### **4** Botón de apertura/cierre

Al pulsarlo, este botón abre y cierra la bandeja del disco.

## Vista posterior de la unidad



### **1** Conector de salida de audio

Este conector transmite las señales análogas de audio a un adaptador de audio.

### **2** Patillas de configuración

Estas patillas se utilizan para establecer la configuración de la unidad.

### **3** Puerto IDE

Conecta la unidad de DVD-ROM al cable IDE.

### **4** Conector de alimentación

Conecta la unidad de DVD-ROM con el cable de alimentación.

---

## Instalación de la unidad

Siga estos pasos para instalar la unidad de DVD-ROM:

### Paso 1. Operación de abrir el sistema

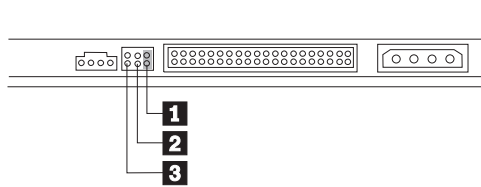
1. Apague el sistema y todos los dispositivos conectados.
2. Desenchufe todos los cables de alimentación del sistema y todos los dispositivos conectados.
3. Desmonte la cubierta del sistema. Consulte la documentación del sistema si necesita instrucciones sobre la extracción de la cubierta del sistema.

### Paso 2. Desembalaje de la unidad

1. Antes de abrir la bolsa antiestática donde se encuentra la unidad, ponga la bolsa en contacto con una superficie metálica no pintada durante un mínimo de dos segundos. Esto elimina la electricidad estática del paquete y del cuerpo del usuario.
2. Extraiga la unidad de la bolsa.

Si necesita soltar la unidad, coloque la bolsa antiestática sobre una superficie plana y aislante, como por ejemplo una revista, y coloque la unidad en la bolsa antiestática.

### Paso 3. Configuración de los puentes de configuración



Puede configurar la unidad como maestra **1**, esclava **2** o selección por cable **3**, tal como se muestra.

Utilice las siguientes directrices para determinar la configuración correcta de la unidad de DVD-ROM.

- Configure la unidad de DVD-ROM como maestra si va a ser el único dispositivo conectado a un cable IDE. Esta es la configuración preestablecida.
- Configure la unidad de DVD-ROM como esclava si va a ser el segundo dispositivo de un cable IDE. Asegúrese de configurar el otro dispositivo como maestro. En algunos casos, una unidad de disco duro puede requerir una configuración de puente “maestro con presencia de esclavo” cuando otro dispositivo del mismo cable está configurado como esclavo. Si desea obtener más información sobre el establecimiento de puentes de configuración en otros dispositivos, consulte la documentación que viene con el dispositivo del sistema.
- Algunos sistemas no IBM utilizan cables ATA especiales con dos cables invertidos en los conectores de dispositivo de modo que se puedan configurar las unidades según el cable y no según la posición del puente. Utilice la posición de selección por cable sólo para sistemas que estén equipados con estos cables especiales. Consulte la documentación que viene con el sistema para determinar si el adaptador ATA requiere la colocación de los puentes en la posición de selección por cable.

Si coloca los puentes en la posición de selección por cable, el cable IDE asigna automáticamente los valores de maestro y esclavo basándose en la posición de la unidad en el cable. Es necesario utilizar el valor de selección por cable para este sistema de cableado tanto si la unidad de DVD-ROM es el único dispositivo como si es el segundo dispositivo conectado al cable. La unidad más cercana al controlador IDE es automáticamente la unidad maestra. Cualquier otro dispositivo del cable IDE también se deberá establecer en selección por cable.

## Paso 4. Montaje de la unidad en la bahía

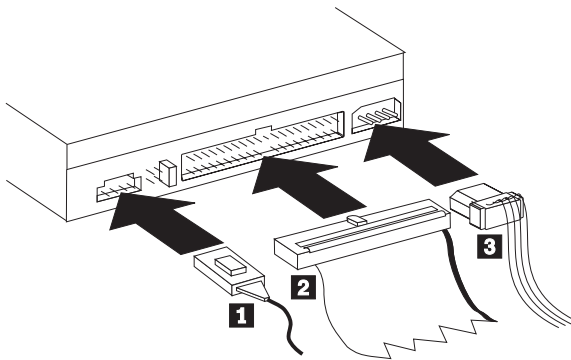
**Atención:** Asegúrese de utilizar los tornillos de montaje incluidos en el paquete de opción a la hora de fijar tornillos directamente en la unidad. Si utiliza tornillos demasiado largos, puede dañar la unidad.

La unidad de DVD-ROM se puede montar horizontalmente o verticalmente en el sistema. Si monta la unidad verticalmente, debe introducir bien los discos en la unidad antes de que se cierre la bandeja de la unidad o la unidad de DVD-ROM no podrá leer correctamente el disco.

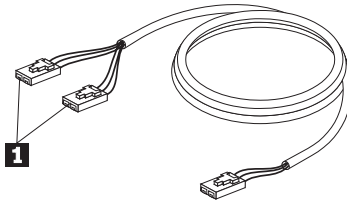
1. Deslice la unidad en la bahía. Es posible que el sistema requiera unos procedimientos específicos para la instalación de dispositivos de almacenamiento. Para obtener más información sobre dispositivos de almacenamiento, consulte la documentación que se suministra con el sistema.
2. Alinee los orificios de tornillo de la bahía de unidad con los orificios de rosca del alojamiento o de la pieza de sujeción de montaje de la unidad.
3. Enrosque los tornillos sin apretarlos para comprobar su posición. Normalmente se utilizan dos tornillos en cada lado. Verifique que la alineación sea correcta y, a continuación, apriete los tornillos para fijar la unidad. No los apriete demasiado.

## Paso 5. Conexión de los cables a la unidad

El diagrama siguiente muestra por dónde se conectan los cables a la unidad.



La siguiente ilustración muestra el cable de audio interno que viene con el paquete de opción.



1. El cable de audio interno dispone de un extremo con dos conectores (un conector dividido) y de otro extremo con un solo conector. Conecte el extremo que tiene dos conectores **1** al conector de salida de audio de la unidad de DVD-ROM. Si dispone de otra unidad de CD-ROM, CD-RW o DVD-ROM, conecte el otro extremo de conector dividido al conector de salida de audio de esta unidad. Conecte el extremo que tiene un solo conector a la tarjeta de sonido.
2. Conecte un conector de cable IDE de 40 patillas **2** al conector IDE de la unidad. Alinee el cable de manera que el borde con código de color sea el que quede más cerca del conector del cable de alimentación **3**. Utilice el cable IDE que se proporciona con esta opción si no hay ningún cable conectado al puerto IDE. El cable IDE puede tener hasta tres conectores. Para obtener una calidad de señal óptima al conectar sólo un dispositivo al cable IDE, conecte un extremo del cable al puerto IDE y conecte el otro extremo del cable al dispositivo. No utilice el conector del medio. Utilice el cable IDE que se proporciona con esta opción si no hay ningún cable conectado al puerto IDE del sistema o si sólo hay un conector de dispositivo en el cable IDE del sistema.

Si está conectando dos dispositivos al cable IDE, conecte un extremo del cable al puerto IDE y conecte los dispositivos maestro y esclavo a los conectores restantes del otro extremo. Muchos sistemas tienen dos cables para conectar un máximo de cuatro dispositivos ATA. Para obtener un rendimiento óptimo, conecte los dispositivos rápidos (unidades de disco duro) al cable que se conecta con el puerto IDE primario y conecte la unidad de DVD-ROM u otros dispositivos menos rápidos (unidades de CD-ROM, unidades de cinta, soportes extraíbles) al cable que se conecta con el puerto IDE secundario.

3. Conecte un cable de alimentación de cuatro patillas **3** al conector de alimentación de la unidad de DVD-ROM.

Asegúrese de que la cubierta del sistema no apriete ni atrape los cables y que todas las demás conexiones de alimentación y cables estén bien fijados.

## Paso 6. Finalización de la instalación de hardware

1. Asegúrese de que la unidad de DVD-ROM esté bien montada y de que los conectores estén conectados con firmeza.

2. Asegúrese de que los cables no impidan la correcta colocación de la cubierta del sistema y de que no bloqueen las alas del ventilador de la fuente de alimentación o las vías de flujo de aire.
3. Vuelva a instalar la cubierta del sistema.
4. Vuelva a conectar todos los dispositivos externos.
5. Enchufe todos los cables de alimentación en las tomas de red.

### **Qué hacer a continuación**

Si va a utilizar la unidad como unidad de DVD-ROM de sólo datos o como unidad de CD-ROM, ha completado la instalación y no es necesario instalar software de soporte. Para obtener más información sobre el mantenimiento de la unidad, consulte “Cuidados y mantenimiento” en la página 1-36.

## **Paso 7. Configuración del sistema para la reproducción de vídeo DVD**

Esta sección proporciona instrucciones sobre la habilitación de los valores DMA para poder reproducir películas DVD con la unidad de DVD-ROM.

### **Habilitación de los valores DMA**

Compruebe cuál es el sistema operativo del sistema. Las instrucciones para habilitar DMA se incluyen en “Apéndice C. Personalización de los valores de configuración de los controladores de dispositivo” en la página C-1.

1. Pulse **Inicio** y luego pulse **Configuración y Panel de control**.
2. Efectúe una doble pulsación sobre **Sistema**.

Lea el número de versión bajo Sistema.

- Si el número de versión es 4.00.950B o 4.00.95C, siga las instrucciones que se encuentran bajo “Cambio de los parámetros Notificación de autoinserción y DMA para Windows 95, Windows 98 y Windows Me” en la página C-1.
- Si el número de versión es 5.00.2195, siga las instrucciones que se encuentran bajo “Cambio del valor de parámetro DMA de Windows 2000” en la página C-1.
- Si el número de versión es 4.00.1381, siga las instrucciones que se encuentran bajo “Habilitación de DMA para Windows NT 4.0” en la página C-2.

## **Paso 8. Instalación del Software de decodificación MPEG**

Para instalar el software de decodificación MPEG-2, siga estos pasos:

1. Cierre todos los programas que se estén ejecutando.
2. Inserte el CD del software de decodificación MPEG-2 en la unidad de DVD-ROM.



3. Si la ventana de Instalación se abre automáticamente, vaya al Paso 8. En caso contrario, continúe con el Paso 4.
4. Efectúe una pulsación sobre **Inicio**.
5. Efectúe una pulsación sobre **Ejecutar**.
6. Escriba X:\DVDPLAYR\SETUP.EXE, donde X ies la letra de unidad de la unidad de DVD-ROM.
7. Efectúe una pulsación sobre **Aceptar**.
8. Siga las instrucciones de la pantalla para completar la instalación.

---

## Visualización de una película DVD

Después de instalar la unidad de DVD-ROM, configurar DMA e instalar el software de visualización de DVD, puede ver una película DVD.

DVD Express se iniciará automáticamente al insertar un DVD. Si desea iniciar DVD Express manualmente, siga estas instrucciones:

1. Pulse **Inicio** y luego pulse **Programas** y **Mediamatics DVD Express**.
2. Pulse **Reproductor DVD de Mediamatics (Mediamatics DVD Player)**.

Aparecerá la ventana de reproducción de películas DVD. Para obtener más información sobre cómo utilizar el reproductor de películas DVD, consulte la ayuda en línea de DVD Express pulsando F1.

## Códigos de región de DVD

La codificación regional ayuda a proteger el contenido de un DVD. El mundo se ha dividido en seis regiones. Determinado contenido sólo puede verse en la región donde es apropiado. Por ejemplo, el contenido para la Región 1 (E.E.U.U. y Canadá) puede verse sólo en los E.E.U.U. y en Canadá. Se puede verificar el código de región del DVD mirando el símbolo de código de región que se encuentra en la parte posterior del paquete que contiene el DVD.

| Código de región | Región   |
|------------------|--|
| 1                | E.E.U.U, Canadá                                    |
| 2                | Europa, Oriente medio, África del Sur, Japón       |
| 3                | Asia Sudoriental, Corea                            |
| 4                | América Latina, Australia, Nueva Zelanda           |
| 5                | Antigua Unión Soviética, el resto de África, India |
| 6                | República Popular de la China                      |

Se le solicitará la selección de la región inicial. Si inserta un DVD con un código de región distinto del código de región inicial, DVD Express le preguntará si desea cambiar el valor del código de región. Puede cambiar el código de región desde la configuración inicial un máximo de cuatro veces

después de establecer el código de región inicial. Después de cambiar cuatro veces el código de región después del valor inicial, éste queda fijo y ya no se podrá cambiar más. Para cambiarlo, debe haber un DVD cifrado de la nueva región en la unidad de DVD-ROM.

Para visualizar el estado del código de región, siga estas instrucciones:

1. En las ventanas de DVD Express, pulse **Opciones de DVD (DVD Options)**.
2. Pulse **Región DVD (DVD Region)**.

## Utilización de la función DVD-RAM Read

Esta sección contiene información acerca de la utilización de la unidad de DVD-ROM con discos DVD-RAM.

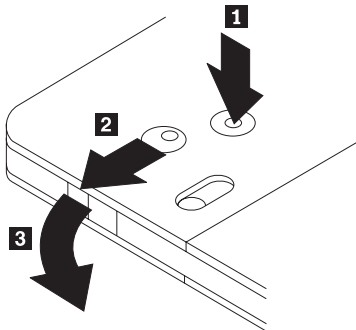
### Utilización de soportes DVD-RAM de una y dos caras

Los soportes DVD-RAM se encuentran disponibles en versiones de una y de dos caras. Las versiones de 2,6 GB y 4,7 GB se encuentran disponibles en cartuchos Type I o Type II. Las versiones de 5,2 GB y 9,4 GB tienen dos caras y sólo se encuentran disponibles en cartuchos Type I.

### Cómo extraer el disco del cartucho

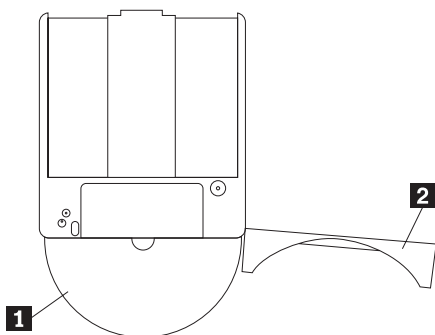
Los discos DVD-RAM Type II pueden extraerse del cartucho para utilizarlos en unidades de DVD-ROM con funciones DVD-RAM Read. Para acceder a los datos de ambas caras del soporte, deberá extraer el disco de la unidad, darle la vuelta y volver a insertarlo en la unidad. Para su comodidad, los soportes de dos caras llevan las etiquetas Cara A y Cara B. Los discos DVD-RAM Type I no pueden extraerse del cartucho ni pueden leerse en esta unidad.

### Cómo extraer el disco del cartucho Type II



Utilizando la punta de un bolígrafo, presione y rompa la pestaña de bloqueo **1**. Para extraer el disco, utilice un bolígrafo para presionar en sentido descendente la tapa de cierre del cartucho **2** y tire de la tapa del cartucho **3** para expulsar el disco. El disco se expulsará cuando la tapa del cartucho esté abierta. **No toque la cara grabada del disco si manipula directamente el soporte.**

## Cómo guardar el disco en el cartucho Type II



Para guardar el disco en el cartucho Type II, alinee la cara del disco que tiene la etiqueta **1** con la cara del cartucho DVD-RAM que también tiene la etiqueta. Inserte el disco y cierre la tapa del cartucho **2**. Se oirá un clic cuando la tapa se haya cerrado.

### Precauciones durante el manejo

Tenga cuidado cuando manipule el disco extraído. La suciedad, las partículas de polvo, las huellas digitales, las manchas y los arañazos pueden dañar la grabación y afectar a la reproducción del disco. Para limpiar el polvo y la suciedad, utilice un kit de limpieza de CD. Utilice un paño suave y seco para limpiar el disco. No utilice disolventes para limpiar la superficie del disco. Cuando etiquete un disco, escriba sólo sobre la cara que lleva la etiqueta impresa utilizando un rotulador de punta suave. Manténgalo alejado de la luz solar directa, de las temperaturas elevadas y de la humedad. No adhiera etiquetas en ninguna cara del disco.

---

## Cuidados y mantenimiento

Esta sección incluye información sobre cómo cuidar la unidad de DVD-ROM y los CD y DVD que utilice con la unidad.

### Cuidado de un CD o DVD

Los discos digitales son soportes de alta densidad que deben manejarse con cuidado y mantenerse limpios para asegurar que permanezcan legibles. Las precauciones siguientes serán de ayuda para prolongar la vida de los discos.

**Atención:** Si se frota un disco siguiendo movimientos circulares, se puede dañar el disco y ocasionar alguna pérdida de datos.

- Maneje el disco sujetándolo por los bordes o el orificio central. No toque la superficie del disco.
- Para eliminar polvo o huellas, frote el disco desde el centro hacia el borde con un paño suave y sin pelusa.

- No escriba sobre la superficie.
- No deje el disco bajo la luz solar directa.
- No utilice productos de limpieza para limpiar el disco.
- No doble el disco.

## **Cuidado de la unidad de DVD-ROM**

Para proteger la unidad de DVD-ROM durante el funcionamiento, tenga en cuenta las precauciones siguientes:

- No mueva la unidad cuando ésta esté en uso. Si lo hace puede ocasionar un error de datos o dañar la unidad.
- Evite la exposición de la unidad a las condiciones siguientes:
  - Alta humedad
  - Altas temperaturas
  - Polvo excesivo
  - Vibración mecánica
  - Sacudidas bruscas o caídas
  - Colocación en una superficie inclinada
  - Luz solar directa
  - Cambios súbitos de temperatura
- No inserte objetos extraños en la unidad.
- No apile objetos encima de la unidad.
- No extraiga la cubierta de la unidad ni intente arreglarla.
- Extraiga el disco de la bandeja, si lo hay, y asegúrese de que la bandeja se encuentre cerrada antes de mover la unidad.
- Guarde los materiales del empaquetado original. Si necesita enviar la unidad a otro sitio, utilice los materiales del empaquetado original para asegurar que la unidad se transporte con seguridad.

## **Expulsión manual de un disco**

Si la unidad tiene algún problema y no permite la expulsión del disco, apague el sistema y estire un clip para papeles grande para formar una herramienta. El extremo estirado debe tener una extensión mínima de 45 mm (1,8 pulgadas). Inserte el extremo extendido en el orificio de expulsión de emergencia que se encuentra en la parte frontal de la unidad (consulte “Vista frontal de la unidad” en la página 1-27). Empuje el clip hasta que se abra la bandeja. Tire de la bandeja con cuidado hasta que pueda extraer el disco.

---

## Guida per l'utente e all'installazione

Questa sezione contiene le istruzioni sull'installazione del software e sull'hardware, la descrizione del prodotto e le informazioni sul funzionamento del prodotto IBM® Unità DVD-RAM con lettura RAM a 16X.

---

### Descrizione del prodotto

Questo pacchetto di opzioni è previsto per le applicazioni multimediali. L'unità viene fornita con un CD contenente il software di decodifica MPEG-2 per Microsoft® Windows® 98, Windows 95, Microsoft Windows 2000 Professional, Microsoft Windows NT® 4.0 Workstation e Microsoft Windows Me (Millennium Edition).

Oltre a questa guida, il pacchetto di opzioni include quanto segue:

- Un'unità DVD-ROM a 16X IBM
- Un pacchetto di quattro viti di fissaggio (M3 x 5-mm, fissate)
- Un cavo IDE
- Un cavo "Y" audio
- Un CD del software di decodifica MPEG-2
- Una guida sulla sicurezza relativa al laser

Se un componente è mancante o danneggiato, contattare il punto di vendita. Conservare la ricevuta di acquisto per poter usufruire della garanzia. Per informazioni sul supporto tecnico, consultare la sezione "Appendice D. Informazioni sull'assistenza tecnica" a pagina D-1.

L'unità riesce a leggere diversi formati DVD e CD, inclusi i formati video DVD, DVD-RAM, CD video e CD audio. Tuttavia, è necessario installare il software di decodifica MPEG-2 incluso per riprodurre i file video. L'unità legge sessioni multiple, i dischi con struttura estesa (XA), quali, ad esempio, i CD fotografici Kodak. Questa unità distribuisce dati sino a 40 volte la velocità dell'unità CD-ROM standard (40X), CD-ROM e CD-R. Questa unità distribuisce dati sino a 16 volte la velocità dell'unità DVD-ROM standard (16X) e DVD. Questa unità è designata per l'installazione relativa ad elaboratori che utilizzano la struttura IDE (Integrated Drive Electronics) o EIDE (Enhanced IDE).

---

### Requisiti di installazione

Prima di installare l'unità verificare che l'elaboratore soddisfi i seguenti requisiti del sistema:

- Microprocessore minimo: Intel® Pentium® a 133 MHz o Intel Pentium II a 233 MHz se si utilizza il software di decodifica MPEG-2

- Memoria RAM minima: 32 MB
- Sistema operativo Windows 98, Windows 95 OSR2, Windows 2000, Windows NT 4.0 o Windows Me
- Un vano dell'unità disponibile
- Una connessione IDE disponibile
- Spazio del disco fisso disponibile 40 MB
- Adattatore audio che supporta una velocità di campionamento 44.1 o 48 kHz
- Altoparlanti stereo facoltativi
- Video AGP 2X con supporto della funzione di sovrapposizione per il software di decodifica MPEG-2

---

## Prima di iniziare

Prima di installare l'unità DVD-ROM, consultare le informazioni, contenute in questa sezione, sulle precauzioni per la manutenzione e sull'utilizzo dei connettori e dei controlli dell'unità.

## Precauzioni per la manutenzione

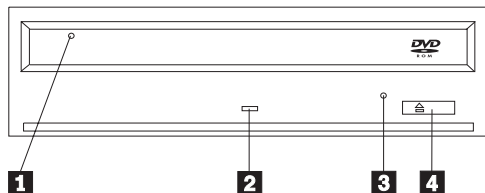
Per proteggere l'unità utilizzare le seguenti precauzioni per la manutenzione.

- Conservare l'unità DVD-ROM in un imballo antistatico fino a quando non si è pronti per effettuare l'installazione dell'unità. Limitare i movimenti durante l'installazione; il movimento può generare elettricità statica.
- Maneggiare l'unità con cura. Il trasporto o la caduta dell'unità può danneggiare i componenti interni.
- Non forzare l'inserimento dei cavi IDE o dei cavi di alimentazione. Operando in questo modo, è possibile danneggiare il connettore o l'unità.

## Connettori e controlli dell'unità

I seguenti diagrammi illustrano l'ubicazione e le funzioni dei connettori e dei controlli dell'unità.

### Vista anteriore dell'unità



#### **1** Cassetto del disco

Questo cassetto è il punto in cui viene caricato e scaricato un disco.

#### **2** Indicatore di segnale occupato

Questo indicatore si accende quando l'unità viene letta o riproduce un disco.

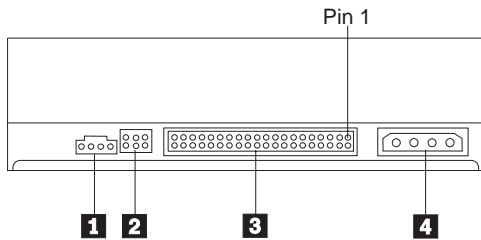
#### **3** Foro di espulsione manuale

Questo foro fornisce l'accesso al meccanismo di espulsione per rimuovere un disco dall'unità.

#### **4** Pulsante Apri/Chiudi

Questo pulsante apre e chiude il cassetto del disco quando viene esercitata una leggera pressione su di esso.

## Vista inferiore dell'unità



### **1** Connettore per emissione audio

Questo connettore trasmette i segnali audio analogici ad un adattatore audio.

### **2** Piedini di configurazione

Questi piedini sono utilizzati per impostare la configurazione dell'unità.

### **3** Porta IDE

Questa porta collega l'unità DVD-ROM al cavo IDE.

### **4** Connettore di alimentazione

Questo connettore collega l'unità DVD-ROM al cavo di alimentazione.

---

## Installazione dell'unità

Per installare l'unità DVD-ROM, seguire tale procedura:

### Passo 1. Apertura dell'elaboratore

1. Spegner l'elaboratore e tutte le unità collegate.
2. Scollegare tutti i cavi di alimentazione dall'elaboratore e tutte le unità collegate.
3. Rimuovere il coperchio dall'elaboratore. Per le istruzioni sulla rimozione del coperchio dell'elaboratore, consultare la documentazione relativa all'elaboratore.

### Passo 2. Disimballaggio dell'unità

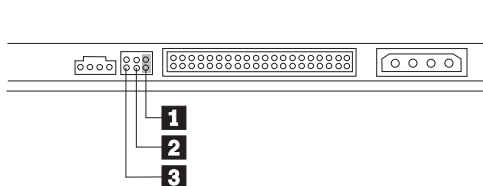
1. Prima di aprire l'imballo antistatico in cui è contenuta l'unità, mettere in contatto l'imballo con una superficie metallica per almeno due secondi. In questo modo, si riduce l'elettricità statica presente nell'involucro di protezione e nel proprio corpo.



## 2. Rimuovere l'unità dall'imballo.

Se è necessario poggiare l'unità, posizionare l'imballo antistatico su una superficie piana, come una rivista e posizionare l'unità sull'imballo antistatico.

## Passo 3. Impostazione dei cavallotti di configurazione



È possibile configurare l'unità come unità principale **1**, secondaria **2** o selezione del cavo **3**, come illustrata dalla figura.

Per determinare la corretta configurazione relativa all'unità DVD-ROM utilizzare le seguenti indicazioni.

- Configurare l'unità DVD-ROM come unità principale se essa è l'unica unità collegata ad un cavo IDE. Questa è la configurazione preimpostata.
- Configurare l'unità DVD-ROM come unità secondaria se è la seconda unità collegata ad un cavo IDE. Configurare l'altra unità come unità principale. In alcuni casi, è possibile che un'unità disco fisso richieda l'impostazione di cavallotto "principale con una seconda unità presente" quando un'altra unità, collegata allo stesso cavo, viene configurata come secondaria. Per ulteriori informazioni sull'impostazioni dei cavallotti di configurazione su altre unità, consultare la documentazione fornita con l'unità dell'elaboratore.
- Alcuni elaboratori non IBM utilizzano i cavi ATA speciali con due prese invertite nei connettori dell'unità in modo tale che le unità possono essere configurate dal cavo piuttosto che dalla posizione del cavallotto. Utilizzare la posizione di selezione del cavo solo per gli elaboratori che sono forniti con questi cavi speciali. Per determinare se l'adattatore ATA richiede l'inserimento dei cavallotti nella posizione di selezione del cavo, consultare la documentazione fornita con l'elaboratore.

Se i cavallotti vengono inseriti nella posizione di selezione del cavo, il cavo IDE assegna automaticamente le impostazioni principali e secondarie basate sulla posizione dell'unità sul cavo. È necessario utilizzare l'impostazione di selezione del cavo per il collegamento dei cavi del sistema se l'unità DVD-ROM è l'unica unità o l'unità secondaria collegata al cavo. L'unità più vicina all'unità di controllo IDE è automaticamente l'unità principale. È necessario impostare tutte le altre unità del cavo IDE come selezione del cavo.

## Passo 4. Fissaggio dell'unità nel vano

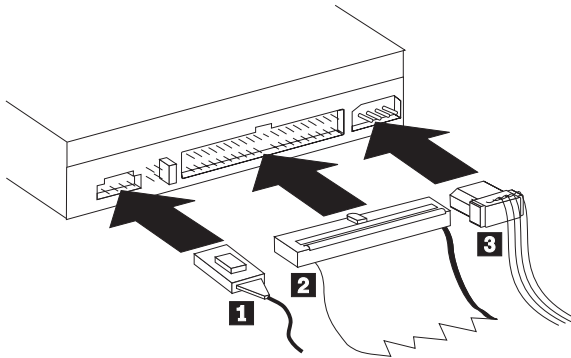
**Avvertenza:** Utilizzare le viti di fissaggio, comprese nel pacchetto di opzione quando si desidera installare le viti direttamente nell'unità. L'utilizzo delle viti troppo lunghe potrebbe danneggiare l'unità.

E' possibile fissare l'unità DVD-ROM orizzontalmente o verticalmente. Se si fissa l'unità verticalmente, è necessario collegare i dischi, inseriti nell'unità, prima di chiudere il vassoio dell'unità o l'unità DVD-ROM non riesce a leggere il disco correttamente.

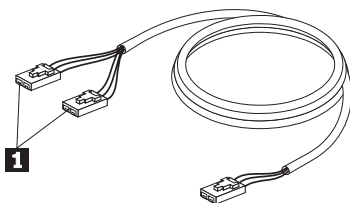
1. Far scorrere l'unità nel vano. L'elaboratore potrebbe disporre di specifiche procedure richieste per l'installazione delle unità di memoria. Per ulteriori informazioni sulle unità di memoria, consultare la documentazione fornita con l'elaboratore.
2. Allineare i fori delle viti tra il vano e l'unità con i fori filettati del supporto di fissaggio o dell'alloggiamento dell'unità.
3. Per verificare la corretta posizione, inserire le viti in maniera allentata. Di solito, due viti vengono utilizzate su ciascun lato. Verificare che l'allineamento sia corretto; quindi serrare le viti per fissare l'unità. Non serrare eccessivamente.

## Passo 5. Collegamento dei cavi all'unità

Il seguente diagramma illustra dove collegare i cavi all'unità.



Di seguito viene riportata un'illustrazione del cavo audio interno fornito con il pacchetto di opzioni.



1. Il cavo interno audio dispone di un'estremità del connettore duale ed un'estremità del connettore singolo. Collegare una delle estremità di un connettore duale **1** al connettore di emissione audio sull'unità DVD-ROM. Se si dispone di un'altra unità CD-ROM, CD-RW o DVD-ROM, collegare l'altra estremità del connettore duale al connettore di emissione audio di questa unità. Collegare l'estremità del connettore singolo alla scheda audio.
2. Collegare un connettore di cavo IDE a 40 piedini **2** al connettore IDE sull'unità. Allineare il cavo in modo tale che il margine colorato sia più vicino al connettore del cavo di alimentazione **3**. Utilizzare il cavo IDE fornito con questa opzione se non è presente alcun cavo collegato alla porta IDE. Il cavo IDE può disporre sino a tre connettori. Per una migliore qualità di segnale, quando si collega solo un'unità al cavo IDE, collegare un'estremità del cavo alla porta IDE e collegare l'altra estremità del cavo all'unità. Non utilizzare il connettore intermedio. Utilizzare il cavo IDE fornito con questa opzione se non è presente alcun cavo collegato alla porta IDE oppure se è presente solo un connettore dell'unità sul cavo IDE dell'elaboratore.

Se si collega due unità al cavo IDE, collegare un'estremità del cavo alla porta IDE e collegare le unità principale e secondaria ai connettori restanti all'altra estremità. Diversi elaboratori dispongono di due cavi per il collegamento sino a quattro unità ATA. Per ottenere migliori prestazioni, collegare l'unità veloce (unità disco fisso) al cavo collegato alla porta IDE primaria e collegare l'unità DVD-ROM o l'altra unità inferiore (unità CD-ROM, unità nastro, unità amovibili) al cavo collegato alla porta IDE secondaria.

3. Collegare un cavo di alimentazione a quattro piedini **3** al connettore di alimentazione dell'unità DVD-ROM.

Accertarsi che i cavi non siano schiacciati o raccolti dal coperchio dell'elaboratore e che tutte le altre connessioni di alimentazione e tutti gli altri cavi siano fissati correttamente.

## Passo 6. Completamento dell'installazione dell'hardware

1. Accertarsi che l'unità DVD-ROM sia fissata correttamente e che i connettori sia collegati correttamente.

2. Accertarsi che i cavi non intralcino il coperchio dell'elaboratore e che non blocchino la ventola dell'alimentatore o il canale del flusso d'aria.
3. Reinstallare il coperchio dell'elaboratore.
4. Ricollegare tutte le unità esterne.
5. Collegare tutti i cavi di alimentazione alle prese elettriche.

### **Operazioni necessarie**

Se si utilizza l'unità come un'unità DVD-ROM di soli dati o come unità CD-ROM, è stata completata l'installazione e non è necessario installare il software di supporto. Per ulteriori informazioni sulla gestione dell'unità, consultare la sezione "Manutenzione" a pagina 1-48.

## **Passo 7. Impostazione dell'elaboratore per la riproduzione video DVD**

Questa sezione fornisce le istruzioni sull'abilitazione delle impostazioni DMA in modo da poter riprodurre i filmati DVD con l'unità DVD-ROM.

### **Abilitazione delle impostazioni DMA**

Verificare il sistema operativo. Le istruzioni sull'abilitazione DMA sono contenute nella sezione "Appendice C. Personalizzazione delle impostazioni di configurazione del driver di periferica" a pagina C-1.

1. Fare clic su **Start**, quindi fare clic su **Impostazioni** e su **Pannello di controllo**.
2. Fare doppio clic su **Sistema**.

Leggere il numero della versione, contenuto nella finestra Sistema.

  - Se il numero della versione è 4.00.950B o 4.00.95C, seguire le istruzioni contenute nella sezione "Modifica della notifica di inserimento automatico e dei parametri DMA per Windows 95, Windows 98 e Windows Me" a pagina C-1.
  - Se il numero della versione è 5.00.2195, seguire le istruzioni contenute nella sezione "Modifica delle impostazioni di parametro DMA in Windows 2000" a pagina C-1
  - Se il numero della versione è 4.00.1381, seguire le istruzioni contenute nella sezione "Abilitazione del modo DMA per Windows NT 4.0" a pagina C-2.

## **Passo 8. Installazione del software di decodifica MPEG**

Per installare il software di decodifica MPEG-2, procedere nel modo seguente:

1. Chiudere tutti i programmi in esecuzione.
2. Inserire il CD del software di decodifica MPEG-2 nell'unità DVD-ROM.
3. Se viene visualizzata la finestra Installazione automaticamente, andare al Passo 8. In caso contrario, continuare con il Passo 4.

4. Fare clic su **Start/Avvio**
5. Fare clic su **Esegui**.
6. Immettere X:\DVDPLAYR\SETUP.EXE, dove X indica la lettera identificativa dell'unità DVD-ROM.
7. Fare clic su **OK**.
8. Seguire le istruzioni visualizzate per completare l'installazione.

---

## Visualizzazione di un filmato DVD

Una volta installata l'unità DVD-ROM, configurare DMA ed installare il software per la visualizzazione del filmato DVD, è possibile visualizzare un filmato DVD.

Quando viene inserito un DVD, DVD Express verrà avviato automaticamente. Se si desidera avviare DVD Express manualmente, seguire tali istruzioni:

1. Fare clic su **Start/Avvio**, quindi fare clic su **Programmi** e su **Mediamatics DVD Express**.
2. Fare clic su **Mediamatics DVD Player**.

Viene visualizzata la finestra relativa alla riproduzione del filmato DVD.

Per ulteriori informazioni sull'utilizzo del programma per la riproduzione del filmato DVD, consultare la guida in linea di DVD Express, premendo il tasto F1.

## Codice regione DVD

La codifica regionale consente di proteggere il contenuto di un filmato DVD.

Le nazioni di tutto il mondo sono divise in sei regioni. E' possibile visualizzare solo il contenuto specifico in relazione alla regione a cui appartiene a ciascuna nazione. Ad esempio, il contenuto della Regione 1 (che comprende Stati Uniti e Canada) possono essere visualizzati soltanto negli Stati Uniti e Canada. E' possibile verificare il codice della regione del filmato DVD controllando il simbolo del codice sul retro della confezione.

| Codice regione | Regione  |
|----------------|--|
| 1              | Stati Uniti, Canada                              |
| 2              | Europa, Medio Oriente, Sud Africa, Giappone      |
| 3              | Sud-est asiatico, Taiwan, Corea                  |
| 4              | America latina, Australia, Nuova Zelanda         |
| 5              | Ex Unione Sovietica, il resto dell'Africa, India |
| 6              | Repubblica popolare cinese                       |

Verrà richiesta la selezione della regione iniziale. Se viene inserito un filmato DVD con un diverso codice di regione rispetto a quello iniziale, DVD Express

richiede se si desidera modificare le impostazioni del codice regionale. E' possibile modificare il codice della regione dall'impostazione iniziale sino a quattro volte dopo l'impostazione del codice della regione iniziale. Una volta modificato il codice della regione dalle proprie impostazioni iniziali per quattro volte, viene regolato e non è possibile più modificarlo. Per modificare il codice della regione, è necessario che sia presente un DVD crittografato della nuova regione nell'unità DVD-ROM.

Per visualizzare lo stato del codice della regione, seguire tali istruzioni:

1. Nella finestra DVD Express, fare clic su **Opzioni DVD**.
2. Fare clic su **Regione DVD**.

## Utilizzo della funzione di lettura DVD-RAM

Questa sezione contiene le informazioni sull'utilizzo dell'unità DVD-ROM con i dischi DVD-RAM.

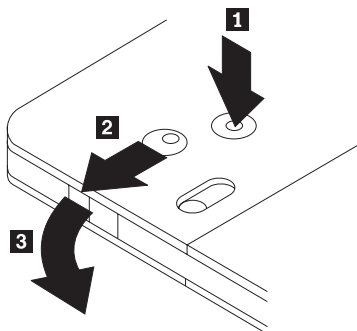
### Utilizzo di supporti DVD-RAM con singolo o doppio lato

Il supporto DVD-RAM è disponibile in versione lato singolo o doppio. Le versioni con 2,6 GB e 4,7 GB sono disponibili in cartucce Tipo I o Tipo II. Le versioni 5,2 GB e 9,4 GB dispongono di due lati e sono disponibili solo in cartucce Tipo I.

### Rimozione del disco dalla cartuccia

I dischi DVD-RAM Tipo II possono essere rimossi dalla cartuccia per essere utilizzati in unità DVD-ROM, con capacità di lettura DVD-RAM. Per accedere ai dati su entrambi i lati del supporto, è necessario rimuovere il disco dall'unità, capovolgerlo e reinserirlo nell'unità, ad esempio, lo strumento con doppio lato viene fornito con lato A e lato B. I dischi DVD-RAM Tipo I non possono essere rimossi dalla cartuccia e non possono essere letti da questa unità.

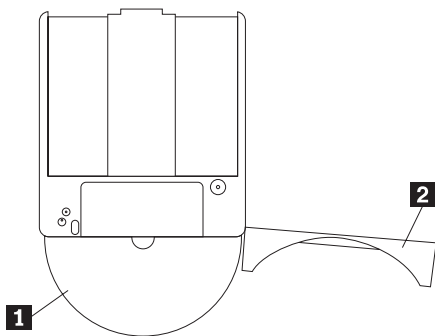
### Rimozione del disco dalla cartuccia Tipo II



Utilizzando la punta di una penna a sfera, spingere e bloccare il piedino **1**. Per rimuovere il disco, utilizzare la punta di una penna a sfera per spingere verso il basso il coperchio di chiusura della cartuccia **2** e staccare il coperchio

della cartuccia **3** per espellere il disco. Una volta aperto il coperchio della cartuccia, il disco può essere rimosso. **Non toccare il lato di registrazione del disco maneggiando il supporto senza copertura.** .

## Riposizionamento del disco nella cartuccia Tipo II



Per riposizionare il disco nella cartuccia Tipo II, allineare il lato dell'etichetta del disco **1** al lato dell'etichetta della cartuccia DVD-RAM. Inserire il disco e chiudere il coperchio della cartuccia **2**. L'emissione di un piccolo segnale acustico segnala la corretta chiusura della porta del coperchio.

### Precauzioni

Maneggiare con cura il disco durante la rimozione. Frammenti, polvere, particelle, impronti, impurità potrebbero danneggiare la registrazione e la riproduzione del disco. Per pulirlo utilizzare il kit di pulizia del CD. Utilizzare un panno morbido e asciutto per pulire il disco. Non utilizzare solventi per pulire la superficie del disco. Durante l'etichettatura del disco, scrivere solo sul lato dell'etichetta stampata utilizzando una pennarello con punta morbida. Tenere lontano dalla luce del sole diretta, dalle alte temperature e dall'umidità. Non attaccare etichette su entrambi i lati del disco.

---

## Manutenzione

Questa sezione include le informazioni sulla manutenzione dell'unità DVD-ROM e i CD e DVD utilizzati con l'unità.

### Manutenzione di un CD o DVD

I dischi digitali sono strumenti a densità elevata che devono essere gestiti con cura e pulizia appropriata in modo da essere leggibili. Le seguenti precauzioni consentono di prolungare la durata dei dischi.

**Avvertenza:** Muovendo il panno in senso circolare, potrebbe verificarsi la perdita dei dati.

- Afferrare il disco per le estremità o per il foro centrale. Non toccare la superficie del disco.

- Per rimuovere la polvere o le impronte, passare un panno morbido e pulito dall'interno verso l'esterno del disco.
- Non scrivere sulla superficie.
- Non collocare il disco alla luce diretta del sole.
- Per pulire il disco, non utilizzare prodotti per la pulizia.
- Non curvare il disco.

## Manutenzione dell'unità DVD-ROM

Durante il funzionamento, per proteggere l'unità DVD-ROM osservare le seguenti precauzioni:

- Non spostare l'unità quando è in uso. Questa operazione potrebbe provocare un errore di dati o danneggiare l'unità.
- Evitare l'esposizione dell'unità nelle seguenti condizioni:
  - Alta umidità
  - Alta temperatura
  - Polvere
  - Vibrazione meccanica
  - Urti improvvisi o cadute
  - Posizione su una superficie inclinata
  - Esposizione diretta al sole
  - Cambiamenti di temperatura improvvisi
- Non inserire oggetti esterni nell'unità.
- Non raccogliere oggetti sull'unità.
- Non rimuovere il coperchio dell'unità o tentare di effettuare assistenza sull'unità.
- Rimuovere qualsiasi disco dal relativo cassetto e verificare che il cassetto sia chiuso prima di spostare l'unità.
- Conservare i materiali da imballaggio originale. Se è necessario fornire l'unità su una diversa ubicazione, utilizzare i materiali da imballaggio originale per verificare che l'unità venga trasportata in modo sicuro.

## Espulsione manuale di un disco

Se un'unità diventa difettosa e non è possibile espellere un disco, spegnere l'elaboratore e inserire una graffetta nel foro per l'espulsione di emergenza. L'estremità di una graffetta deve essere di almeno 45 mm. Inserire l'estremità estesa nel foro per l'espulsione di emergenza, posto sulla parte anteriore dell'unità (consultare la sezione "Vista anteriore dell'unità" a pagina 1-39). Inserire un fermaglio fino a quando il vassoio viene aperto. Estrarre il vassoio delicatamente fino a quando è possibile rimuovere il disco.



---

## Guia de Instalação e do Usuário

Esta seção contém a descrição do produto, as instruções de instalação do hardware e do software e informações operacionais da Unidade de DVD-ROM de Leitura RAM 16X Max da IBM .

---

### Descrição do Produto

Este pacote de opcionais destina-se a aplicativos de multimídia. A unidade vem com um CD que contém o software de decodificação MPEG-2 para o Microsoft® Windows® 98, Windows 95, Microsoft Windows 2000 Professional, Microsoft Windows NT® 4.0 Workstation e Microsoft Windows Millennium Edition (Me).

Além deste guia, o pacote de opcionais inclui o seguinte:

- Uma Unidade de DVD-ROM 16X Max da IBM
- Um pacote com quatro parafusos de montagem (M3 x 5-mm, para slot)
- Um cabo IDE
- Um cabo de áudio “Y”
- Um CD do software de decodificação MPEG-2
- Um guia de segurança sobre laser

Entre em contato com o fornecedor se algum item estiver faltando ou danificado. Certifique-se de guardar o comprovante de compra; ele poderá ser solicitado para o recebimento do serviço de garantia. Consulte “Appendix D. Help and service information” na página D-1 para obter informações sobre suporte técnico.

A unidade pode ler muitos formatos de DVD e CD, incluindo formatos de vídeo em DVD, DVD-RAM, CD de vídeo e CD de áudio. No entanto, é necessário instalar o software de decodificação MPEG-2 incluído para reproduzir os arquivos de vídeo. A unidade também lê discos de múltiplas sessões de arquitetura estendida (XA), como o Kodak Photo CD. Esta unidade fornece dados até 40 vezes a velocidade da unidade de CD-ROM padrão (40X), para CD-ROM e mídia CD-R. Esta unidade fornece dados até 16 vezes a velocidade da unidade de DVD-ROM padrão (16X) para mídia DVD. Esta unidade é projetada para ser instalada em um computador pessoal que utiliza arquitetura IDE (Integrated Drive Electronics) ou EIDE (Enhanced IDE).

---

### Requisitos de Instalação

Certifique-se de que o computador atenda aos seguintes requisitos antes de instalar a unidade:

- Microprocessador mínimo: Intel® Pentium® 133 MHz ou Intel Pentium II 233 MHz se você estiver utilizando o software de decodificação MPEG-2
- Mínimo de RAM: 32 MB
- Sistema operacional Windows 98, Windows 95 OSR2, Windows 2000, Windows NT 4.0 ou Windows Me
- Um compartimento de unidade disponível
- Uma conexão IDE disponível
- 40 MB de espaço disponível em disco rígido
- Placa de áudio que suporte taxa de amostragem de 44,1 ou 48 kHz
- Alto-falantes estéreos opcionais
- Vídeo AGP 2X com suporte de sobreposição para software de decodificação MPEG-2

---

## Antes de Começar

Antes de instalar a unidade de DVD-ROM, leia as informações nesta seção sobre precauções com o manuseio e sobre como utilizar os controles e os conectores da unidade.

## Tomando Precauções

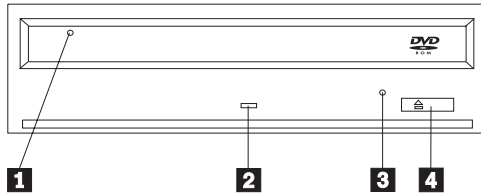
Siga estas precauções com o manuseio para proteger a unidade:

- Mantenha a unidade de DVD-ROM em uma bolsa antiestática até o momento de instalá-la. Limite seus movimentos durante a instalação; movimentos podem causar acúmulo de eletricidade estática.
- Manuseie a unidade com cuidado. Derrubar ou sacudir a unidade pode danificar os componentes dentro de seu invólucro.
- Não force a inserção do IDE ou dos cabos de alimentação. Isso pode danificar o conector ou a unidade.

## Controles e Conectores da Unidade

Os seguintes diagramas mostram a localização e as funções dos controles e conectores da unidade.

### Vista frontal da unidade



#### **1** Gaveta do disco

Essa gaveta é o local onde você carrega e descarrega um disco.

#### **2** Indicador de ocupado

Este indicador acende quando a unidade lê ou reproduz um disco.

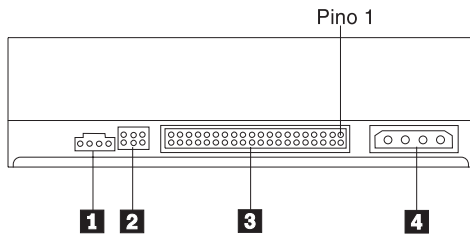
#### **3** Orifício de ejeção de emergência

Esse orifício fornece acesso ao mecanismo de ejeção para remover um disco da unidade.

#### **4** Botão Abrir/Fechar

Esse botão abre e fecha a gaveta do disco quando pressionado.

## Vista posterior da unidade



### **1** Conector de saída de áudio

Esse conector transmite os sinais de áudio analógicos para uma placa de áudio.

### **2** Pinos de configuração

Esses pinos são utilizados para definir a configuração da unidade.

### **3** Porta IDE

Conecta a unidade de DVD-ROM ao cabo IDE.

### **4** Conector de alimentação

Conecta a unidade de DVD-ROM ao cabo de alimentação.

---

## Instalando a Unidade

Siga estas etapas para instalar a unidade de DVD-ROM:

### Etapa 1. Abrindo o Computador

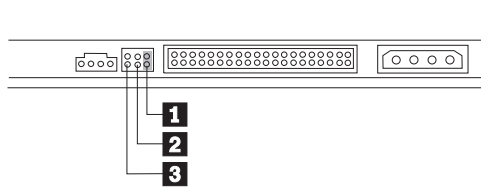
1. Desligue o computador e todos os dispositivos conectados.
2. Desconecte todos os cabos de alimentação do computador e de todos os dispositivos conectados.
3. Remova a tampa do computador. Consulte a documentação do computador para obter instruções sobre a remoção da tampa do computador.

### Etapa 2. Desempacotando a Unidade

1. Antes de abrir a bolsa antiestática na qual está a unidade, toque a bolsa em uma superfície de metal não pintada por pelo menos dois segundos. Isso faz com que a eletricidade estática da embalagem e de seu corpo seja drenada.
2. Remova a unidade da bolsa.

Se você precisar retirar a unidade da bolsa, coloque a bolsa antiestática sobre uma superfície plana, revestida, como uma revista, e coloque a unidade sobre a bolsa antiestática.

### Etapa 3. Definindo os Jumpers de Configuração



Você pode configurar sua unidade como mestre **1**, escrava **2** ou para seleção de cabo **3**, conforme mostrado.

Utilize as seguintes diretrizes para determinar a configuração correta da unidade de DVD-ROM.

- Configure a unidade de DVD-ROM como mestre, se ela for o único dispositivo conectado a um cabo IDE. Essa é a configuração predefinida.
- Configure a unidade de DVD-ROM como escrava, se ela for o segundo dispositivo em um cabo IDE. Certifique-se de configurar o outro dispositivo como um mestre. Em alguns casos, uma unidade de disco rígido pode requerer uma definição de jumper “mestre com a presença de um escravo” quando outro dispositivo no mesmo cabo está configurado como um escravo. Para obter mais informações sobre a definição de jumpers de configuração em outros dispositivos, consulte a documentação fornecida com o dispositivo do computador.
- Alguns computadores não-IBM utilizam cabos ATA com dois fios invertidos nos conectores do dispositivo para que as unidades possam ser configuradas pelo cabo em vez de pela posição do jumper. Utilize a posição de seleção de cabo somente para computadores equipados com esses cabos especiais. Consulte a documentação fornecida com o computador para determinar se a placa ATA requer que você coloque os jumpers na posição de seleção de cabo.

Se você colocar os jumpers na posição de seleção de cabo, o cabo IDE atribuirá automaticamente as definições mestre e escrava com base na posição da unidade no cabo. Utilize a definição seleção de cabo para esse sistema de cabeamento se a unidade de DVD-ROM for o único dispositivo ou o segundo dispositivo conectado ao cabo. A unidade mais próxima ao controlador IDE será automaticamente a unidade mestre. Todos os outros dispositivos no cabo IDE também devem ser definidos para a posição de seleção de cabo.

## Etapa 4. Montando a Unidade no Compartimento

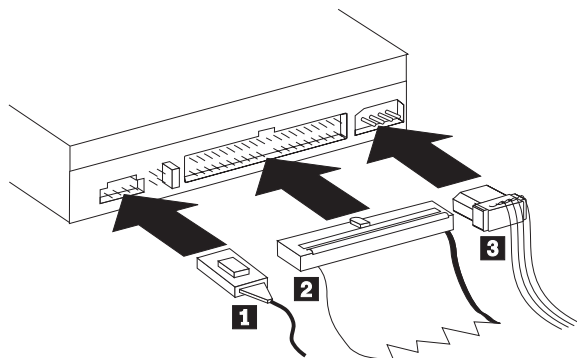
**Atenção:** Certifique-se de utilizar os parafusos de montagem do pacote de opcional quando estiver colocando os parafusos diretamente na unidade. O uso de parafusos muito grandes poderá danificar a unidade.

Você pode montar a unidade de DVD-ROM horizontalmente ou verticalmente no computador. Se montar verticalmente, deverá prender todos os discos colocados na unidade antes de a bandeja ser fechada ou a unidade de DVD-ROM não conseguirá ler o disco adequadamente.

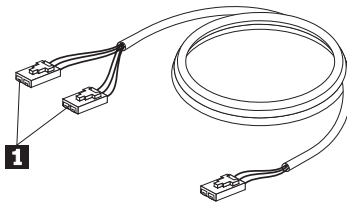
1. Deslize a unidade para dentro do compartimento. O computador pode ter procedimentos necessários específicos para a instalação de dispositivos de armazenamento. Para obter mais informações sobre dispositivos de armazenamento, consulte a documentação fornecida com o computador.
2. Alinhe os orifícios dos parafusos do compartimento de unidade com os orifícios rosqueados no invólucro da unidade ou no suporte de montagem.
3. Coloque os parafusos, deixando-os soltos para verificar suas posições. Normalmente, são utilizados dois parafusos em cada lado. Verifique se o alinhamento está correto; em seguida, aperte os parafusos para prender a unidade. Não os aperte excessivamente.

## Etapa 5. Conectando os Cabos à Unidade

O seguinte diagrama mostra o local onde se deve conectar os cabos à unidade.



A seguir há uma ilustração do cabo de áudio interno fornecido com o pacote de opcionais.



1. O cabo de áudio interno possui uma extremidade de conector dividido e uma extremidade de conector simples. Conecte uma das extremidades do conector dividido **1** ao conector de saída de áudio na unidade de DVD-ROM. Se você possuir outra unidade de CD-ROM, CD-RW ou DVD-ROM, conecte a outra extremidade do conector dividido ao conector de saída de áudio nesta unidade. Conecte a extremidade do conector simples à placa de som.
2. Conecte o conector do cabo IDE de 40 pinos **2** ao conector IDE da unidade. Alinhe o cabo para que a borda codificada por cores fique o mais próxima ao conector do cabo de alimentação **3**. Utilize o cabo IDE fornecido com esse opcional, se não houver nenhum cabo conectado à porta IDE. O cabo IDE pode ter até três conectores. Para obter um sinal da melhor qualidade quando estiver conectando um único dispositivo ao cabo IDE, conecte uma extremidade do cabo à porta IDE e a outra extremidade ao dispositivo. Não utilize o conector do meio. Utilize o cabo IDE fornecido com esse opcional, se não houver nenhum cabo conectado à porta IDE do computador ou se houver somente um conector de dispositivo no cabo IDE do computador.

Se estiver conectando dois dispositivos ao cabo IDE, conecte uma extremidade do cabo à porta IDE e conecte os dispositivos mestre e escravo aos conectores restantes na outra extremidade. Muitos computadores têm dois cabos para conexão de até quatro dispositivos ATA. Para obter o melhor desempenho, conecte dispositivos rápidos (unidades de disco rígido) ao cabo conectado à porta IDE primária e conecte a unidade de DVD-ROM ou outros dispositivos mais lentos (unidades de CD-ROM, unidades de fita, mídia removível) ao cabo conectado à porta IDE secundária.

3. Conecte um cabo de alimentação de quatro pinos **3** ao conector de alimentação na unidade de DVD-ROM.

Certifique-se de que os cabos não ficarão presos ou amontoados pela tampa do computador e que todos os outros cabos e conexões de alimentação estejam protegidos.

## Etapa 6. Concluindo a Instalação do Hardware

1. Certifique-se de que a unidade de DVD-ROM esteja montada com segurança e que os conectores estejam firmemente conectados.
2. Certifique-se de que os cabos não interfiram na tampa do computador e que eles não bloqueiem as lâminas do ventilador da fonte de alimentação ou as passagens do fluxo de ar.
3. Reinstale a tampa do computador.
4. Reconecte todos os dispositivos externos.
5. Conecte todos os cabos de alimentação às tomadas de parede.

### O Que Fazer em Seguida

Se você utilizar a unidade como uma unidade de DVD-ROM somente para dados, ou como uma unidade de CD-ROM, a instalação estará concluída e não haverá necessidade de instalar software de suporte. Para obter mais informações sobre a manutenção da unidade, consulte a seção “Cuidados e Manutenção” na página 1-60.

## Etapa 7. Configurando o Computador para Reprodução de Vídeo em DVD

Esta seção fornece instruções sobre a ativação de definições DMA para que você possa reproduzir filmes de DVD com a unidade de DVD-ROM.

### Ativando as Definições DMA

Verifique o sistema operacional do computador. As instruções para ativar DMA estão incluídas em “Appendix C. Customizing the device-driver configuration settings” na página C-1.

1. Clique em **Iniciar**, **Configurações** e, em seguida, em **Painel de Controle**.
2. Dê um clique duplo em **Sistema**.

Leia o número da versão em Sistema.

- Se o número da versão for 4.00.950B ou 4.00.95C, siga as instruções em “Changing the Auto Insert Notify and DMA parameters for Windows 95, Windows 98, and Windows Me” na página C-1.
- Se o número de versão for 5.00.2195, siga as instruções na seção “Changing the Windows 2000 DMA parameter setting” na página C-1.
- Se o número da versão for 4.00.1381, siga as instruções em “Enabling DMA for Windows NT 4.0” na página C-2.

## Etapa 8. Instalando o Software de Decodificação MPEG

Para instalar o software de Decodificação MPEG-2, proceda da seguinte maneira:

1. Feche todos os programas que estiverem sendo executados.



2. Insira o CD do software de decodificação MPEG-2 na unidade de DVD-ROM.
3. Se a janela Instalação for aberta automaticamente, vá para a Etapa 8. Caso contrário, continue com a Etapa 4.
4. Clique em **Iniciar**.
5. Clique em **Executar**.
6. Digite X:\DVDPLAYR\SETUP.EXE, onde X é a letra da unidade da unidade de DVD-ROM.
7. Clique em **OK**.
8. Siga as instruções na tela para concluir a instalação.

---

## Exibindo um Filme de DVD

Depois de instalar a unidade de DVD-ROM, configurar o DMA e instalar o software de exibição de DVD, você poderá exibir um filme de DVD.

O DVD Express iniciará automaticamente quando você inserir um DVD. Se quiser iniciar o DVD Express manualmente, siga estas instruções:

1. Clique em **Iniciar, Programas** e, em seguida, em **Mediamatics DVD Express**.
2. Clique em **Mediamatics DVD Player**.

A janela de reprodução do filme de DVD será exibida. Para obter mais informações sobre a reprodução de filme de DVD, consulte o auxílio online do DVD Express pressionando F1.

## Códigos de Região do DVD

A codificação regional ajuda a proteger o conteúdo de um DVD. O mundo está dividido em seis regiões. O conteúdo específico pode ser exibido somente na região adequada. Por exemplo, o conteúdo da Região 1 (EUA e Canadá) pode ser exibido somente nos EUA e no Canadá. Você pode verificar o código de região do DVD através do símbolo de código de região na parte posterior da embalagem do conteúdo.

| Código de região | Região   |
|------------------|--|
| 1                | EUA e Canadá   |
| 2                | Europa, Oriente Médio, África do Sul e Japão         |
| 3                | Sudeste da Ásia, Taiwan, Coréia                      |
| 4                | América Latina, Austrália, Nova Zelândia             |
| 5                | Antiga União Soviética, o restante da África e Índia |
| 6                | República Popular da China                           |

Será solicitado que você selecione a região inicial. Se você inserir um DVD com um código de região diferente do código de região inicial, o DVD Express perguntará se deseja alterar a definição do código de região. Você pode alterar o código de região a partir da definição inicial até quatro vezes depois de definir o código de região inicial. Após o código ser alterado de sua definição inicial por quatro vezes, ele ficará fixo e não poderá mais ser alterado. Para alterá-lo, um DVD criptografado da nova região deverá ser inserido na unidade de DVD-ROM.

Para exibir o status do código de região, siga estas instruções:

1. Nas janelas do DVD Express, clique em **Opções de DVD**.
2. Clique em **Região do DVD**.

## Utilizando a Função Leitura de DVD-RAM

Esta seção contém informações sobre como utilizar a unidade de DVD-ROM com discos DVD-RAM.

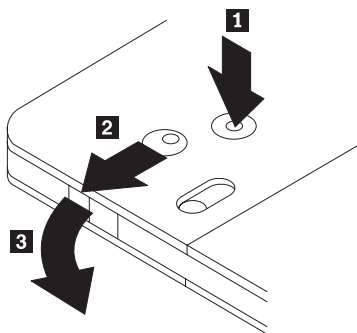
### Utilizando Mídia de DVD-RAM de Face Simples e Dupla Face

A mídia de DVD-RAM está disponível nas versões de face simples e dupla face. As versões com 2.6 GB e 4.7 GB estão disponíveis nos cartuchos Tipo I ou Tipo II. As versões 5.2 GB e 9.4 GB são de dupla face e estão disponíveis apenas nos cartuchos Tipo I.

### Removendo o Disco do Cartucho

Os discos DVD-RAM Tipo II podem ser removidos do cartucho para serem utilizados em unidades de DVD-ROM, com capacidades de Leitura em DVD-RAM. Para acessar os dados em ambos os lados da mídia, você deve remover o disco da unidade, virá-lo e inseri-lo novamente na unidade. Para maior conveniência, a mídia de dupla face possui as etiquetas lado A e lado B. Os discos de DVD-RAM Tipo I não podem ser removidos do cartucho e não podem ser lidos por esta unidade.

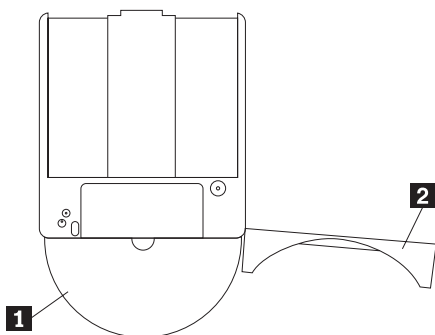
### Removendo o disco do cartucho Tipo II



Utilizando a ponta de uma caneta esferográfica, empurre e force a presilha do pino da trava **1**. Para remover o disco, utilize uma caneta esferográfica para

empurrar a trava da tampa do cartucho **2** e puxe a tampa do cartucho **3** para fora para ejetar o disco. Com a tampa do cartucho aberta, o disco será ejetado. **Não toque no lado de gravação do disco quando manusear a mídia exposta.**

## Retornando o disco ao cartucho Tipo II



Para retornar o disco ao cartucho Tipo II, alinhe o lado da etiqueta do disco **1** com o lado da etiqueta do cartucho de DVD-RAM. Insira o disco e feche a tampa do cartucho **2**. Um som de clique irá garantir que a porta esteja fechada.

## Precauções de Manuseio

Tenha cuidado ao manusear o disco removido. Partículas de poeira, sujeira, marcas de dedo, manchas ou riscos podem afetar e danificar a gravação e reprodução do disco. Para tirar o pó do disco ou outros tipos de sujeira, use um Kit de Limpeza de CD. Utilize um pano macio e seco para limpar o disco. Não utilize solventes para limpar a superfície do disco. Ao identificar um disco, escreva apenas no lado etiquetado, utilizando um marcador de texto com ponta macia. Não exponha o disco à luz direta do sol, temperaturas altas e umidades. Não cole etiquetas em nenhum dos lados do disco.

---

## Cuidados e Manutenção

Esta seção inclui informações sobre cuidados com a unidade de DVD-ROM e com os CDs e DVDs utilizados na unidade.

### Cuidados com um CD ou DVD

Os discos digitais são mídias de alta densidade que devem ser manuseadas com cuidado e mantidas limpas para garantir que permaneçam legíveis. As seguintes precauções ajudam a prolongar a vida útil dos discos.

**Atenção:** Limpar um disco com movimentos circulares pode danificar o disco e provocar perda de dados.

- Segure o disco pelas bordas ou pelo orifício central. Não toque na superfície do disco.
- Para remover poeira ou digitais, limpe o disco do centro para a borda com um pano macio e sem fiapos.
- Não escreva na superfície.
- Não exponha o disco à luz direta do sol.
- Não utilize produtos de limpeza comerciais para limpar o disco.
- Não dobre o disco.

## Cuidados com a Unidade de DVD-ROM

Para proteger a unidade de DVD-ROM durante a operação, observe as seguintes precauções:

- Não mova a unidade durante seu uso. Isso pode causar erro de dados ou danificar a unidade.
- Evite expor a unidade às seguintes condições:
  - Umidade elevada
  - Temperatura elevada
  - Poeira excessiva
  - Vibração mecânica
  - Choque repentino ou queda
  - Colocação sobre uma superfície inclinada
  - Luz direta do sol
  - Mudanças bruscas de temperatura
- Não insira objetos estranhos na unidade.
- Não empilhe objetos sobre a unidade.
- Não remova a tampa da unidade ou tente fazer reparos nela.
- Remova todos os discos da gaveta de discos e certifique-se de que a gaveta esteja fechada antes de mover a unidade.
- Mantenha os materiais de embalagem originais. Se precisar transportar a unidade para um local diferente, utilize os materiais de embalagem originais para garantir que a unidade seja transportada com segurança.

## Ejetando um Disco Manualmente

Se uma unidade apresentar defeitos e não permitir a ejeção do disco, desligue o computador e endireite um clipe de papel para formar uma ferramenta. A extremidade do clipe aberto deve estender-se a pelo menos 45 mm (1,8 pol.). Insira a extremidade estendida no orifício de ejeção de emergência na parte frontal da unidade (consulte “Vista Frontal da Unidade” na página 1-51). Empurre o clipe de papel até que a bandeja seja aberta. Cuidadosamente, puxe a bandeja para fora até que possa remover o disco.

---

## 安裝及使用手冊

本節包含 IBM® 16X Max RAM-READ DVD 光碟機的產品說明、硬體與軟體安裝指示，以及操作資訊。

---

### 產品說明

本選用套裝軟體適用於多媒體應用程式。本光碟機隨附一片光碟，其中含有可用於 Microsoft® Windows® 98、Windows 95、Microsoft Windows 2000 Professional、Microsoft Windows NT® 4.0 Workstation，以及 Microsoft Windows Millennium Edition (Me) 的 MPEG-2 解碼軟體。

除本手冊外，選用套裝軟體還包含下列項目：

- 一部 IBM 16X Max DVD 光碟機
- 四顆安裝螺絲套件 (M3 x 5 公釐，含插槽)
- 一條 IDE 接線
- 一條音訊 Y 線
- 一片 MPEG-2 解碼軟體光碟
- 一份雷射安全手冊

物品若有遺漏或損壞，請和原經銷商連絡。請務必保留購買證明，以便取得保證服務。如需技術支援資訊，請參閱第D-1頁的『附錄D. Help and service information』。

您的光碟機可讀取多種 DVD 和 CD 格式，包括 DVD 影片、DVD-RAM、影音光碟和音樂 CD 格式。不過，您必須安裝內含的 MPEG-2 解碼軟體才能播放影像檔。本光碟機也能讀取多重階段作業、延伸架構 (XA) 光碟，例如 Kodak Photo CD。本光碟機傳遞 CD-ROM 和 CD-R 資料的速度最高可達標準 CD-ROM 光碟機速度的 40 倍 (40X)。本光碟機傳遞 DVD 媒體資料的速度最高可達標準 DVD 光碟機速度的 16 倍 (16X)。這部光碟機係針對在使用 Integrated Drive Electronics (IDE) 或加強型 IDE (EIDE) 架構之個人電腦中安裝而設計。

---

### 安裝需求

安裝光碟機之前，請先確定您的電腦符合下列系統需求：

- 最小微處理器：Intel® Pentium® 133MHz 或 Intel Pentium II 233MHz (若您將使用 MPEG-2 解碼軟體)
- 最小 RAM：32 MB
- Windows 98、Windows 95 OSR2、Windows 2000、Windows NT 4.0 或 Windows Me 作業系統
- 可用的光碟機機槽
- 可用的 IDE 連線
- 40 MB 的可用硬碟空間

- 支援 44.1 或 48 kHz 取樣率的音效配接卡
- 可選購的立體喇叭
- 具重疊支援的 AGP 2X 視訊（用於 MPEG-2 解碼）

---

## 準備工作

在安裝 DVD 光碟機之前，請先閱讀本節中有關操作注意事項及使用光碟機控制項和接頭的資訊。

## 操作預防措施

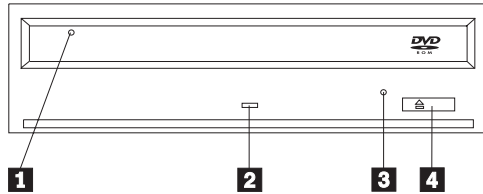
請使用下列操作預防措施來保護光碟機。

- 將 DVD 光碟機保存在防靜電袋中，到要安裝時才取出。安裝時不要任意移動，移動容易產生靜電。
- 小心移動或搬運光碟機。掉落或搖動光碟機可能會損壞光碟機槽中的元件。
- 不要強迫插入 IDE 或電源線。這樣可能傷害接頭或光碟機。

## 光碟機控制項與接頭

下圖顯示光碟機控制項及接頭的位置和功能。

### 光碟機正面



#### **1** 光碟托盤

這個托盤用來放入及取出光碟。

#### **2** 忙碌指示燈

這個指示燈會在光碟機讀取或播放光碟時亮起。

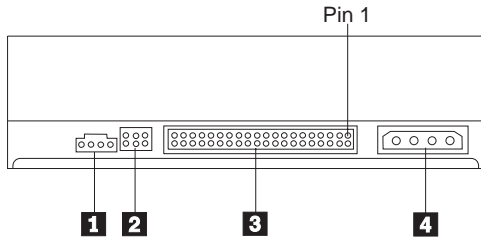
#### **3** 緊急退出孔

這個孔提供退出機制，用來取出光碟機中的光碟。

#### **4** 開啓/關閉按鈕

當您按壓這個按鈕時，它會開啓及關閉光碟托盤。

## 光碟機背面



### 1 音訊輸出接頭

這個接頭可將類比音訊訊號傳輸至音效配接卡。

### 2 配置接腳

這些接腳用來設定光碟機的配置。

### 3 IDE 連接埠

這個連接埠可將 DVD 光碟機連接到 IDE 接線。

### 4 電源接頭

這個接頭可將 DVD 光碟機連接到電源線。

---

## 安裝光碟機

請遵循下列步驟，安裝 DVD 光碟機：

### 步驟 1. 打開電腦

1. 關閉電腦及其所有附屬裝置的電源。
2. 拔掉電腦及其所有附屬裝置的電源線。
3. 取下電腦外殼。有關取下電腦外殼的說明，請參閱電腦說明文件。

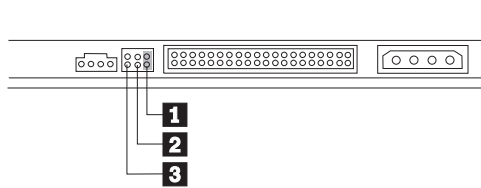
### 步驟 2. 打開光碟機包裝

1. 在打開包裝光碟機的防靜電袋之前，請先將袋子和未上漆的金屬表面接觸至少二秒鐘。這可放出套件及身體內的靜電。
2. 從袋中取出光碟機。

如果您必須放下光碟機，請先將防靜電袋放置在平坦鋪平（例如雜誌）的表面，然後再將光碟機放置在防靜電袋上。



### Step 3. 設定配置跳接器



您可將光碟機架構為主要 **1** 附屬 **2** 或接線選取 **3**，如圖所示。

請使用下列準則來判定 DVD 光碟機的正确配置。

- 如果 DVD 光碟機將會是唯一接到 IDE 接線的裝置，請將它架構為主要裝置。這是預設配置。
- 如果 DVD 光碟機將會是 IDE 接線上的第二個裝置，請將它架構為附屬裝置。請務必將其它裝置架構為主要裝置。在某些情況下，當同一條接線上的另一個裝置架構為附屬裝置時，硬碟可能會要求「主要/附屬並存」的設定。有關在其它裝置上設定配置跳接器的相關資訊，請參閱電腦裝置隨附的說明文件。
- 某些非 IBM 電腦使用特殊的 ATA 接線，其中兩條金屬線在裝置接頭內反轉，因而可由接線（而非跳接器位置）配置光碟機。請只對配備這些特殊接線的電腦使用線選取位置。請參閱電腦隨附的說明文件來判斷您的 ATA 配接卡是否需要在接線選取位置放置跳接器。

如果您將跳接器置於線選取位置上，IDE 接線會根據接線上的光碟機位置，自動指定主要及附屬設定。無論 DVD 光碟機是唯一或第二個接到接線的裝置，您都必須對此接線安裝系統使用接線選取設定。最靠近 IDE 控制器的光碟機即自動成為主要光碟機。IDE 接線上的其它任何裝置也都必須設成接線選取。

## 步驟 4. 將光碟機裝入光碟機槽

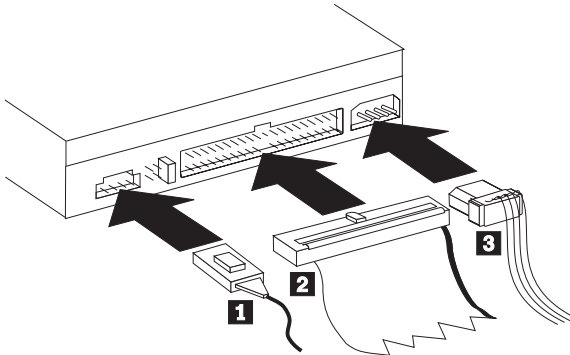
**警告：** 將螺絲直接拴在光碟機上時，請務必使用選用套裝軟體中的裝載螺絲。使用太長的螺絲可能使光碟機受損。

您可以將 DVD 光碟機以水平或直立的方式安裝於您的電腦中。如果您以直立的方式安裝光碟機的話，請在關閉光碟機托盤之前，先固定好光碟，否則會導致 DVD 光碟機無法正確讀取光碟內的資料。

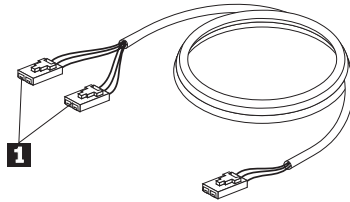
1. 將光碟機推入機槽中。您的電腦在安裝儲存裝置時可能需要特殊的程序；請參閱電腦隨附的說明文件來取得儲存裝置的相關資訊。
2. 將磁碟機機槽螺絲孔對準磁碟機槽或安裝框架上的螺紋孔。
3. 輕輕拴上螺絲來檢查位置。通常，每側會使用兩個螺絲固定。請確認螺絲孔已對齊後，再上緊螺絲來固定光碟機。請勿將螺絲拴得太緊。

## 步驟 5. 連接接線到光碟機

下圖顯示接線連接光碟機的位置。



下列圖例為選用套裝軟體隨附的內接式音訊線。



1. 內接式音訊線有分離接頭和單接頭端。請將其中一個分離接頭端 **1** 接到 DVD 光碟機上的音訊輸出接頭。如果您有另一部 CD-ROM、CD-RW 或 DVD 光碟機，請將另一個分離接頭端接到此光碟機上的音訊輸出接頭。將單接頭端接上音效卡。
2. 將 40 接腳的 IDE 接線接頭 **2** 連到光碟機上的 IDE 接頭。對準接線，使不同顏色的邊緣最接近電源線接頭 **3**。如果電腦中的 IDE 連接埠並沒有接線，請使用隨附於本套裝軟體中的 IDE 接線。IDE 接線最多可有三個接頭。為求最佳的訊號品質，當您只連接一個裝置到 IDE 接線時，請將接線的一端接上 IDE 連接埠，並將接線的另一端接到該裝置。請勿使用中間的接頭。如果電腦中的 IDE 連接埠並沒有接線，或者是電腦 IDE 的接線上只有一個裝置的接頭，則請使用隨附於本套裝軟體中的 IDE 接線。

如果您要將兩個裝置接到 IDE 接線，請將其中一條接線接上 IDE 連接埠，並將主要及附屬裝置接上在另一端的剩餘接頭。很多電腦都有兩條接線，最多可連接四個 ATA 裝置。為達最佳效能，請將較快的裝置（硬碟機）連接到接上主要 IDE 連接埠的接線，並將 DVD 光碟機或其它較慢的裝置（CD-ROM 光碟機、磁帶機、可抽換媒體）連接到接上附屬 IDE 連接埠的接線。

3. 將 4 接腳電源線 **3** 連接到 DVD 光碟機上的電源接頭。  
請確定接線不會被電腦外殼夾擠或擁塞，且其它所有的接線和電源連接都緊密穩固。

## 步驟 6. 完成硬體的安裝作業

1. 確認 DVD 光碟機已經裝妥，而且所有的接頭均已穩固連接。
2. 確定接線不會妨礙回裝電腦的外殼，也不會擋住電源供應器風扇的葉片或散熱的通風路徑。
3. 重新裝回電腦外殼。
4. 重新連接所有外接式裝置。
5. 將所有電源線插到電源插座上。

### 下一步

如果本光碟機是要用來作為資料用 DVD 光碟機或 CD-ROM 光碟機，則您已完成安裝作業，不必安裝支援軟體。如需有關光碟機維護的資訊，請參閱第 1-71 頁的『照護與維護』。

## 步驟 7. 針對 DVD 影片播放設定電腦

本節提供有關啓用 DMA 設定的說明，讓您可以使用 DVD 光碟機播放 DVD 影片。

## 啓用 DMA 設定

請檢查電腦的作業系統。有關啓用 DMA 的說明，請參閱第C-1頁的『附錄C. Customizing the device-driver configuration settings』。

1. 按一下**開始**，然後按一下**設定**，再按一下**控制台**。
2. 連接兩下**系統**。

查看「系統」下的版本號碼。

- 如果版本號碼是 4.00.950B 或 4.00.95C，請遵循第C-1頁的『Changing the Auto Insert Notify and DMA parameters for Windows 95, Windows 98, and Windows Me』中的指示。
- 如果版本號碼是 5.00.2195，請遵循第C-1頁的『Changing the Windows 2000 DMA parameter setting』中的指示。
- 如果版本號碼是 4.00.1381，請遵循第C-2頁的『Enabling DMA for Windows NT 4.0』中的指示。

## 步驟 8. 安裝 MPEG 解碼軟體

若要安裝 MPEG-2 解碼軟體，請執行下列步驟：

1. 關閉正在執行中的任何程式。
2. 將 MPEG-2 解碼軟體光碟插入 DVD 光碟機。
3. 若自動開啓「安裝」視窗，請跳至步驟 8。否則，請繼續進行步驟 4。
4. 按一下「**開始**」。
5. 按一下「**執行**」。
6. 輸入 X:\DVDPLAYR\SETUP.EXE，其中 X 是 DVD 光碟機的光碟機代號。
7. 按一下「**確定**」。
8. 遵循螢幕上的指示來完成安裝。

---

## 觀看 DVD 影片

在安裝 DVD 光碟機、架構 DMA，並安裝 DVD 播放軟體之後，即可觀看 DVD 影片。

當您插入 DVD 光碟片時，DVD Express 將會自動啓動。如果您要手動啓動 DVD Express，請遵循下列指示：

1. 按一下**開始**、按一下**程式集**，然後按一下 **Mediamatics DVD Express**。
2. 按一下 **Mediamatics DVD 播放程式**。

即出現 DVD 影片播放程式視窗。有關如何使用 DVD 影片播放程式的相關資訊，請按 F1 鍵，參閱 DVD Express 線上說明。

## DVD 區域碼

區域碼可協助保護 DVD 的內容。全球計分成六個區。特定的內容只能在其適用的區域觀看。例如，只有在美國及加拿大才能觀看第一區（美國和加拿大）的影片。您可查看影片包裝背面的區域碼符號來驗證 DVD 的區域碼。

| 區域碼 | 區域            |
|-----|---------------|
| 1   | 美國、加拿大        |
| 2   | 歐洲、中東、南非、日本   |
| 3   | 南亞、台灣、韓國      |
| 4   | 拉丁美洲、澳洲、紐西蘭   |
| 5   | 前蘇聯，非洲其餘區域、印度 |
| 6   | 中華人民共和國       |

您將被提示輸入起始區域選擇。如果您插入其區域碼與起始區域碼不同的 DVD 光碟片，DVD Express 將會詢問您是否要變更區域碼設定。在設定起始區域碼之後，您最多可從起始設定變更四次區域碼。在自其起始設定變更四次區域碼之後，區域碼即固定，再也不能變更。若要變更區域碼，DVD 光碟機中必須有新區域的加密 DVD。

若要顯示區域碼狀態，請遵循下列指示：

1. 在「DVD Express」視窗中，按一下 **DVD 選項**。
2. 按一下 **DVD 區域**。

## 使用 DVD-RAM 讀取功能

本節中含有如何使用 DVD 光碟機與 DVD-RAM 光碟的相關資訊。

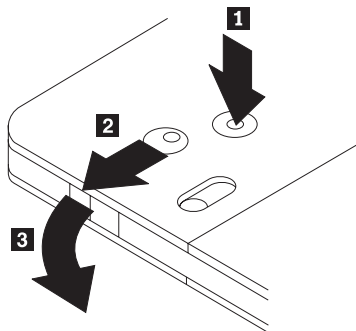
### 使用單面及雙面 DVD-RAM 媒體

DVD-RAM 媒體有單面及雙面兩種版本。Type I 或 Type II 卡匣中提供 2.6 GB 和 4.7 GB 的版本。5.2 GB 及 9.4 GB 版本為雙面，只有在 Type I 卡匣中提供。

### 從卡匣中取出光碟

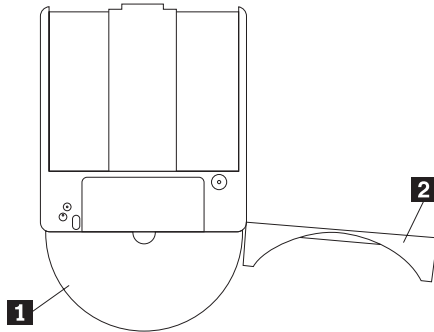
在具有 DVD-RAM 讀取功能下，可從卡匣中取出 DVD-RAM Type II 光碟，以用於 DVD 光碟機。若要存取媒體兩面的資料，您必須從光碟機中取出光碟、將它翻面，然後重新插入光碟機；基於方便考量，雙面媒體都標示 A 面和 B 面。DVD-RAM Type I 光碟無法從卡匣中取出，且無法由此光碟機讀取。

### 從 Type II 卡匣中取出光碟



請使用原子筆的筆尖，推壓並折斷鎖定針卡栓 **1**。若要取出光碟，請使用原子筆向下推卡匣蓋鎖 **2**，然後拉出卡匣蓋 **3**，退出光碟。當卡匣蓋打開時，光碟就會退出。在處理暴露的媒體時，請不要碰觸光碟的錄製面。

## 將光碟放回 Type II 卡匣



若要將光碟放回 Type II 卡匣，請將光碟 **1** 的標籤面與 DVD-RAM 卡匣標籤面對齊。插入光碟，然後關上卡匣機蓋 **2**；聽到喀啦聲可確定機蓋已關上。

## 操作預防措施

請小心處理取出的光碟。殘屑、灰塵、指紋、髒污或刮痕會影響及損壞光碟的燒錄和播放。若要清理灰塵或其它殘屑，請使用光碟清理用具。請使用柔軟的乾布清理光碟。請不要使用溶劑清理光碟。在標示光碟時，請使用軟式毛氈頭筆在印刷標籤面上書寫。遠離日光直射、高溫及高濕度。不要將標籤貼附到光碟的任一邊。

---

## 照護與維護

本節包含有關維護 DVD 光碟機以及在光碟機中使用的光碟和 DVD 的資訊。

## 維護光碟或 DVD

數位光碟是一種高密度媒體，必須小心使用以及保持乾淨，以確保可以繼續讀取其中資料。以下是延長光碟壽命的預防措施。

**警告：** 使用循環動作擦拭光碟會損壞光碟並導致資料流失。

- 只接觸光碟的邊緣以及中央小孔。請不要碰觸光碟的表面。
- 在清除灰塵或指紋時，請以無絮軟布從中央到外緣擦拭光碟。
- 不可以在表面上寫字。
- 不要將光碟直接放置在陽光下。
- 請不要使用販售的清潔劑清理光碟。
- 不要彎曲光碟。

## DVD 光碟機的保養

請注意下列預防措施，以便在作業時保護您的 DVD 光碟機：

- 光碟機在使用中時，請勿加以移動。這麼做可能會導致資料錯誤或損壞磁碟機。
- 避免光碟機暴露於下列狀況：
  - 高濕
  - 高溫
  - 過多灰塵
  - 機械震動
  - 猛烈的搖動或掉落
  - 置於傾斜的表面
  - 日光直射
  - 溫度劇烈改變
- 不要在光碟機中插入異物。
- 不要在光碟機上堆放物體。
- 不要卸下光碟機外殼，也不要嘗試自行維修光碟機。
- 從光碟托盤中取出所有光碟，並確定在移動光碟機單元之前，光碟托盤已關上。
- 保留原有的包裝材料。如果您必須將光碟機單元移至不同的位置，請使用原有的包裝材料以確保能安全運送光碟機。

## 手動退出光碟

如果光碟機失效而無法退出光碟，請關閉電腦電源，然後拿拉直的大型別針當做工具。拉直的一端長度至少要 45 公釐（1.8 英吋）。請將延伸端插入光碟機前面的緊急退出孔（請參閱第 1-63 頁的「光碟機正面」）。請推入別針，直到托盤打開為止。請輕輕地拉出托盤，直到可取出光碟為止。





---

## インストールおよびユーザズ・ガイド

ここでは、IBM<sup>®</sup> 内蔵型 16 倍速 RAM リード DVD-ROM ドライブの製品説明、ハードウェアとソフトウェアのインストール方法、および操作のための情報を説明します。

---

### 製品説明

このオプション・パッケージは、マルチメディア・アプリケーション用です。このドライブには、Microsoft<sup>®</sup> Windows<sup>®</sup> 98、Windows 95、Microsoft Windows 2000 Professional、Microsoft Windows NT<sup>®</sup> 4.0 Workstation、および Microsoft Windows Millennium Edition (Me) 用 MPEG-2 デコード・ソフトウェアを含む CD が付属しています。

本書のほかに、オプション・パッケージには次の品目が含まれます。

- 1 台の IBM 内蔵型 16 倍速 DVD-ROM ドライブ
- 取り付けねじ 4 本 (M3 x 5 mm、スロット付き) を 1 包みにしたもの
- IDE ケーブル 1 本
- オーディオ “Y” ケーブル 1 本
- MPEG-2 デコード・ソフトウェア CD 1 枚
- Laser Safety Guide 1 部

品目が不足、損傷している場合には、購入先にご連絡ください。領収書またはクレジットの控えは必ず保管しておいてください。保証サービスを受けるのに必要な場合があります。テクニカル・サポート情報については、D-1 ページの『Appendix D, Help and service information』を参照してください。

このドライブは、DVD ビデオ、DVD-RAM (4.7 GB/2.6 GB Single Sided Type II メディアのみ)、ビデオ CD、オーディオ CD 形式など、多くの DVD および CD 形式を読み取ることができます。ただし、ビデオ・ファイルを再生するには、付属の MPEG-2 デコード・ソフトウェアをインストールする必要があります。このドライブは、Kodak Photo CD など、マルチセッションの拡張アーキテクチャー (XA) ディスクも読み取ります。本ドライブは、CD-ROM メディアおよび CD-R メディアの場合、標準 CD-ROM ドライブの最高 40 倍の速度 (40X) でデータを読み取ります。本ドライブは、DVD メディアの場合、標準 DVD-ROM ドライブの最高 16 倍の速度 (16X) でデータを読み取ります。本ドライブは、IDE または拡張 IDE (EIDE) アーキテクチャーを使用するパーソナル・コンピューターにインストールするよう設計されています。

---

### インストール要件

ドライブを取り付ける前に、必ず、お使いのコンピューターが次のシステム要件を満たしていることを確認してください。

- マイクロプロセッサ: Intel® Pentium® 133MHz 以上、または MPEG-2 デコード・ソフトウェアを使用する場合は Intel Pentium II 233MHz 以上
- RAM: 32 MB 以上であること
- Windows 98、Windows 95 OSR2、Windows 2000、Windows NT 4.0、あるいは Windows Me オペレーティング・システム
- 使用可能なドライブ・ベイがあること
- 使用可能な IDE 接続ポートがあること
- 使用可能なハードディスク・スペースが 40 MB あること
- 44.1 または 48 kHz サンプリング・レートをサポートするオーディオ・アダプターがあること
- オプションのステレオ・スピーカーがあること
- MPEG-2 デコード・ソフトウェア用のオーバーレイのサポートを備えた AGP 2X ビデオがあること

---

## 作業を始める前に

DVD-ROM ドライブを取り付ける前に、この節に記載されている取扱上の注意事項と、ドライブの制御機構およびコネクタの使用についての説明をお読みください。

### 取扱上の注意

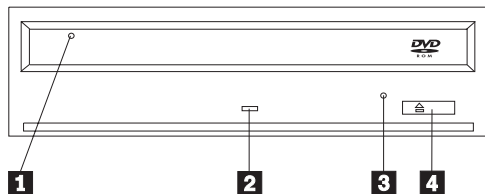
お使いのドライブを保護するために、次の取扱上の注意に従ってください。

- DVD-ROM ドライブは、取り付け準備ができるまで帯電防止袋に入れておきます。取り付け時には、身体の移動を最小限に抑えてください。移動により静電気が発生する可能性があります。
- ドライブは慎重に扱います。ドライブを落としたり振動させると、ドライブの内部のコンポーネントが損傷する可能性があります。
- IDE ケーブルや電源ケーブルを無理に差し込まないでください。無理に差し込むと、コネクタまたはドライブを損傷する場合があります。

## ドライブの制御機構とコネクター

次の図は、ドライブの制御機構とコネクターの位置および機能を示したものです。

### ドライブの正面図



#### 1 ディスク・ドロワー

このドロワーがディスクを出し入れする場所です。

#### 2 使用中表示ライト

ドライブで、ディスクからの読み取り、またはディスクの再生が行われているときに、このライトがオンになります。

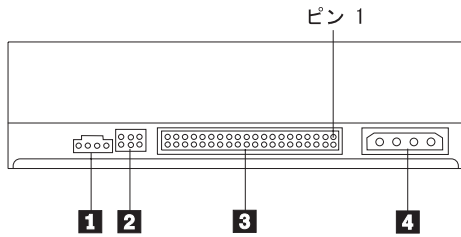
#### 3 非常用排出穴

この穴から、ディスクをドライブから取り出すための排出機構にアクセスできます。

#### 4 オープン / クローズ・ボタン

このボタンを押すと、ディスク・ドロワーが開閉します。

## ドライブの背面図



### 1 オーディオ出力コネクタ

このコネクタは、アナログ・オーディオ信号をオーディオ・アダプターに転送します。

### 2 構成ピン

これらのピンは、ドライブ構成を設定するときに使用します。

### 3 IDE ポート

これは、DVD-ROM ドライブを IDE ケーブルに接続します。

### 4 電源コネクタ

これは、DVD-ROM ドライブを電源ケーブルに接続します。

---

## ドライブの取り付け

DVD-ROM ドライブを取り付ける手順は、次のとおりです。

### ステップ 1. コンピューターを開ける

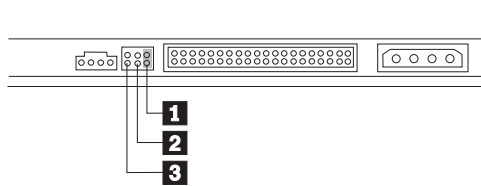
1. コンピューターと、接続されているすべての装置の電源を切ります。
2. コンピューターと、接続されているすべての装置の電源コード・プラグを抜きます。
3. コンピューターからカバーを取り外します。コンピューターのカバーを取り外す方法については、お使いのコンピューターの資料を参照してください。

### ステップ 2. ドライブを開梱する

1. ドライブが入っている帯電防止袋を開ける前に、コンピューターの塗装されていない金属面に袋を少なくとも 2 秒間接触させます。こうすると、袋ごとご自分の身体から静電気が除去されます。
2. ドライブを袋から取り出します。

ドライブを置く必要がある場合には、雑誌などの平らな面に帯電防止袋を置き、その上にドライブを置きます。

### ステップ 3. 構成ジャンパーを設定する



ドライブは、上図に示すようにマスター **1**、スレーブ **2**、またはケーブル・セレクト **3** として構成できます。

次のガイドラインを参考にして、お使いのコンピューターに合った正しい構成を決めてください。

- お使いの DVD-ROM ドライブが IDE ケーブルに接続された唯一の装置である場合にはマスターとして構成します。これが工場出荷時の設定です。
- お使いの DVD-ROM ドライブが IDE ケーブル上の 2 番目の装置である場合にはスレーブとして構成します。もう一方の装置がマスターとして構成されていることを必ず確かめてください。場合によっては、同じケーブル上の別の装置がスレーブとして構成されていると、ハードディスクが「スレーブが存在するマスター」のジャンパー設定を必要とする場合があります。その他の装置の構成ジャンパーの設定について詳しくは、そのコンピューター装置に付属の資料を参照してください。
- 一部の IBM 以外のコンピューターでは、2 つのワイヤーが装置コネクタで逆になっている特殊な ATA ケーブルを使用するものがあります。このケーブルでは、ドライブを、ジャンパー位置ではなくケーブルによって構成することができます。「ケーブル・セレクト」位置は、この特殊ケーブルを備えたコンピューターの場合にだけご使用ください。お使いのコンピューターに付属の資料を参照して、その ATA アダプターでは「ケーブル・セレクト」位置にジャンパーを配置する必要があるかどうかを確認してください。

「ケーブル・セレクト」位置にジャンパーを配置すると、IDE ケーブルは、そのケーブル上のドライブの位置に基づいてマスターとスレーブの設定を割り当てます。お使いの DVD-ROM ドライブがそのケーブルに接続された唯一の装置であっても、2 番目の装置であっても、この配線システムでは「ケーブル・セレクト」設定を使用する必要があります。IDE コントローラーに一番近いドライブが自動的にマスター・ドライブになります。IDE ケーブル上に他の装置がある場合は、それらも全部「ケーブル・セレクト」に設定しなければなりません。

## ステップ 4. ドライブをベイに取り付ける

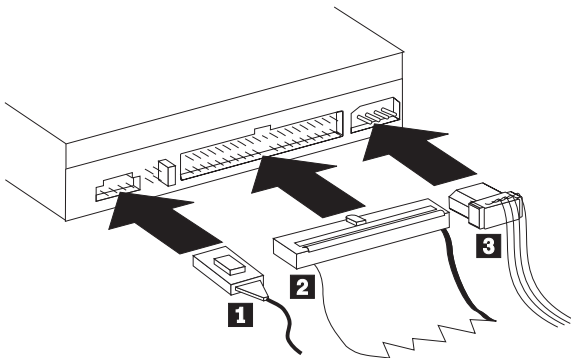
**重要:** ねじをドライブに直接取り付ける場合には、必ずこのオプション・パッケージに入っている取り付けねじを使用してください。長すぎるねじを使用すると、ドライブを損傷する場合があります。

DVD-ROM ドライブは、コンピューターに横方向でも縦方向でも取り付けられます。ドライブを縦方向に取り付けた場合は、ドライブ・トレイを閉める前にディスクがドライブに確実に挿入されていることを確認する必要があります。ディスクが確実に挿入されていないと、DVD-ROM ドライブはディスクを正しく読み取れません。

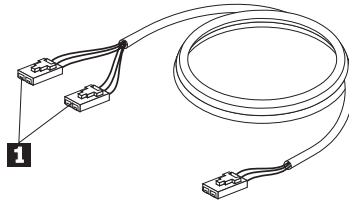
1. ドライブをスライドさせてベイに入れます。コンピューターによっては、記憶装置を取り付けるのに特別な手順が必要な場合があります。その手順については、そのコンピューターに付属の資料を参照してください。
2. ドライブ・ベイのねじ穴を、ドライブ・ハウジングのねじ穴の位置に合わせます。
3. ねじを緩く締め、位置を確認します。通常、両側にねじを 2 本ずつ使用します。位置が正しいか確認してから、ねじを締めて、ドライブを固定します。ねじを締めすぎないでください。

## ステップ 5. ケーブルをドライブに接続する

次の図のように、ケーブルをドライブに接続します。



次の図は、オプション・パッケージに付属の内部オーディオ・ケーブルです。



1. 内部オーディオ・ケーブルには、2 つに分岐したコネクタが付いている端と、コネクタが 1 個付いている端とがあります。2 つに分岐したうちのいずれかの端 **1** を、DVD-ROM ドライブのオーディオ出力コネクタに接続します。他に CD-ROM、CD-RW または DVD-ROM ドライブをお持ちであれば、2 つに分岐したコネクタの他方の端を、そのドライブのオーディオ出力コネクタに接続します。コネクタが 1 個付いている方の端は、サウンド・カードに接続します。

2. 40 ピン IDE ケーブル・コネクタ **2** をドライブの IDE コネクタに接続します。色分けされた端が電源ケーブル・コネクタ **3** 側になるように、ケーブルの向きを合わせます。IDE ポートにケーブルが接続されていない場合には、このオプションに付属の IDE ケーブルを使用してください。IDE ケーブルにはコネクタが最高 3 つ付いています。IDE ケーブルに装置を 1 台だけ接続する場合には、信号品質を最高にするには、ケーブルの一方の端にあるコネクタを IDE ポートに接続し、ケーブルの他方の端にあるコネクタを装置に接続します。真ん中のコネクタは使用しないでください。コンピューターの IDE ポートにケーブルが接続されていない場合、またはコンピューターの IDE ケーブルに装置コネクタが 1 つしかない場合には、このオプションに付属の IDE ケーブルを使用してください。

IDE ケーブルに装置を 2 台接続する場合には、信号品質を最高にするには、ケーブルの一方の端にあるコネクタを IDE ポートに接続し、マスターとスレーブの装置は、ケーブルの他方の端にある残りのコネクタに接続します。多くのコンピューターの場合、最高 4 台の ATA 装置が接続できる 2 本のケーブルが付いています。パフォーマンスを最高にするには、高速装置 (ハードディスク) をプライマリー IDE ポートに接続されたケーブルに接続し、DVD-ROM ドライブなどの速度の遅い装置 (CD-ROM ドライブ、磁気テープ・ドライブ、リムーバブル・メディア) はセカンダリー IDE ポートに接続されたケーブルに接続します。

3. 4 ピン電源ケーブル **3** を DVD-ROM ドライブの電源コネクタに接続します。

ケーブル類がコンピューターのカバーにはさまれたり、押されたりしていないかを確認し、他のケーブルや電源の接続もすべて確実に行われているか確かめてください。

## ステップ 6. ハードウェアの取り付けを完了する

1. DVD-ROM ドライブが確実に取り付けられており、コネクタがしっかり接続されているか確認します。

2. ケーブルがコンピューター・カバーの邪魔になっていたり、電源機構のファンまたは排気路をふさいでいないか確認します。
3. コンピューター・カバーを取り付けます。
4. すべての外付け装置を再接続します。
5. すべての電源コード・プラグを壁のコンセントに差し込みます。

## 次に行うこと

このドライブをデータ専用 DVD-ROM ドライブ、または CD-ROM ドライブとして使用する場合、インストールはこれで完了です。サポート・ソフトウェアをインストールする必要はありません。ドライブの保守については、1-83 ページの『お手入れと保守』を参照してください。

## ステップ 7. DVD ビデオ再生のためにコンピューターを設定する

ここでは、DVD-ROM ドライブ を使用して DVD ムービーを再生できるように、DMA 設定を使用可能にする手順を説明します。

### DMA 設定を使用可能にする

使用しているコンピューターのオペレーティング・システムを確認してください。DMA を使用可能にする説明は、C-1 ページの『Appendix C, Customizing the device-driver configuration settings』にあります。

1. 「スタート」をクリックして、「設定」をクリックし、「コントロール パネル」をクリックします。
2. 「システム」をダブルクリックします。  
「システム」の下に表示されているバージョン番号を見てください。
  - バージョン番号が 4.00.950B、または 4.00.95C の場合は、C-1 ページの『Changing the Auto Insert Notify and DMA parameters for Windows 95, Windows 98, and Windows Me』に記載された指示に従ってください。
  - バージョン番号が 5.00.2195 の場合は、C-1 ページの『Changing the Windows 2000 DMA parameter setting』に記載された指示に従ってください。
  - バージョン番号が 4.00.1381 の場合は、C-2 ページの『Enabling DMA for Windows NT 4.0』に記載された指示に従ってください。

## ステップ 8. MPEG デコード・ソフトウェアのインストール

MPEG-2 デコード・ソフトウェアをインストールするには、次のようにします。

1. 実行中のプログラムがあればクローズします。
2. MPEG-2 ソフトウェア・ソフトウェア CD を DVD-ROM ドライブに挿入します。
3. インストール・ウィンドウが自動的にオープンしたら、ステップ 8 へ進んでください。それ以外の場合は、ステップ 4 を続けます。
4. 「スタート」をクリックします。



5. 「ファイル名を指定して実行」をクリックします。
6. X:¥DVDPLAYR¥SETUP.EXE と入力します。ここで、X はユーザーの DVD-ROM ドライブのドライブ名です。
7. 「OK」をクリックします。
8. 画面上の指示に従って、インストールを完了します。

## DVD ムービーの表示

DVD-ROM ドライブの取り付け、DMA の構成、および DVD 表示ソフトウェアのインストールが済んだら、DVD ムービーを見ることができます。

DVD を挿入すると、DVD Express が自動的に始動します。DVD Express を手動で始動する場合は、次の手順で行います。

1. 「スタート」をクリックして、「プログラム」をクリックし、「Mediamatics DVD Express」をクリックします。
2. 「Mediamatics DVD Player」をクリックします。

DVD ムービー・プレイヤーのウィンドウが表示されます。DVD ムービー・プレイヤーの詳しい使用方法については、F1 キーを押して DVD Express のオンライン・ヘルプを参照してください。

## DVD の地域コード

地域コードは、DVD の内容を保護するためのものです。世界は 6 つの地域に分けられており、特定のコンテンツは該当する地域でしか見ることができません。たとえば、地域 1 (米国とカナダ) 用のコンテンツは、米国とカナダの国内だけで見ることができます。DVD の地域コードは、コンテンツのパッケージ裏面にある地域コード・シンボルを見れば確認できます。

| 地域コード | 地域                       |
|-------|--------------------------|
| 1     | 米国、カナダ                   |
| 2     | 日本、ヨーロッパ、中東、南アフリカ        |
| 3     | 東南アジア、台湾、韓国              |
| 4     | ラテンアメリカ、オーストラリア、ニュージーランド |
| 5     | 旧ソビエト連邦、南アフリカ以外のアフリカ、インド |
| 6     | 中華人民共和国                  |

初期の地域コードの選択を尋ねるプロンプトが出されます。初期の地域コードと異なる地域コードの DVD を挿入すると、地域コードの設定を変更するかどうか DVD Express に尋ねられます。初期の地域コードを設定した後、地域コードを初期設定から 4 回まで変更できます。地域コードを初期設定から 4 回変更した後は、地域コードは固定され、変更できなくなります。地域コードを変更するには、暗号化された新しい地域の DVD が DVD-ROM ドライブに入っている必要があります。

地域コードの状況を表示するには、次の手順で行います。

1. DVD Express のウィンドウ内で、「**DVD オプション**」をクリックします。
2. 「**DVD 地域**」をクリックします。

## DVD-RAM 読み取り機能の使用

この節には、DVD-RAM ディスクの DVD-ROM ドライブでの使用に関する情報があります。

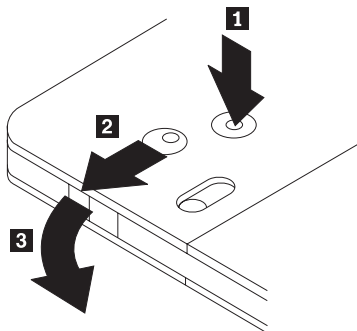
### 片面 DVD-RAM メディアおよび両面 DVD-RAM メディアの使用

DVD-RAM メディアは、片面のバージョンと両面のバージョンとがあります。2.6 GB のバージョンと 4.7 GB のバージョンが、タイプ I カートリッジまたはタイプ II カートリッジで使用可能です。5.2 GB のバージョンと 9.4 GB のバージョンは両面で、タイプ I カートリッジでのみ、使用可能です。

### カートリッジからのディスクの取り外し

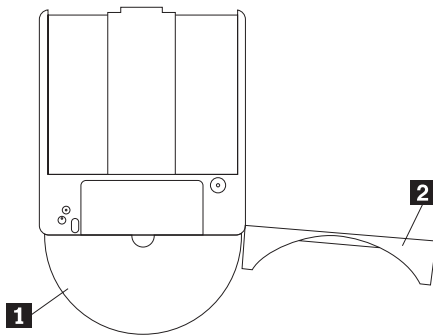
DVD-RAM タイプ II ディスクは、DVD-RAM 読み取り能力を持つ DVD-ROM ドライブで使用するために、カートリッジから取り外すことができます。メディアの両面のデータにアクセスするには、ディスクをドライブから取り外して裏返し、もう一度ドライブに挿入し直すことが必要で、便宜上、両面メディアには A 面と B 面のラベルが付いています。DVD-RAM タイプ I ディスクは、カートリッジから取り出すことはできず、このドライブで読み取ることはできません。

### タイプ II カートリッジからのディスクの取り外し



ボールペンのペン先を使って、ロック・ピン・タブ **1** を押して破ります。ディスクを取り外すには、ボールペンでカートリッジのふたのロック **2** を押し下げ、カートリッジのふた **3** を外側に引いて、ディスクを排出します。カートリッジのふたを開くと、ディスクが排出されます。裸のメディアを扱う際には、ディスクの記録面に触らないようにしてください。

## ディスクをタイプ II カートリッジに戻す



ディスクをタイプ II カートリッジに戻すには、ディスクのラベルがある方の面 **1** を、DVD-RAM カートリッジのラベルがある面に合わせます。ディスクを挿入してカートリッジのふた **2** を閉じます。カチッという音がしたら、ふたの扉は閉まっています。

### 取り扱いに際しての注意事項

取り外したディスクを扱う際は、十分注意してください。破片、ほこりの細片、指紋、染み、または引っかき傷などは、ディスクの録音と再生に影響し損傷を与える可能性があります。ほこりその他の破片をクリーニングするには、CD クリーニング・キットを使用します。ディスクをふくには、柔らかい乾いた布を使用してください。ディスクの表面をクリーニングするのに溶剤を使用しないでください。ディスクにラベル付けする際は、ペン先がフェルトの柔らかいマーカーを使用して、印刷されているラベル面だけに書くようにしてください。直射日光の当たる場所、高温になる場所、ぬれる場所に置かないでください。ディスクの両面にラベルを付けてはなりません。

---

## お手入れと保守

ここでは、DVD-ROM ドライブと、ドライブで使用する CD と DVD のお手入れについて説明します。

### CD または DVD のお手入れ

デジタル・ディスクは高密度メディアです。読み取り可能な状態に保つために、ディスクは慎重に取り扱い、常にきれいにしておく必要があります。ディスクの寿命を延ばすために、次の注意事項を守ってください。

**重要:** ディスクを円周方向にふくと、ディスクを損傷し、データが読み取れなくなる場合があります。

- ディスクを取り扱う際は、縁または中央の穴を持ち、ディスクの記録面には触れないでください。
- ほこりや指紋を取り除くには、けば立ちのない柔らかい布で中央から縁に向かってディスクをふいでください。

- 記録面に書き込みをしないでください。
- 直射日光の当たる場所にディスクを置かないでください。
- 市販のクリーナーを使用してディスクをクリーニングしないでください。
- ディスクを曲げないでください。

## DVD-ROM ドライブのお手入れ

動作中の DVD-ROM ドライブを保護するために、次の注意事項を守ってください。

- 使用中はドライブを移動しないでください。使用中に移動すると、データ・エラーが発生したり、ドライブを損傷したりすることがあります。
- ドライブを次のような条件下に置かないでください。
  - 高湿度
  - 高温
  - 多量のほこり
  - 機械的な振動
  - 急激な衝撃や落下
  - 傾いた面への設置
  - 直射日光
  - 急激な温度変化
- ドライブにディスク以外の物を挿入しないでください。
- ドライブの上に物を積み重ねないでください。
- ドライブのカバーを取り外したり、ドライブを分解したりしないでください。
- ドライブ装置を移動する前に、ディスク・ドロワーからディスクを取り出し、ドロワーが閉じていることを確認してください。
- 購入時の梱包材は保管しておいてください。ドライブ装置を別の場所に運送する必要がある場合には、輸送されるドライブの安全を確保するために、購入時の梱包材を使用してください。

## ディスクの手動排出

ドライブが故障してディスクを排出できなくなった場合は、コンピューターの電源をオフにし、大きな紙クリップをまっすぐに伸ばして、これを道具として使います。まっすぐに伸ばしたとき、少なくとも 45 mm の長さが必要です。伸ばしたクリップの先端をドライブ前面の緊急排出穴に挿入し (1-75ページの『ドライブの正面図』を参照)、トレイが開くまで紙クリップを押し込みます。ディスクを取り出すことができるまで、トレイを静かに引き出します。

---

## Appendix A. Product specifications

This appendix includes the following information:

- Physical specifications
- Power requirements
- Environmental requirements
- Drive write/read speeds
- Drive performance
- Format capabilities

### Physical specifications

The physical specifications<sup>1</sup> of the 16X Max RAM-READ DVD-ROM drive are listed in the following table.

| <i>Physical specifications:</i> |                    |
|---------------------------------|--------------------|
| Height                          | 41.3 mm (1.63 in.) |
| Width                           | 146mm (5.75 in.)   |
| Length                          | 180 mm (7.06 in.)  |
| Weight                          | 1000 g (2.2 lb.)   |

### Power requirements

The following table lists the power specifications by voltage level for the 16X Max RAM-READ DVD-ROM drive. The power specifications are measured at the drive power connector and are nominal values.

| Power specifications | Voltage | AVG    | MAX     |
|----------------------|---------|--------|---------|
| At Voltage           | 5V dc   | 650 mA | 2000 mA |
| At Voltage           | 12V dc  | 800 mA | 3300 mA |

---

1. Product-description data represents IBM's design objectives and is provided for comparative purposes; actual results might vary, based on a variety of factors. This product data does not constitute a warranty. Data is subject to change without notice.

The following table lists the environmental specifications for the 16X Max RAM-Read DVD-ROM drive. You can mount the drive vertically or horizontally.

| <i>Environmental Requirements:</i> |                                     |                                     |
|------------------------------------|-------------------------------------|-------------------------------------|
| <b>Specification</b>               | <b>Operational</b>                  | <b>Nonoperational</b>               |
| Temperature (noncondensing)        | +5° C to +45° C (+41° F to +113° F) | -30° C to +60° C (-22° F to 140° F) |
| Relative humidity (noncondensing)  | 15% to 85%                          | 10% to 90%                          |

### **Read speeds<sup>2</sup>**

| <b>Media</b>      | <b>Read Speed</b>     |
|-------------------|-----------------------|
| DVD Single Layer  | 6.7 to 16X (Full CAV) |
| DVD Dual Layer    | 5 to 12X (Full CAV)   |
| DVD Video         | 3.3 to 8X (Full CAV)  |
| DVD-R - 3.95 GB   | 1 to 2.3X (Full CAV)  |
| DVD-R - 4.7 GB    | 1 to 2.3X (Full CAV)  |
| DVD-RAM - 2.6 GB  | 2X ZCLV               |
| DVD-RAM - 4.7 GB  | 2X ZCLV               |
| CD-ROM/CD-R       | 17 to 40X (Full CAV)  |
| CD-RW             | 10 to 24X (Full CAV)  |
| CD-I/Video CD     | 4.3 to 10X (Full CAV) |
| CD-DA (DAE)       | 12X CLV               |
| CD-DA (Audio-Out) | 4X to 10X (Full CAV)  |

---

2. The 16X Max RAM-Read DVD-ROM cannot read DVD-RAM Type I Media.

---

## Appendix B. Problem solving

Computer problems can be caused by hardware, software, or user error. Using the information in this section, you might be able to solve problems yourself or gather helpful information that you can pass on to a service technician. You might also need to refer to your computer, operating-system, or sound-adaptor documentation.

Review the following list for any problem description that might fit your situation.

### Transporting data with DVD-RAM Media

DVD-RAM Media can be read on any IBM DVD-ROM drive which has RAM-read compatibility, but certain requirements must be satisfied. Your system either must have a 2.0 compliant UDF reader or you must **finalize** the media before it can be read.

If you do not have a 2.0 compliant UDF reader:

After data is written to the DVD-RAM media, it must be **finalized** before it can be read in an IBM DVD-ROM with RAM-read drive. Finalizing the media does not prevent the user to write more data. The DVD-RAM media may be finalized more than once. It is **impossible** for the IBM DVD-ROM with RAM-read drive to read the media which has not been finalized.

If you have a 2.0 compliant UDF reader:

**Unfinalized** DVD-RAM media can be read.

Obtaining a 2.0 compliant UDF reader:

Free third party UDF reader software, such as VOB InstantRead, can be downloaded from <http://www.vob.de/us/Downloads.htm>

Third party software is not supported by IBM. Use at your own risk with no warranties expressly written or implied.

- **Your computer or DVD-ROM drive does not operate correctly, or the busy indicator light does not come on.**

Take the following actions:

1. Check that the disc is loaded with the label side up.
2. Check that all devices are properly connected to the computer and to the electrical outlet.

3. Turn off the computer, unplug the cables for your computer and all attached devices, and remove the computer cover.
4. Check that all power and IDE cables are securely attached. Disconnect the IDE cable and check for bent or misaligned pins. If you do not find any problems, reconnect the interface cable. Replace the computer cover, and reattach all cables and power cords. Turn on the computer, restart the operating system, and attempt to open the loading tray by pressing the **Open/Close** button. If the tray fails to open and the busy indicator does not light, turn off the computer and try using another 4-pin dc power cable.
5. Check that the color-coded edge on the IDE cable aligns with pin 1 on the IDE port and is closest to the power cable on the DVD-ROM drive. See "Step 5. Attaching the cables to the drive" on page 1-6.
6. Check the DVD-ROM drive and any other device on the IDE cable for the proper settings. See "Step 3. Setting the configuration jumpers" on page 1-5.
7. If the middle connector on the IDE cable is attached to the IDE port on the system board, remove the connector and reattach the cable. If there is only one device on the IDE port, attach the connector at one end of the cable to the IDE port and the connector at the other end to the device, leaving the middle connector (if there is one) open.

If there are two devices on the IDE port, attach the connector at one end of the cable to the IDE port. If there is a hard disk drive, attach it to the connector at the other end of the cable, and attach the DVD-ROM drive to the middle connector.

• **You cannot access the DVD-ROM drive, or the DVD-ROM (CD-ROM) icon is not displayed.**

When the DVD-ROM drive is properly installed, a DVD-ROM or CD-ROM icon is displayed in the My Computer window. Double-click **My Computer**. If a CD-ROM icon is not present in the window that opens, verify that the drive has been properly installed. Verify that the configuration jumper is set properly. See "Step 3. Setting the configuration jumpers" on page 1-5. Restart your computer. If a drive icon is still not found, continue with the following steps.

1. Click **Start**, then click **Settings**, and then click **Control Panel**.
2. Click **System**.
3. Click the **Device Manager** tab.
4. Double-click **View Devices by Type**.
5. Select **Hard Disk Controllers** from the list displayed in the Device Manager window. Verify that there are no conflicts with the controller. The device status indicates whether the controller is working properly.



6. Select **CD-ROM** from the list that is displayed in the Device Manager window. Verify that a CD-ROM device is present in the list and that no conflicts exist. The device status indicates whether the device is working properly.
7. Click **OK**.
8. Close all windows and restart the computer.

If the device icon is still not present, check cable connections and device-jumper settings, and resolve any conflicts that might exist.

- **The DVD-ROM drive is not recognized by the operating system, or the drive performs erratically.**

Some computers have Compatible and High Performance modes for mass storage devices. Normally, the DVD-ROM drive functions better under the High Performance mode. However, if your drive is not functioning properly in that mode, you might need to use the Compatible mode.

Use the following procedure to check the configuration-setup information for your computer.

1. Access your system configuration utility program. Pressing F1 at system startup does this on most IBM computers.
2. Select **Devices**.
3. Scroll down to the **Mass Storage Devices** section.

Refer to the documentation that comes with your computer for additional details on selecting IDE performance modes.

- **The disc cannot be read.**

Take the following actions:

1. The disc might be dirty; clean it as described in "Caring for a CD or DVD" on page 1-11.
2. The disc might be defective; try another disc.
3. The disc is not ISO-9660, High Sierra Group (HSG), or Universal Disc Format (UDS) compatible. Check with your place of purchase.

- **There is no sound from the disc.**

1. Check that you are not using a data CD.
2. Adjust the audio-adaptor volume control. See the documentation that comes with your audio adapter and audio-CD player program.
3. Turn off the computer, unplug the cables from the electrical outlets for your computer and all attached devices, and remove the computer cover. Ensure that the audio-signal cable connects the DVD-ROM drive with the sound adapter.

- **You receive a common error message.**

Take the following actions for these common error messages:

- CDR-103

The disc in the DVD-ROM drive is not High Sierra, ISO 9660, or UDF format. The DVD-ROM drive does not support the media.

– CDR-101

The “not ready reading the drive” situation occurs if you try to access the DVD-ROM drive before the drive is ready. The busy indicator lights when you attempt to access the drive after loading a disc into the loading tray. Wait until the busy indicator is no longer lit before attempting to access the drive.

- **The connectors on the audio cables that are provided do not fit the connector on your audio adapter.**

Some audio adapters might require a special cable. See the documentation that comes with your audio adapter.

You might have to separately purchase an audio cable for the DVD-ROM drive. If you are using an IBM computer or IBM audio adapter, refer to “Appendix D. Help and service information” on page D-1.

- **“Unable to Create Overlay Window” message appears when you use DVD Express with Windows 95, Windows 98, or Windows 2000.**

1. Your video device driver needs an update to enable overlay support. Contact the manufacturer of your video card or your computer for updates. Some drivers are provided on the MPEG-2 CD.
2. The resolution of your screen might be too high. Try setting the screen to 800 x 600 x 16 bpp at 60 hz.

- **DVD movies do not start automatically when inserted into the DVD-ROM drive.**

1. Autoplay is turned off. Follow these instructions to turn on Autoplay:
  - a. Click **Start**, then click **Control Panel**, and then click **Device Manager**.
  - b. Check **Auto Insert Notification**.
2. DVDs that contain both programs and DVD Video content will autoplay the program content. To view the video content, start DVD Express manually. For more information on starting DVD Express manually, see “Viewing a DVD movie” on page 1-9.

- **Video appears to be choppy or is dropping frames.**

1. Ensure that DMA is turned on for your computer hard disk drive controller.
2. The resolution of your screen might be too high. Try setting the screen to 800 x 600 x 16 bpp at 60 hz.
3. If your computer processor has less power than a Pentium II 450, some jerkiness is normal on certain DVDs.

- **Cannot read CD media (data or audio) on Windows 2000 or Windows NT systems without restarting system.**

1. IBM Rapid Access II Keyboard driver may be interfering with the operation of the CD drive.

- a. Remove the Rapid Access II Keyboard driver via Add/Remove programs in the Control Panel.
- b. If you have a Rapid Access II Keyboard and wish to restore its function, you will need to go to the IBM Support Web site to download the latest drivers (Version 1007 or higher).

---

## Appendix C. Customizing the device-driver configuration settings

---

### Changing the Windows 95, Windows 98, Windows Me, and Windows NT device drivers

Windows 95, Windows 98, and Windows Me have two device-driver configuration parameters: Auto Insert Notify and DMA.

The Auto Insert Notify parameter enables the computer to start audio CD software as soon as a CD is inserted into the Slimline drive.

The DMA parameter improves computer performance by having the computer DMA controller handle moving data from the CD to memory, freeing the computer microprocessor to perform more important tasks. For example, activating DMA might make movies and games run more smoothly because the microprocessor will be allocating more processing time to video.

### Changing the Auto Insert Notify and DMA parameters for Windows 95, Windows 98, and Windows Me

To change these parameter settings from the Windows 95, Windows 98, or Windows Me desktop:

1. Click **Start --> Settings --> Control Panel**.
2. Double-click **System**.
3. Select **Device Manager**.
4. Double-click **CD-ROM**.
5. Click **Properties**.
6. Select **Settings**.
7. Click **Auto Insert Notification** or **DMA**.
8. Click **OK**.

### Changing the Windows 2000 DMA parameter setting

To change the DMA parameter setting for Windows 2000, do the following:

1. Select **Start-->Settings-->Control Panel**.
2. Double-click **System**.
3. Click the **Hardware** tab.
4. Click **Device Manager**.
5. Click the **IDE ATA/ATAPI** controller to open up the tree.
6. Double-click the device that corresponds to your CD-ROM port. It is either **Primary IDE** or **Secondary IDE**.
7. Click the **Advanced Settings** tab.

8. Select the **Transfer Mode** pull-down and select **DMA if available**.
9. Click **OK**.
10. Click **Close** to close the System Properties window. A message is displayed, informing you that the system settings have changed.
11. Click **OK** to restart the computer.

## Enabling DMA for Windows NT 4.0

Enabling DMA for Windows NT 4.0 requires installing a DMA bus master IDE controller driver. This may have been installed at the factory, or you have to install it yourself. To determine if an IDE Bus Mastering driver is installed, follow these steps:

1. Log on as an administrator.
2. Double-click **My Computer**.
3. Click **Start**.
4. Select **Settings**.
5. Click **Control Panel**.
6. Double-click **Devices**.
7. Select the **ATAPI** device.
8. If the status is 'Started', you do not have a DMA bus master IDE controller driver installed.

If your computer does not have an DMA bus master IDE controller driver, you must go to the Web site for the manufacturer of the system board in your computer, and download and install the Windows NT 4.0 DMA device driver. The instructions for installing the driver are provided on the manufacturer's Web site.

**Note:** Carefully read the instruction that come with your driver. Some versions of Bus Master drivers do not support CD recordable devices.

The following is a list of manufacturer Web Sites that contain Windows NT 4.0 DMA device drivers for your system boards:

- IBM: <http://www.ibm.com>
- Intel: <http://www.intel.com>
- VIA: <http://via.com.tw>
- ALi: <http://ali.com.tw>

---

## Appendix D. Help and service information

This section contains information on how to obtain warranty information on the World Wide Web and online and telephone technical support.

---

### Warranty information on the World Wide Web

The IBM Machine Warranties Web site at [http://www.ibm.com/servers/support/machine\\_warranties/](http://www.ibm.com/servers/support/machine_warranties/) contains a worldwide overview of the IBM Limited Warranty for IBM Machines, a glossary of terms used in the Statement of Limited Warranty, Frequently Asked Questions (FAQ), and links to Product Support Web pages. The IBM Statement of Limited Warranty is available from this Web site in 29 languages in Portable Document Format (PDF).

---

### Online technical support

Online technical support is available during the life of your product. Online assistance can be obtained through the Personal Computing Support Web site.

| <i>Online technical support</i>         |   |
|---|---|
| IBM Personal Computing Support Web site | <a href="http://www.ibm.com/pc/support">http://www.ibm.com/pc/support</a> |
|   |   |

During the warranty period, assistance for replacement or exchange of defective components is available. In addition, if your IBM option is installed in an IBM computer, you might be entitled to service at your location. Your technical support representative can help you determine the best alternative.

---

### Telephone technical support

Installation and configuration support through the HelpCenter will be withdrawn or made available for a fee, at IBM's discretion, 90 days after the option has been withdrawn from marketing. Additional support offerings, including step-by-step installation assistance, are available for a nominal fee.

To assist the technical support representative, have available as much of the following information as possible:

- Option name
- Option number
- Proof of purchase

- Computer manufacturer, model, serial number (if IBM), and manual
- Exact wording of the error message (if any)
- Description of the problem
- Hardware and software configuration information for your system

If possible, be at your computer. Your technical support representative might want to walk you through the problem during the call.

For the support telephone number and support hours by country, refer to the following table or to the enclosed technical support insert. If the number is not provided, contact your IBM reseller or IBM marketing representative. Response time may vary depending on the number and nature of the calls received.

| <b><i>Support 24 hours a day, 7 days a week</i></b> |  |
|---|--|
| Canada (Toronto only)                               | 416-383-3344   |
| Canada (all other)                                  | 1-800-565-3344   |
| U.S.A. and Puerto Rico                              | 1-800-772-2227   |
| All other countries                                 | Go to <a href="http://www.ibm.com/pc/support/">http://www.ibm.com/pc/support/</a> , and click <b>HelpCenter Phone List</b> . |

---

## Appendix E. Product warranty and notices

This section contains the warranty period for your product and the IBM Statement of Limited Warranty.

**Machine** - 16X Max RAM-Read DVD-ROM Drive **Warranty period\*** - One Year

*\* Contact your place of purchase for warranty service information. Some IBM Machines are eligible for on-site warranty service depending on the country where service is performed.*

---

### IBM Statement of Limited Warranty

#### Part 1 - General Terms

This Statement of Limited Warranty includes Part 1 - General Terms and Part 2 - Country-unique Terms. The terms of Part 2 replace or modify those of Part 1. The warranties provided by IBM in this Statement of Limited Warranty apply only to Machines you purchase for your use, and not for resale, from IBM or your reseller. The term "Machine" means an IBM machine, its features, conversions, upgrades, elements, or accessories, or any combination of them. The term "Machine" does not include any software programs, whether pre-loaded with the Machine, installed subsequently or otherwise. Unless IBM specifies otherwise, the following warranties apply only in the country where you acquire the Machine. Nothing in this Statement of Limited Warranty affects any statutory rights of consumers that cannot be waived or limited by contract. If you have any questions, contact IBM or your reseller.

#### The IBM Warranty for Machines

IBM warrants that each Machine 1) is free from defects in materials and workmanship and 2) conforms to IBM's Official Published Specifications ("Specifications"). The warranty period for a Machine is a specified, fixed period commencing on its Date of Installation. The date on your sales receipt is the Date of Installation unless IBM or your reseller informs you otherwise.

If a Machine does not function as warranted during the warranty period, and IBM or your reseller are unable to either 1) make it do so or 2) replace it with one that is at least functionally equivalent, you may return it to your place of purchase and your money will be refunded.

#### Extent of Warranty

The warranty does not cover the repair or exchange of a Machine resulting from misuse, accident, modification, unsuitable physical or operating



environment, improper maintenance by you, or failure caused by a product for which IBM is not responsible. The warranty is voided by removal or alteration of Machine or parts identification labels.

**THESE WARRANTIES ARE YOUR EXCLUSIVE WARRANTIES AND REPLACE ALL OTHER WARRANTIES OR CONDITIONS, EXPRESS OR IMPLIED, INCLUDING, BUT NOT LIMITED TO, THE IMPLIED WARRANTIES OR CONDITIONS OF MERCHANTABILITY AND FITNESS FOR A PARTICULAR PURPOSE. THESE WARRANTIES GIVE YOU SPECIFIC LEGAL RIGHTS AND YOU MAY ALSO HAVE OTHER RIGHTS WHICH VARY FROM JURISDICTION TO JURISDICTION. SOME JURISDICTIONS DO NOT ALLOW THE EXCLUSION OR LIMITATION OF EXPRESS OR IMPLIED WARRANTIES, SO THE ABOVE EXCLUSION OR LIMITATION MAY NOT APPLY TO YOU. IN THAT EVENT, SUCH WARRANTIES ARE LIMITED IN DURATION TO THE WARRANTY PERIOD. NO WARRANTIES APPLY AFTER THAT PERIOD.**

### **Items Not Covered by Warranty**

IBM does not warrant uninterrupted or error-free operation of a Machine.

Any technical or other support provided for a Machine under warranty, such as assistance via telephone with “how-to” questions and those regarding Machine set-up and installation, will be provided **WITHOUT WARRANTIES OF ANY KIND.**

### **Warranty Service**

To obtain warranty service for a Machine, contact IBM or your reseller. If you do not register your Machine with IBM, you may be required to present proof of purchase.

During the warranty period, IBM or your reseller, if approved by IBM to provide warranty service, provides without charge certain types of repair and exchange service to keep Machines in, or restore them to, conformance with their Specifications. IBM or your reseller will inform you of the available types of service for a Machine based on its country of installation. At its discretion, IBM or your reseller will 1) either repair or exchange the failing Machine and 2) provide the service either at your location or a service center. IBM or your reseller will also manage and install selected engineering changes that apply to the Machine.

Some parts of IBM Machines are designated as Customer Replaceable Units (called “CRUs”), e.g., keyboards, memory, or hard disk drives. IBM ships CRUs to you for replacement by you. You must return all defective CRUs to IBM within 30 days of your receipt of the replacement CRU. You are responsible for

downloading designated Machine Code and Licensed Internal Code updates from an IBM Internet Web site or from other electronic media, and following the instructions that IBM provides.

When warranty service involves the exchange of a Machine or part, the item IBM or your reseller replaces becomes its property and the replacement becomes yours. You represent that all removed items are genuine and unaltered. The replacement may not be new, but will be in good working order and at least functionally equivalent to the item replaced. The replacement assumes the warranty service status of the replaced item. Many features, conversions, or upgrades involve the removal of parts and their return to IBM. A part that replaces a removed part will assume the warranty service status of the removed part.

Before IBM or your reseller exchanges a Machine or part, you agree to remove all features, parts, options, alterations, and attachments not under warranty service.

You also agree to

1. ensure that the Machine is free of any legal obligations or restrictions that prevent its exchange;
2. obtain authorization from the owner to have IBM or your reseller service a Machine that you do not own; and
3. where applicable, before service is provided:
  - a. follow the problem determination, problem analysis, and service request procedures that IBM or your reseller provides;
  - b. secure all programs, data, and funds contained in a Machine;
  - c. provide IBM or your reseller with sufficient, free, and safe access to your facilities to permit them to fulfill their obligations; and
  - d. inform IBM or your reseller of changes in a Machine's location.

IBM is responsible for loss of, or damage to, your Machine while it is 1) in IBM's possession or 2) in transit in those cases where IBM is responsible for the transportation charges.

Neither IBM nor your reseller is responsible for any of your confidential, proprietary or personal information contained in a Machine which you return to IBM or your reseller for any reason. You should remove all such information from the Machine prior to its return.

### **Limitation of Liability**

Circumstances may arise where, because of a default on IBM's part or other liability, you are entitled to recover damages from IBM. In each such instance, regardless of the basis on which you are entitled to claim damages from IBM (including fundamental breach, negligence, misrepresentation, or other contract

or tort claim), except for any liability that cannot be waived or limited by applicable laws, IBM is liable for no more than

1. damages for bodily injury (including death) and damage to real property and tangible personal property; and
2. the amount of any other actual direct damages, up to the charges (if recurring, 12 months' charges apply) for the Machine that is subject of the claim. For purposes of this item, the term "Machine" includes Machine Code and Licensed Internal Code.

This limit also applies to IBM's suppliers and your reseller. It is the maximum for which IBM, its suppliers, and your reseller are collectively responsible.

**UNDER NO CIRCUMSTANCES IS IBM LIABLE FOR ANY OF THE FOLLOWING: 1) THIRD-PARTY CLAIMS AGAINST YOU FOR DAMAGES (OTHER THAN THOSE UNDER THE FIRST ITEM LISTED ABOVE); 2) LOSS OF, OR DAMAGE TO, YOUR RECORDS OR DATA; OR 3) SPECIAL, INCIDENTAL, OR INDIRECT DAMAGES OR FOR ANY ECONOMIC CONSEQUENTIAL DAMAGES, LOST PROFITS OR LOST SAVINGS, EVEN IF IBM, ITS SUPPLIERS OR YOUR RESELLER IS INFORMED OF THEIR POSSIBILITY. SOME JURISDICTIONS DO NOT ALLOW THE EXCLUSION OR LIMITATION OF INCIDENTAL OR CONSEQUENTIAL DAMAGES, SO THE ABOVE LIMITATION OR EXCLUSION MAY NOT APPLY TO YOU.**

### **Governing Law**

Both you and IBM consent to the application of the laws of the country in which you acquired the Machine to govern, interpret, and enforce all of your and IBM's rights, duties, and obligations arising from, or relating in any manner to, the subject matter of this Agreement, without regard to conflict of law principles.

## **Part 2 - Country-unique Terms**

### **AMERICAS**

#### **BRAZIL**

**Governing Law:** *The following is added after the first sentence:* Any litigation arising from this Agreement will be settled exclusively by the court of Rio de Janeiro.

### **NORTH AMERICA**

**Warranty Service:** *The following is added to this Section:* To obtain warranty service from IBM in Canada or the United States, call 1-800-IBM-SERV (426-7378).

## CANADA

**Governing Law:** *The following replaces “laws of the country in which you acquired the Machine” in the first sentence:* laws in the Province of Ontario.

## UNITED STATES

**Governing Law:** *The following replaces “laws of the country in which you acquired the Machine” in the first sentence:* laws of the State of New York.

## ASIA PACIFIC

### AUSTRALIA

**The IBM Warranty for Machines:** *The following paragraph is added to this Section:* The warranties specified in this Section are in addition to any rights you may have under the Trade Practices Act 1974 or other similar legislation and are only limited to the extent permitted by the applicable legislation.

**Limitation of Liability:** *The following is added to this Section:* Where IBM is in breach of a condition or warranty implied by the Trade Practices Act 1974 or other similar legislation, IBM’s liability is limited to the repair or replacement of the goods or the supply of equivalent goods. Where that condition or warranty relates to right to sell, quiet possession or clear title, or the goods are of a kind ordinarily acquired for personal, domestic or household use or consumption, then none of the limitations in this paragraph apply.

**Governing Law:** *The following replaces “laws of the country in which you acquired the Machine” in the first sentence:* laws of the State or Territory.

### CAMBODIA, LAOS, AND VIETNAM

**Governing Law:** *The following replaces “laws of the country in which you acquired the Machine” in the first sentence:* laws of the State of New York.

*The following is added to this Section:* Disputes and differences arising out of or in connection with this Agreement shall be finally settled by arbitration which shall be held in Singapore in accordance with the rules of the International Chamber of Commerce (ICC). The arbitrator or arbitrators designated in conformity with those rules shall have the power to rule on their own competence and on the validity of the Agreement to submit to arbitration. The

arbitration award shall be final and binding for the parties without appeal and the arbitral award shall be in writing and set forth the findings of fact and the conclusions of law.

All proceedings shall be conducted, including all documents presented in such proceedings, in the English language. The number of arbitrators shall be three, with each side to the dispute being entitled to appoint one arbitrator.

The two arbitrators appointed by the parties shall appoint a third arbitrator before proceeding upon the reference. The third arbitrator shall act as chairman of the proceedings. Vacancies in the post of chairman shall be filled by the president of the ICC. Other vacancies shall be filled by the respective nominating party. Proceedings shall continue from the stage they were at when the vacancy occurred.

If one of the parties refuses or otherwise fails to appoint an arbitrator within 30 days of the date the other party appoints its, the first appointed arbitrator shall be the sole arbitrator, provided that the arbitrator was validly and properly appointed.

The English language version of this Agreement prevails over any other language version.

## HONG KONG AND MACAU

**Governing Law:** *The following replaces "laws of the country in which you acquired the Machine" in the first sentence: laws of Hong Kong Special Administrative Region.*

## INDIA

**Limitation of Liability:** *The following replaces items 1 and 2 of this Section:*

1. liability for bodily injury (including death) or damage to real property and tangible personal property will be limited to that caused by IBM's negligence;
2. as to any other actual damage arising in any situation involving nonperformance by IBM pursuant to, or in any way related to the subject of this Statement of Limited Warranty, IBM's liability will be limited to the charge paid by you for the individual Machine that is the subject of the claim.

## JAPAN

**Governing Law:** *The following sentence is added to this Section: Any doubts concerning this Agreement will be initially resolved between us in good faith and in accordance with the principle of mutual trust.*

## NEW ZEALAND

**The IBM Warranty for Machines:** *The following paragraph is added to this Section:* The warranties specified in this Section are in addition to any rights you may have under the Consumer Guarantees Act 1993 or other legislation which cannot be excluded or limited. The Consumer Guarantees Act 1993 will not apply in respect of any goods which IBM provides, if you require the goods for the purposes of a business as defined in that Act.

**Limitation of Liability:** *The following is added to this Section:* Where Machines are not acquired for the purposes of a business as defined in the Consumer Guarantees Act 1993, the limitations in this Section are subject to the limitations in that Act.

## PEOPLE'S REPUBLIC OF CHINA (PRC)

**Governing Law:** *The following replaces this Section:* Both you and IBM consent to the application of the laws of the State of New York (except when local law requires otherwise) to govern, interpret, and enforce all your and IBM's rights, duties, and obligations arising from, or relating in any manner to, the subject matter of this Agreement, without regard to conflict of law principles.

Any disputes arising from or in connection with this Agreement will first be resolved by friendly negotiations, failing which either of us has the right to submit the dispute to the China International Economic and Trade Arbitration Commission in Beijing, the PRC, for arbitration in accordance with its arbitration rules in force at the time. The arbitration tribunal will consist of three arbitrators. The language to be used therein will be English and Chinese. An arbitral award will be final and binding on all the parties, and will be enforceable under the Convention on the Recognition and Enforcement of Foreign Arbitral Awards (1958).

The arbitration fee will be borne by the losing party unless otherwise determined by the arbitral award.

During the course of arbitration, this Agreement will continue to be performed except for the part which the parties are disputing and which is undergoing arbitration.

## EUROPE, MIDDLE EAST, AFRICA (EMEA)

**THE FOLLOWING TERMS APPLY TO ALL EMEA COUNTRIES:** The terms of this Statement of Limited Warranty apply to Machines purchased from IBM or an IBM reseller.

### Warranty Service:

If you purchase an IBM Machine in Austria, Belgium, Denmark, Estonia, Finland, France, Germany, Greece, Iceland, Ireland, Italy, Latvia, Lithuania, Luxembourg, Netherlands, Norway, Portugal, Spain, Sweden, Switzerland or United Kingdom, you may obtain warranty service for that Machine in any of those countries from either (1) an IBM reseller approved to perform warranty service or (2) from IBM. If you purchase an IBM Personal Computer Machine in Albania, Armenia, Belarus, Bosnia and Herzegovina, Bulgaria, Croatia, Czech Republic, Georgia, Hungary, Kazakhstan, Kirghizia, Federal Republic of Yugoslavia, Former Yugoslav Republic of Macedonia (FYROM), Moldova, Poland, Romania, Russia, Slovak Republic, Slovenia, or Ukraine, you may obtain warranty service for that Machine in any of those countries from either (1) an IBM reseller approved to perform warranty service or (2) from IBM.

If you purchase an IBM Machine in a Middle Eastern or African country, you may obtain warranty service for that Machine from the IBM entity within the country of purchase, if that IBM entity provides warranty service in that country, or from an IBM reseller, approved by IBM to perform warranty service on that Machine in that country. Warranty service in Africa is available within 50 kilometers of an IBM authorized service provider. You are responsible for transportation costs for Machines located outside 50 kilometers of an IBM authorized service provider.

### **Governing Law:**

The applicable laws that govern, interpret and enforce rights, duties, and obligations of each of us arising from, or relating in any manner to, the subject matter of this Statement, without regard to conflict of laws principles, as well as Country-unique terms and competent court for this Statement are those of the country in which the warranty service is being provided, except that in 1) Albania, Bosnia-Herzegovina, Bulgaria, Croatia, Hungary, Former Yugoslav Republic of Macedonia, Romania, Slovakia, Slovenia, Armenia, Azerbaijan, Belarus, Georgia, Kazakhstan, Kyrgyzstan, Moldova, Russia, Tajikistan, Turkmenistan, Ukraine, and Uzbekistan, the laws of Austria apply; 2) Estonia, Latvia, and Lithuania, the laws of Finland apply; 3) Algeria, Benin, Burkina Faso, Cameroon, Cape Verde, Central African Republic, Chad, Congo, Djibouti, Democratic Republic of Congo, Equatorial Guinea, France, Gabon, Gambia, Guinea, Guinea-Bissau, Ivory Coast, Lebanon, Mali, Mauritania, Morocco, Niger, Senegal, Togo, and Tunisia, this Agreement will be construed and the legal relations between the parties will be determined in accordance with the French laws and all disputes arising out of this Agreement or related to its violation or execution, including summary proceedings, will be settled exclusively by the Commercial Court of Paris; 4) Angola, Bahrain, Botswana, Burundi, Egypt, Eritrea, Ethiopia, Ghana, Jordan, Kenya, Kuwait, Liberia, Malawi, Malta, Mozambique, Nigeria, Oman, Pakistan, Qatar, Rwanda, Sao Tome, Saudi Arabia, Sierra Leone, Somalia, Tanzania, Uganda, United Arab Emirates, United Kingdom, West Bank/Gaza, Yemen, Zambia, and Zimbabwe, this Agreement will be governed by English Law and disputes relating to it

will be submitted to the exclusive jurisdiction of the English courts; and 5) in Greece, Israel, Italy, Portugal, and Spain any legal claim arising out of this Statement will be brought before, and finally settled by, the competent court of Athens, Tel Aviv, Milan, Lisbon, and Madrid, respectively.

***THE FOLLOWING TERMS APPLY TO THE COUNTRY SPECIFIED:***

**AUSTRIA AND GERMANY**

**The IBM Warranty for Machines:** *The following replaces the first sentence of the first paragraph of this Section:* The warranty for an IBM Machine covers the functionality of the Machine for its normal use and the Machine's conformity to its Specifications.

*The following paragraphs are added to this Section:*

The minimum warranty period for Machines is six months. In case IBM or your reseller is unable to repair an IBM Machine, you can alternatively ask for a partial refund as far as justified by the reduced value of the unrepaired Machine or ask for a cancellation of the respective agreement for such Machine and get your money refunded.

**Extent of Warranty:** *The second paragraph does not apply.*

**Warranty Service:** *The following is added to this Section:* During the warranty period, transportation for delivery of the failing Machine to IBM will be at IBM's expense.

**Limitation of Liability:** *The following paragraph is added to this Section:* The limitations and exclusions specified in the Statement of Limited Warranty will not apply to damages caused by IBM with fraud or gross negligence and for express warranty.

*The following sentence is added to the end of item 2:* IBM's liability under this item is limited to the violation of essential contractual terms in cases of ordinary negligence.

**EGYPT**

**Limitation of Liability:** *The following replaces item 2 in this Section:* as to any other actual direct damages, IBM's liability will be limited to the total amount you paid for the Machine that is the subject of the claim. For purposes of this item, the term "Machine" includes Machine Code and Licensed Internal Code.

*Applicability of suppliers and resellers (unchanged).*



## FRANCE

**Limitation of Liability:** *The following replaces the second sentence of the first paragraph of this Section:* In such instances, regardless of the basis on which you are entitled to claim damages from IBM, IBM is liable for no more than: (items 1 and 2 unchanged).

## IRELAND

**Extent of Warranty:** *The following is added to this Section:* Except as expressly provided in these terms and conditions, all statutory conditions, including all warranties implied, but without prejudice to the generality of the foregoing all warranties implied by the Sale of Goods Act 1893 or the Sale of Goods and Supply of Services Act 1980 are hereby excluded.

**Limitation of Liability:** *The following replaces items one and two of the first paragraph of this Section:* 1. death or personal injury or physical damage to your real property solely caused by IBM's negligence; and 2. the amount of any other actual direct damages, up to 125 percent of the charges (if recurring, the 12 months' charges apply) for the Machine that is the subject of the claim or which otherwise gives rise to the claim.

*Applicability of suppliers and resellers (unchanged).*

*The following paragraph is added at the end of this Section:* IBM's entire liability and your sole remedy, whether in contract or in tort, in respect of any default shall be limited to damages.

## ITALY

**Limitation of Liability:** *The following replaces the second sentence in the first paragraph:* In each such instance unless otherwise provided by mandatory law, IBM is liable for no more than: 1. (unchanged) 2. as to any other actual damage arising in all situations involving nonperformance by IBM pursuant to, or in any way related to the subject matter of this Statement of Warranty, IBM's liability, will be limited to the total amount you paid for the Machine that is the subject of the claim. *Applicability of suppliers and resellers (unchanged).*

*The following replaces the third paragraph of this Section:* Unless otherwise provided by mandatory law, IBM and your reseller are not liable for any of the following: (items 1 and 2 unchanged) 3) indirect damages, even if IBM or your reseller is informed of their possibility.

## SOUTH AFRICA, NAMIBIA, BOTSWANA, LESOTHO AND SWAZILAND

**Limitation of Liability:** *The following is added to this Section:* IBM's entire liability to you for actual damages arising in all situations involving nonperformance by IBM in respect of the subject matter of this Statement of Warranty will be limited to the charge paid by you for the individual Machine that is the subject of your claim from IBM.

UNITED KINGDOM

**Limitation of Liability:** *The following replaces items 1 and 2 of the first paragraph of this Section:*

1. death or personal injury or physical damage to your real property solely caused by IBM's negligence;
2. the amount of any other actual direct damages or loss, up to 125 percent of the charges (if recurring, the 12 months' charges apply) for the Machine that is the subject of the claim or which otherwise gives rise to the claim;

*The following item is added to this paragraph:* 3. breach of IBM's obligations implied by Section 12 of the Sale of Goods Act 1979 or Section 2 of the Supply of Goods and Services Act 1982.

*Applicability of suppliers and resellers (unchanged).*

*The following is added to the end of this Section:* IBM's entire liability and your sole remedy, whether in contract or in tort, in respect of any default shall be limited to damages. This publication was developed for products and services offered in the U.S.A.

IBM may not offer the products, services, or features discussed in this document in other countries. Consult your local IBM representative for information on the products and services currently available in your area. Any reference to an IBM product, program, or service is not intended to state or imply that only that IBM product, program, or service may be used. Any functionally equivalent product, program, or service that does not infringe any IBM intellectual property right may be used instead. However, it is the user's responsibility to evaluate and verify the operation of any non-IBM product, program, or service.

IBM may have patents or pending patent applications covering subject matter described in this document. The furnishing of this document does not give you any license to these patents. You can send license inquiries, in writing, to:

*IBM Director of Licensing  
IBM Corporation  
North Castle Drive  
Armonk, NY 10504-1785  
U.S.A.*

**The following paragraph does not apply to the United Kingdom or any country where such provisions are inconsistent with local law:**

INTERNATIONAL BUSINESS MACHINES CORPORATION PROVIDES THIS PUBLICATION "AS IS" WITHOUT WARRANTY OF ANY KIND, EITHER EXPRESS OR IMPLIED, INCLUDING, BUT NOT LIMITED TO, THE IMPLIED WARRANTIES OF NON-INFRINGEMENT, MERCHANTABILITY OR FITNESS FOR A PARTICULAR PURPOSE. Some states do not allow disclaimer of express or implied warranties in certain transactions, therefore, this statement may not apply to you.

This information could include technical inaccuracies or typographical errors. Changes are periodically made to the information herein; these changes will be incorporated in new editions of the publication. IBM may make improvements and/or changes in the product(s) and/or the program(s) described in this publication at any time without notice.

IBM may use or distribute any of the information you supply in any way it believes appropriate without incurring any obligation to you. Any references in this publication to non-IBM Web sites are provided for convenience only and do not in any manner serve as an endorsement of those Web sites. The materials at those Web sites are not part of the materials for this IBM product, and use of those Web sites is at your own risk. Any performance data contained herein was determined in a controlled environment. Therefore, the result obtained in other operating environments may vary significantly. Some measurements may have been made on development-level systems and there is no guarantee that these measurements will be the same on generally available systems. Furthermore, some measurements may have been estimated through extrapolation. Actual results may vary. Users of this document should verify the applicable data for their specific environment.

---

## Trademarks

The following terms are trademarks of the IBM Corporation in the United States or other countries or both:

IBM

HelpCenter

Microsoft, Windows, and Windows NT are trademarks or registered trademarks of Microsoft in the United States or other countries or both.

Intel and Pentium are registered trademarks of the Intel Corporation.

Other company, product, and service names may be trademarks or service marks of others.

---

## Federal Communications Commission (FCC) statement

**Note:** This equipment has been tested and found to comply with the limits for a Class B digital device, pursuant to Part 15 of the FCC Rules. These limits are designed to provide reasonable protection against harmful interference in a residential installation. This equipment generates, uses, and can radiate radio frequency energy and, if not installed and used in accordance with the instructions, may cause harmful interference to radio communications. However, there is no guarantee that interference will not occur in a particular installation. If this equipment does cause harmful interference to radio or television reception, which can be determined by turning the equipment off and on, the user is encouraged to try to correct the interference by one or more of the following measures:

- Reorient or relocate the receiving antenna.
- Increase the separation between the equipment and receiver.
- Connect the equipment into an outlet on a circuit different from that to which the receiver is connected.
- Consult an IBM authorized dealer or service representative for help.

Properly shielded and grounded cables and connectors must be used in order to meet FCC emission limits. Proper cables and connectors are available from IBM authorized dealers. IBM is not responsible for any radio or television interference caused by using other than recommended cables and connectors or by unauthorized changes or modifications to this equipment. Unauthorized changes or modifications could void the user's authority to operate the equipment.

This device complies with Part 15 of the FCC Rules. Operation is subject to the following two conditions: (1) this device may not cause harmful interference, and (2) this device must accept any interference received, including interference that may cause undesired operation.

Responsible party:

International Business Machines Corporation  
New Orchard Road  
Armonk, NY 10504  
Telephone: 1-919-543-2193



Tested To Comply  
With FCC Standards

FOR HOME OR OFFICE USE

## Industry Canada Class B emission compliance statement

This Class B digital apparatus complies with Canadian ICES-003.

### **Avis de conformité a la réglementation d'Industrie Canada**

Cet appareil numérique de classe B est conforme à la norme NMB-003 du Canada.

### **Deutsche EMV-Direktive (electromagnetische Verträglichkeit)**

Dieses Gerät ist berechtigt in Übereinstimmung mit dem deutschen EMVG vom 9.Nov.92 das EG-Konformitätszeichen zu führen.

Der Aussteller der Konformitätserklärung ist die IBM UK, Greenock.

Dieses Gerät erfüllt die Bedingungen der EN 55022 Klasse B.

### **European Union - emission directive**

This product is in conformity with the protection requirements of EU Council Directive 89/366/ECC on the approximation of the laws of the Member States relating to electromagnetic compatibility.

IBM can not accept responsibility for any failure to satisfy the protection requirements resulting from a non-recommended modification of the product, including the fitting of non-IBM option cards.

This product has been tested and found to comply with the limits for Class B Information Technology Equipment according to CISPR 22/European Standard EN 55022. The limits for Class B equipment were derived for typical residential environments to provide reasonable protection against interference with licensed communication devices.

### **Union Européenne - Directive Conformité électromagnétique**

Ce produit est conforme aux exigences de protection de la Directive 89/336/EEC du Conseil de l'UE sur le rapprochement des lois des États membres en matière de compatibilité électromagnétique.

IBM ne peut accepter aucune responsabilité pour le manquement aux exigences de protection résultant d'une modification non recommandée du produit, y compris l'installation de cartes autres que les cartes IBM.

Ce produit a été testé et il satisfait les conditions de l'équipement informatique de Classe B en vertu de CISPR22/Standard européen EN 55022. Les conditions pour l'équipement de Classe B ont été définies en fonction d'un contexte

résidentiel ordinaire afin de fournir une protection raisonnable contre l'interférence d'appareils de communication autorisés.

### **Unione Europea - Directiva EMC (Conformidad electromagnética)**

Este producto satisface los requisitos de protección del Consejo de la UE, Directiva 89/336/CEE en lo que a la legislación de los Estados Miembros sobre compatibilidad electromagnética se refiere.

IBM no puede aceptar responsabilidad alguna si este producto deja de satisfacer dichos requisitos de protección como resultado de una modificación no recomendada del producto, incluyendo el ajuste de tarjetas de opción que no sean IBM.

Este producto ha sido probado y satisface los límites para Equipos Informáticos Clase B de conformidad con el Estándar CISPR22 y el Estándar Europeo EN 55022. Los límites para los equipos de Clase B se han establecido para entornos residenciales típicos a fin de proporcionar una protección razonable contra las interferencias con dispositivos de comunicación licenciados.

### **Union Europea - Normativa EMC**

Questo prodotto è conforme alle normative di protezione ai sensi della Direttiva del Consiglio dell'Unione Europea 89/336/CEE sull'armonizzazione legislativa degli stati membri in materia di compatibilità elettromagnetica.

IBM non accetta responsabilità alcuna per la mancata conformità alle normative di protezione dovuta a modifiche non consigliate al prodotto, compresa l'installazione di schede e componenti di marca diversa da IBM.

Le prove effettuate sul presente prodotto hanno accertato che esso rientra nei limiti stabiliti per le apparecchiature di informatica Classe B ai sensi del CISPR 22/Norma Europea EN 55022. I limiti delle apparecchiature della Classe B sono stati stabiliti al fine di fornire ragionevole protezione da interferenze mediante dispositivi di comunicazione in concessione in ambienti residenziali tipici.

이 기기는 가정용으로 전자파 적합등록을 기기로서

주거지역에서는 물론 모든 지역에서 사용 할 수 있습니다.

この装置は、情報処理装置等電波障害自主規制協議会（VCCI）の基準に基づきクラスB情報技術装置です。この装置は、家庭環境で使用することを目的としていますが、この装置がラジオやテレビジョン受信機に近接して使用されると、受信障害を引き起こすことがあります。  
取扱説明書に従って正しい取り扱いをして下さい。

**Japanese statement of compliance for products less than or equal to 20 A per phase**

## 高調波ガイドライン適合品







Part Number: 71P7285



Printed in the United States of America  
on recycled paper containing 10%  
recovered post-consumer fiber.



\*71P7285\*

## Free Manuals Download Website

<http://myh66.com>

<http://usermanuals.us>

<http://www.somanuals.com>

<http://www.4manuals.cc>

<http://www.manual-lib.com>

<http://www.404manual.com>

<http://www.luxmanual.com>

<http://aubethermostatmanual.com>

Golf course search by state

<http://golfingnear.com>

Email search by domain

<http://emailbydomain.com>

Auto manuals search

<http://auto.somanuals.com>

TV manuals search

<http://tv.somanuals.com>