



IBM USB Portable CD-ROM Drive

User's Guide

OPTIONS
by IBM

Note: Before using this information and the product it supports, be sure to read the information under Appendix B, "Product warranties and notices" on page 2-2.

First Edition (April 2000)

The following paragraph does not apply to the United Kingdom or any country where such provisions are inconsistent with local law: INTERNATIONAL BUSINESS MACHINES CORPORATION PROVIDES THIS PUBLICATION "AS IS" WITHOUT WARRANTY OF ANY KIND, EITHER EXPRESS OR IMPLIED, INCLUDING, BUT NOT LIMITED TO, THE IMPLIED WARRANTIES OF MERCHANTABILITY OR FITNESS FOR A PARTICULAR PURPOSE. Some states do not allow disclaimer of express or implied warranties in certain transactions, therefore, this statement may not apply to you.

This publication could include technical inaccuracies or typographical errors. Changes are periodically made to the information herein; these changes will be incorporated in new editions of the publication. IBM may make improvements and/or changes in the product(s) and/or the program(s) described in this publication at any time.

This publication was developed for products and services offered in the United States of America. IBM may not offer the products, services, or features discussed in this document in other countries, and the information is subject to change without notice. Consult your local IBM representative for information on the products, services, and features available in your area.

Requests for technical information about IBM products should be made to your IBM reseller or IBM marketing representative.

© Copyright International Business Machines Corporation 2000. All rights reserved.

Note to U.S. Government Users — Documentation related to restricted rights — Use, duplication or disclosure is subject to restrictions set forth in GSA ADP Schedule Contract with IBM Corp.

Contents

Registering your option iv

About this book iv

Part 1: Installation and usage guide 1-1

Part 2: Appendixes 2-1

Appendix A. Help and service information 2-1

Online technical support 2-1

Telephone technical support 2-1

Appendix B. Product warranties and notices 2-2

Warranty Statements 2-2

Notices 2-11

Trademarks 2-11

Electronic emission notices 2-12

Japanese statement of compliance for products less than or equal to 20 A per phase 2-15

Registering your option

Thank you for purchasing OPTIONS by IBM®. Please take a few moments to register your product and provide us with information that will help IBM to better serve you in the future. Your feedback is valuable to us in developing products and services that are important to you, as well as in developing better ways to communicate with you. Register your option on the IBM Web site at:

<http://www.ibm.com/pc/register>

IBM will send you information and updates on your registered product unless you indicate on the Web site questionnaire that you do not want to receive further information.

About this book

This manual contains instructions for installing and using your IBM® USB Portable CD-ROM Drive. The manual is divided into two parts:

Part 1: Installation and usage guide

This section contains the product description, installation instructions, and usage information in the following languages:

- English
- German
- French
- Spanish
- Italian
- Brazilian Portuguese
- Japanese

Part 2: Appendixes

This section contains help and service information, the product warranties, and notices.

Note: The illustrations in this manual might be slightly different from your hardware.

Part 1: Installation and usage guide

This guide contains the product description, installation instructions, and product use information.

Product description

The IBM USB Portable CD-ROM Drive is a slimline CD-ROM drive that attaches quickly and conveniently to your IBM ThinkPad® computer through one simple connection.

In addition to this book, the option package includes:

- IBM USB Portable CD-ROM Drive
- USB cable
- Audio cable
- Carrying case
- *IBM USB Portable CD-ROM Drive Option Diskette*
- *Laser Safety Guide for CD-ROMs*

Hardware and software requirements

You must have the following hardware included on your IBM ThinkPad computer in order to use this option:

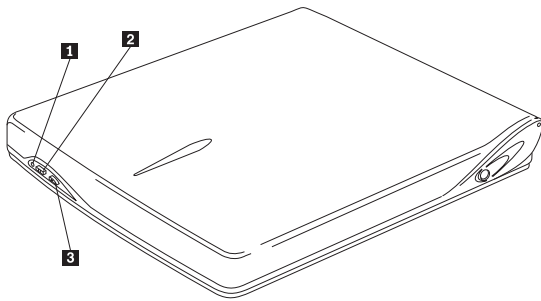
- An available USB port
- A USB Universal Host Controller Interface (UHCI) Controller
Note: To determine what type of USB Controller is included on your computer, follow these steps.
 1. Click **Start** → **Settings** → **Control Panel**.
 2. Double-click **System**.
 3. Click the **Device Manager** tab.
 4. In the list of devices, click **Universal Serial Bus Controller**.
 5. Confirm whether the controller type is UHCI or another type.

Your computer must have one of the following operating systems to use this option:

- Microsoft® Windows® 98
- Microsoft Windows 2000 Professional

Front view of the drive

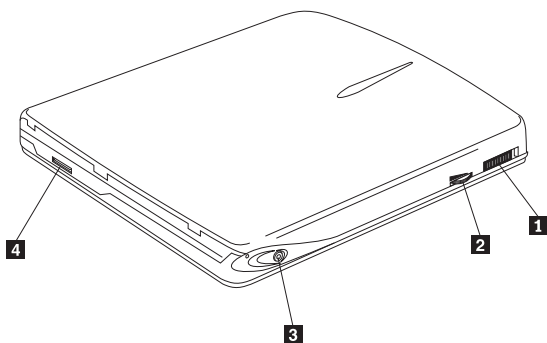
Refer to the following illustration to locate controls.



- 1 Busy indicator** This green light glows steadily when the power is turned on and blinks when the drive is active.
- 2 Stop button** Use this to stop playback of an audio CD (for details on using the audio control buttons, see “Using the CD-ROM drive audio player functions” on page 1-4).
- 3 Play button** Use this to begin playback of an audio CD (for details on using the audio control buttons, see “Using the CD-ROM drive audio player functions” on page 1-4).

Rear view of the drive

Refer to the following illustration to locate controls and connectors.

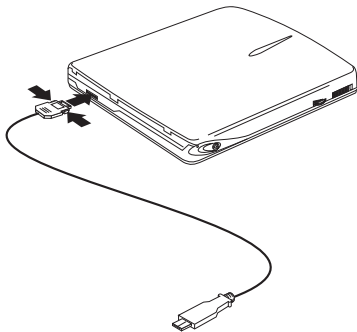


- 1 Cover release** Pull this forward to open the CD-ROM drive cover and load a CD.
- 2 Volume control** Use this to adjust the volume output to your headphones or speakers.
- 3 Audio output jack** Plug in headphones or the included audio cable here.
- 4 USB connector** Plug the USB cable into this connector.

Connecting the CD-ROM drive to your computer

Follow these instructions to connect the CD-ROM drive.

1. Locate the USB cable included with this option. One connector on the USB cable is smaller than the other and has two small buttons on each side of it.
2. Squeeze the two buttons on the smaller connector and attach that end of the USB cable to the USB connector on the back of the CD-ROM drive, as shown below.



Make sure that the metal plate on the smaller connector is facing up when you plug it into the USB connector on the CD-ROM drive.

3. Plug the larger end of the USB cable into the USB port on your computer.
4. You can plug a set of headphones into the audio output jack (see **3** in the rear view illustration on page 1-2) in order to listen to audio CDs. Alternatively, if you want to listen to audio on your ThinkPad speakers, plug one end of the included audio cable into the audio output jack on the CD-ROM drive, and plug the other end of the audio cable into either the microphone jack or the line-in jack on your ThinkPad computer. This will route the audio to your ThinkPad speakers.

Installing the device driver

To install the device driver, follow the instructions that correspond to your operating system.

Windows 98

Follow these instructions to install the device driver for Windows 98.

1. After you have attached the CD-ROM drive to your computer, turn on your computer if it is not turned on already.
2. In the New Hardware Wizard for IBM USB Portable CD-ROM Drive window, click **Next**.
3. Click to select the **Search for the best driver for your device** check box.
4. Insert the *IBM USB Portable CD-ROM Drive Option Diskette* into your diskette drive.
5. Click to select the **Floppy disk drive** check box.
6. Click **Next** twice.
7. Click **Finish** to complete the device driver installation.

You can now use the CD-ROM drive with Windows 98.

Windows 2000

The Windows 2000 operating system includes a USB device driver. The operating system recognizes the CD-ROM drive as soon as it is attached and uses the correct device driver. The device driver included on the *IBM USB Portable CD-ROM Drive Option Diskette* is not required for Windows 2000.

Using the CD-ROM drive audio player functions

There are two ways to use the CD-ROM drive to play audio CDs. You can use the Microsoft Windows CD Player, with which you can control the CD playback on your computer screen. You can also use the two audio control buttons on the front of the CD-ROM drive.

Note: You must close the Microsoft Windows CD Player in order to use the control buttons on the front of the CD-ROM drive. The buttons will not work while the Microsoft Windows CD Player is running.

Although there are only two control buttons on the front of the CD-ROM drive, you can use those two buttons to perform all the major functions of a normal CD player. Refer to the following table to determine what sequence of actions you need to take in order to perform each function.

To perform this function:	Do this:
Play	When an audio CD is first loaded, push the Play button to initiate playback from the beginning of the first track.
Pause	When an audio CD is playing, push the Stop button to pause playback. After pausing, push the Play button to resume playback from the same position. Note: After 32 seconds in Pause, the CD-ROM drive will enter Standby mode to conserve power.
Stop	Push the Stop button twice to stop playback. Note: If you begin playback after pushing the Stop button twice, playback will begin at the first track again.
Next Track	While the CD is playing, push the Play button once.
Previous Track	If the current track has been playing less than 10 seconds, press and hold the Play button for 2.5 seconds and then release.
Return to Start of Current Track	If the current track has been playing more than 10 seconds, press and hold the Play button for 2.5 seconds and then release.
Random Track Selection	Press and hold the Play and Stop buttons together for more than one second while the CD is playing. To return to sequential play, push the Stop button.

Uninstalling the Windows 98 device driver

If you have installed the Windows 98 device driver and need to uninstall it, follow these instructions.

1. Insert the *IBM USB Portable CD-ROM Drive Option Diskette* into the diskette drive.
2. Click **Start**.
3. Select **Run**.
4. Click **Browse**.
5. From the **Look in** menu, click **3 1/2 Floppy (A:)**.
6. Double-click **UnUsbdrv.exe**.
7. Click **Yes** to confirm uninstallation.
8. Click **Yes** to restart your computer.

The device driver is now uninstalled. Your computer will not recognize the CD-ROM drive when it is connected to the computer unless you reinstall the device driver.

Disconnecting and reconnecting the CD-ROM drive

Hot plugging is supported on the connection between the USB cable and your computer. This means that the CD-ROM drive USB cable can be disconnected from and reconnected to your computer whether the computer is on or off.

Attention

The connection between the USB cable and the CD-ROM drive itself does not support hot plugging. If you disconnect the USB cable from the CD-ROM drive while the USB cable is attached to your computer, it might cause damage to the CD-ROM drive.

To avoid damaging the CD-ROM drive, turn off the CD-ROM drive before disconnecting the USB cable from your computer. To disconnect the CD-ROM drive from the computer, unplug the USB cable from the computer. To reconnect the CD-ROM drive, reconnect the USB cable to the computer.

Attention

Do not disconnect and reconnect the USB cable in rapid succession or the CD-ROM drive might not load properly. After disconnecting the USB cable, wait at least 10 to 20 seconds, or until the hourglass icon stops displaying, before reconnecting the USB cable.

Installation and usage guide (Translate)

This guide contains the product description, installation instructions, and product use information.

Product description

The IBM USB Portable CD-ROM Drive is a slimline CD-ROM drive that attaches quickly and conveniently to your IBM® ThinkPad® computer through one simple connection.

In addition to this book, the option package includes:

- IBM USB Portable CD-ROM Drive
- USB cable
- Audio cable
- Carrying case
- *IBM USB Portable CD-ROM Drive Option Diskette*
- *Laser Safety Guide for CD-ROMs*

Hardware and software requirements

You must have the following hardware included on your IBM ThinkPad computer in order to use this option:

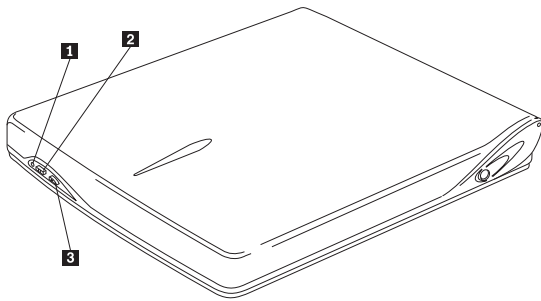
- An available USB port
- A USB Universal Host Controller Interface (UHCI) Controller
Note: To determine what type of USB Controller is included on your computer, follow these steps.
 1. Click **Start** → **Settings** → **Control Panel**.
 2. Double-click **System**.
 3. Click the **Device Manager** tab.
 4. In the list of devices, click **Universal Serial Bus Controller**.
 5. Confirm whether the controller type is UHCI or another type.

Your computer must have one of the following operating systems to use this option:

- Microsoft® Windows® 98
- Microsoft Windows 2000 Professional

Front view of the drive

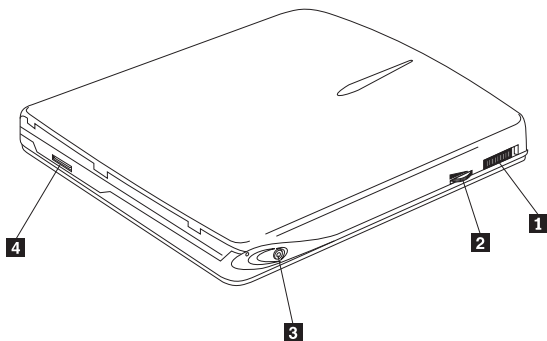
Refer to the following illustration to locate controls.



- 1 Busy indicator** This green light glows steadily when the power is turned on and blinks when the drive is active.
- 2 Stop button** Use this to stop playback of an audio CD (for details on using the audio control buttons, see “Using the CD-ROM drive audio player functions” on page 1-10).
- 3 Play button** Use this to begin playback of an audio CD (for details on using the audio control buttons, see “Using the CD-ROM drive audio player functions” on page 1-10).

Rear view of the drive

Refer to the following illustration to locate necessary controls and connectors.

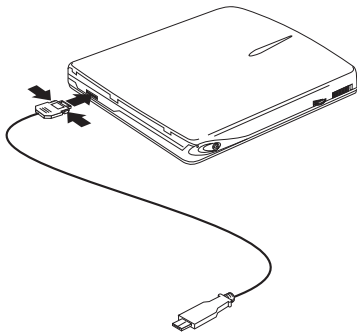


- 1 Cover release** Pull this forward to open the CD-ROM drive cover and load a CD.
- 2 Volume control** Use this to adjust the volume output to your headphones or speakers.
- 3 Audio output jack** Plug in headphones or the included audio cable here.
- 4 USB connector** Plug the USB cable into this connector.

Connecting the CD-ROM drive to your computer

Follow these instructions to connect the CD-ROM drive.

1. Locate the USB cable included with this option. One connector on the USB cable is smaller than the other and has two small buttons on each side of it.
2. Squeeze the two buttons on the smaller connector and attach that end of the USB cable to the USB connector on the back of the CD-ROM drive, as shown below.



Make sure that the metal plate on the smaller connector is facing up when you plug it into the USB connector on the CD-ROM drive.

3. Plug the larger end of the USB cable into the USB port on your computer.
4. You can plug a set of headphones into the audio output jack (see **3** in the rear view illustration on page 1-8) in order to listen to audio CDs. Alternatively, if you want to listen to audio on your ThinkPad speakers, plug one end of the included audio cable into the audio output jack on the CD-ROM drive, and plug the other end of the audio cable into either the microphone jack or the line-in jack on your ThinkPad computer. This will route the audio to your ThinkPad speakers.

Installing the device driver

To install the device driver, follow the instructions that correspond to your operating system.

Windows 98

Follow these instructions to install the device driver for Windows 98.

1. After you have attached the CD-ROM drive to your computer, turn on your computer if it is not turned on already.
2. In the New Hardware Wizard for IBM USB Portable CD-ROM Drive window, click **Next**.
3. Click to select the **Search for the best driver for your device** check box.
4. Insert the *IBM USB Portable CD-ROM Drive Option Diskette* into your diskette drive.
5. Click to select the **Floppy disk drive** check box.
6. Click **Next** twice.
7. Click **Finish** to complete the device driver installation.

You can now use the CD-ROM drive with Windows 98.

Windows 2000

The Windows 2000 operating system includes a USB device driver. The operating system recognizes the CD-ROM drive as soon as it is attached and uses the correct device driver. The device driver included on the *IBM USB Portable CD-ROM Drive Option Diskette* is not required for Windows 2000.

Using the CD-ROM drive audio player functions

There are two ways to use the CD-ROM drive to play audio CDs. You can use the Microsoft Windows CD Player, with which you can control the CD playback on your computer screen. You can also use the two audio control buttons on the front of the CD-ROM drive.

Note: You must close the Microsoft Windows CD Player in order to use the control buttons on the front of the CD-ROM drive. The buttons will not work while the Microsoft Windows CD Player is running.

Although there are only two control buttons on the front of the CD-ROM drive, you can use those two buttons to perform all the major functions of a normal CD player. Refer to the following table to determine what sequence of actions you need to take in order to perform each function.

To perform this function:	Do this:
Play	When an audio CD is first loaded, push the Play button to initiate playback from the beginning of the first track.
Pause	When an audio CD is playing, push the Stop button to pause playback. After pausing, push the Play button to resume playback from the same position. Note: After 32 seconds in Pause, the CD-ROM drive will enter Standby mode to conserve power.
Stop	Push the Stop button twice to stop playback. Note: If you begin playback after pushing the Stop button twice, playback will begin at the first track again.
Next Track	While the CD is playing, push the Play button once.
Previous Track	If the current track has been playing less than 10 seconds, press and hold the Play button for 2.5 seconds and then release.
Return to Start of Current Track	If the current track has been playing more than 10 seconds, press and hold the Play button for 2.5 seconds and then release.
Random Track Selection	Press and hold the Play and Stop buttons together for more than one second while the CD is playing. To return to sequential play, push the Stop button.

Uninstalling the Windows 98 device driver

If you have installed the Windows 98 device driver and need to uninstall it, follow these instructions.

1. Insert the *IBM USB Portable CD-ROM Drive Option Diskette* into the diskette drive.
2. Click **Start**.
3. Select **Run**.
4. Click **Browse**.
5. From the **Look in** menu, click **3 1/2 Floppy (A:)**.
6. Double-click **UnUsbdrv.exe**.
7. Click **Yes** to confirm uninstallation.
8. Click **Yes** to restart your computer.

The device driver is now uninstalled. Your computer will not recognize the CD-ROM drive when it is connected to the computer unless you reinstall the device driver.

Disconnecting and reconnecting the CD-ROM drive

Hot plugging is supported on the connection between the USB cable and your computer. This means that the CD-ROM drive USB cable can be disconnected from and reconnected to your computer whether the computer is on or off.

Attention

The connection between the USB cable and the CD-ROM drive itself does not support hot plugging. If you disconnect the USB cable from the CD-ROM drive while the USB cable is attached to your computer, it might cause damage to the CD-ROM drive.

To avoid damaging the CD-ROM drive, turn off the CD-ROM drive before disconnecting the USB cable from your computer. To disconnect the CD-ROM drive from the computer, unplug the USB cable from the computer. To reconnect the CD-ROM drive, reconnect the USB cable to the computer.

Attention

Do not disconnect and reconnect the USB cable in rapid succession or the CD-ROM drive might not load properly. After disconnecting the USB cable, wait at least 10 to 20 seconds, or until the hourglass icon stops displaying, before reconnecting the USB cable.

Product registration

Thank you for purchasing OPTIONS by IBM®. Please take a few moments to register your product and provide us with information that will help IBM to better serve you in the future. Your feedback is valuable to us in developing products and services that are important to you, as well as in developing better ways to communicate with you. Register your option on the IBM Web site at:

<http://www.ibm.com/pc/register>

IBM will send you information and updates on your registered product unless you indicate on the Web site questionnaire that you do not want to receive further information.

Product service and warranty information

For technical support, support hours, and warranty terms and conditions, see the enclosed inserts, or contact your IBM reseller or IBM marketing representative.

Part 2: Appendixes

The following appendixes contain help and service information, the product warranties, and notices.

Appendix A. Help and service information

This section contains information on how to obtain online and telephone technical support.

Online technical support

Online technical support is available during the life of your product. Online assistance can be obtained through the Personal Computing Support Web site and the IBM Automated Fax System.

<i>Online technical support</i>	
IBM Personal Computing Support Web Site	http://www.ibm.com/pc/support
IBM Automated Fax System	1-800-426-3395 (U.S. and Canada)

During the warranty period, assistance for replacement or exchange of defective components is available. In addition, if your IBM option is installed in an IBM computer, you might be entitled to service at your location. Your technical support representative can help you determine the best alternative.

Telephone technical support

Marketing, installation, and configuration support through the HelpCenter will be withdrawn or made available for a fee, at IBM's discretion, 90 days after the option has been withdrawn from marketing. Additional support offerings, including step-by-step installation assistance, are available for a nominal fee.

To assist the technical support representative, have available as much of the following information as possible:

1. Option name
2. Option number
3. Proof of purchase
4. Computer manufacturer, model, serial number (if IBM), and manual
5. Exact wording of the error message (if any)
6. Description of the problem
7. Hardware and software configuration information for your system

If possible, be at your computer. Your technical support representative might want to walk you through the problem during the call.

For the support telephone number and support hours by country, refer to the following table or to the enclosed technical support insert. If the number is not provided, contact your IBM reseller or IBM marketing representative. Response time may vary depending on the number and nature of the calls received.

<i>Support 24 hours a day, 7 days a week</i>	
Canada	1-800-565-3344
U.S.A./Puerto Rico	1-800-772-2227

Appendix B. Product warranties and notices

Warranty Statements

The warranty statements consist of two parts: Part 1 and Part 2. Part 1 varies by country. Part 2 is the same for both statements. Be sure to read both the Part 1 that applies to your country and Part 2.

- **United States, Puerto Rico, and Canada (Z125-4753-05 11/97)**
(Part 1 - General Terms on page 2-2)
- **Worldwide except Canada, Puerto Rico, Turkey, and United States (Z125-5697-01 11/97)**
(Part 1 - General Terms on page 2-5)
- **Worldwide Country-Unique Terms**
(Part 2 - Country-Unique Terms on page 2-8)

IBM Statement of Limited Warranty for United States, Puerto Rico, and Canada (Part 1 - General Terms)

This Statement of Limited Warranty includes Part 1 - General Terms and Part 2 - Country-unique Terms. The terms of Part 2 may replace or modify those of Part 1. The warranties provided by IBM in this Statement of Limited Warranty apply only to Machines you purchase for your use, and not for resale, from IBM or your reseller. The term "Machine" means an IBM machine, its features, conversions, upgrades, elements, or accessories, or any combination of them. The term "Machine" does not include any software programs, whether pre-loaded with the Machine, installed subsequently or otherwise. Unless IBM specifies otherwise, the following warranties apply only in the country where you acquire the Machine. Nothing in this Statement of Warranty affects any statutory rights of consumers that cannot be waived or limited by contract. If you have any questions, contact IBM or your reseller.

Machine - USB Portable CD-ROM Drive

Warranty Period* - One Year

**Contact your place of purchase for warranty service information. Some IBM Machines are eligible for On-site warranty service depending on the country where service is performed.*

The IBM Warranty for Machines

2-2 USB Portable CD-ROM Drive

IBM warrants that each Machine 1) is free from defects in materials and workmanship and 2) conforms to IBM's Official Published Specifications. The warranty period for a Machine is a specified, fixed period commencing on its Date of Installation. The date on your sales receipt is the Date of Installation, unless IBM or your reseller informs you otherwise.

During the warranty period IBM or your reseller, if approved by IBM to provide warranty service, will provide repair and exchange service for the Machine, without charge, under the type of service designated for the Machine and will manage and install engineering changes that apply to the Machine.

If a Machine does not function as warranted during the warranty period, and IBM or your reseller are unable to either 1) make it do so or 2) replace it with one that is at least functionally equivalent, you may return it to your place of purchase and your money will be refunded. The replacement may not be new, but will be in good working order.

Extent of Warranty

The warranty does not cover the repair or exchange of a Machine resulting from misuse, accident, modification, unsuitable physical or operating environment, improper maintenance by you, or failure caused by a product for which IBM is not responsible. The warranty is voided by removal or alteration of Machine or parts identification labels.

THESE WARRANTIES ARE YOUR EXCLUSIVE WARRANTIES AND REPLACE ALL OTHER WARRANTIES OR CONDITIONS, EXPRESS OR IMPLIED, INCLUDING, BUT NOT LIMITED TO, THE IMPLIED WARRANTIES OR CONDITIONS OF MERCHANTABILITY AND FITNESS FOR A PARTICULAR PURPOSE. THESE WARRANTIES GIVE YOU SPECIFIC LEGAL RIGHTS AND YOU MAY ALSO HAVE OTHER RIGHTS WHICH VARY FROM JURISDICTION TO JURISDICTION. SOME JURISDICTIONS DO NOT ALLOW THE EXCLUSION OR LIMITATION OF EXPRESS OR IMPLIED WARRANTIES, SO THE ABOVE EXCLUSION OR LIMITATION MAY NOT APPLY TO YOU. IN THAT EVENT, SUCH WARRANTIES ARE LIMITED IN DURATION TO THE WARRANTY PERIOD. NO WARRANTIES APPLY AFTER THAT PERIOD.

Items Not Covered by Warranty

IBM does not warrant uninterrupted or error-free operation of a Machine.

Unless specified otherwise, IBM provides non-IBM machines **WITHOUT WARRANTIES OF ANY KIND.**

Any technical or other support provided for a Machine under warranty, such as assistance via telephone with "how-to" questions and those regarding Machine set-up and installation, will be provided **WITHOUT WARRANTIES OF ANY KIND.**

Warranty Service

To obtain warranty service for the Machine, contact your reseller or IBM. In the United States, call IBM at 1-800-772-2227. In Canada, call IBM at 1-800-565-3344. You may be required to present proof of purchase.

IBM or your reseller provides certain types of repair and exchange service, either at your location or at a service center, to keep Machines in, or restore them to, conformance with their Specifications. IBM or your reseller will inform you of the available types of service for a Machine based on its country of installation. IBM may repair the failing Machine or exchange it at its discretion.

When warranty service involves the exchange of a Machine or part, the item IBM or your reseller replaces becomes its property and the replacement becomes yours. You represent that all removed items are genuine and unaltered. The replacement may not be new, but will be in good working order and at least functionally equivalent to the item replaced. The replacement assumes the warranty service status of the replaced item.

Any feature, conversion, or upgrade IBM or your reseller services must be installed on a Machine which is 1) for certain Machines, the designated, serial-numbered Machine and 2) at an engineering-change level compatible with the feature, conversion, or upgrade. Many features, conversions, or upgrades involve the removal of parts and their return to IBM. A part that replaces a removed part will assume the warranty service status of the removed part.

Before IBM or your reseller exchanges a Machine or part, you agree to remove all features, parts, options, alterations, and attachments not under warranty service.

You also agree to

1. ensure that the Machine is free of any legal obligations or restrictions that prevent its exchange;
2. obtain authorization from the owner to have IBM or your reseller service a Machine that you do not own; and
3. where applicable, before service is provided
 - a. follow the problem determination, problem analysis, and service request procedures that IBM or your reseller provides,
 - b. secure all programs, data, and funds contained in a Machine,
 - c. provide IBM or your reseller with sufficient, free, and safe access to your facilities to permit them to fulfill their obligations, and
 - d. inform IBM or your reseller of changes in a Machine's location.

IBM is responsible for loss of, or damage to, your Machine while it is 1) in IBM's possession or 2) in transit in those cases where IBM is responsible for the transportation charges.

Neither IBM nor your reseller is responsible for any of your confidential, proprietary or personal information contained in a Machine which you return to IBM or your reseller for any reason. You should remove all such information from the Machine prior to its return.

Production Status

Each IBM Machine is manufactured from new parts, or new and used parts. In some cases, the Machine may not be new and may have been previously installed. Regardless of the Machine's production status, IBM's appropriate warranty terms apply.

Limitation of Liability

Circumstances may arise where, because of a default on IBM's part or other liability, you are entitled to recover damages from IBM. In each such instance, regardless of the basis on which you are entitled to claim damages from IBM (including fundamental breach, negligence, misrepresentation, or other contract or tort claim), IBM is liable for no more than

1. damages for bodily injury (including death) and damage to real property and tangible personal property; and
2. the amount of any other actual direct damages, up to the greater of U.S. \$100,000 (or equivalent in local currency) or the charges (if recurring, 12 months' charges apply) for the Machine that is the subject of the claim.

This limit also applies to IBM's suppliers and your reseller. It is the maximum for which IBM, its suppliers, and your reseller are collectively responsible.

UNDER NO CIRCUMSTANCES IS IBM LIABLE FOR ANY OF THE FOLLOWING: 1) THIRD-PARTY CLAIMS AGAINST YOU FOR DAMAGES (OTHER THAN THOSE UNDER THE FIRST ITEM LISTED ABOVE); 2) LOSS OF, OR DAMAGE TO, YOUR RECORDS OR DATA; OR 3) SPECIAL, INCIDENTAL, OR INDIRECT DAMAGES OR FOR ANY ECONOMIC CONSEQUENTIAL DAMAGES (INCLUDING LOST PROFITS OR SAVINGS), EVEN IF IBM, ITS SUPPLIERS OR YOUR RESELLER IS INFORMED OF THEIR POSSIBILITY. SOME JURISDICTIONS DO NOT ALLOW THE EXCLUSION OR LIMITATION OF INCIDENTAL OR CONSEQUENTIAL DAMAGES, SO THE ABOVE LIMITATION OR EXCLUSION MAY NOT APPLY TO YOU.

IBM Statement of Warranty Worldwide except Canada, Puerto Rico, Turkey, United States (Part 1 - General Terms)

This Statement of Warranty includes Part 1 - General Terms and Part 2 - Country-unique Terms. The terms of Part 2 may replace or modify those of Part 1. The warranties provided by IBM in this Statement of Warranty apply only to Machines you purchase for your use, and not for resale, from IBM or your reseller. The term "Machine" means an IBM machine, its features, conversions, upgrades, elements, or accessories, or any combination of them. The term "Machine" does not include any software programs, whether pre-loaded with the Machine, installed subsequently or otherwise. Unless IBM specifies otherwise, the following warranties apply only in the country where you acquire the Machine. Nothing in this Statement of Warranty affects any statutory rights of consumers that cannot be waived or limited by contract. If you have any questions, contact IBM or your reseller.

Machine - USB Portable CD-ROM Drive

Warranty Period* - One Year

**Contact your place of purchase for warranty service information. Some IBM Machines are eligible for On-site warranty service depending on the country where service is performed.*

The IBM Warranty for Machines

IBM warrants that each Machine 1) is free from defects in materials and workmanship and 2) conforms to IBM's Official Published Specifications. The warranty period for a Machine is a specified, fixed period commencing on its Date of Installation. The date on your sales receipt is the Date of Installation, unless IBM or your reseller informs you otherwise.

During the warranty period IBM or your reseller, if approved by IBM to provide warranty service, will provide repair and exchange service for the Machine, without charge, under the type of service designated for the Machine and will manage and install engineering changes that apply to the Machine.

If a Machine does not function as warranted during the warranty period, and IBM or your reseller are unable to either 1) make it do so or 2) replace it with one that is at least functionally equivalent, you may return it to your place of purchase and your money will be refunded. The replacement may not be new, but will be in good working order.

Extent of Warranty

The warranty does not cover the repair or exchange of a Machine resulting from misuse, accident, modification, unsuitable physical or operating environment, improper maintenance by you, or failure caused by a product for which IBM is not responsible. The warranty is voided by removal or alteration of Machine or parts identification labels.

THESE WARRANTIES ARE YOUR EXCLUSIVE WARRANTIES AND REPLACE ALL OTHER WARRANTIES OR CONDITIONS, EXPRESS OR IMPLIED, INCLUDING, BUT NOT LIMITED TO, THE IMPLIED WARRANTIES OR CONDITIONS OF MERCHANTABILITY AND FITNESS FOR A PARTICULAR PURPOSE. THESE WARRANTIES GIVE YOU SPECIFIC LEGAL RIGHTS AND YOU MAY ALSO HAVE OTHER RIGHTS WHICH VARY FROM JURISDICTION TO JURISDICTION. SOME JURISDICTIONS DO NOT ALLOW THE EXCLUSION OR LIMITATION OF EXPRESS OR IMPLIED WARRANTIES, SO THE ABOVE EXCLUSION OR LIMITATION MAY NOT APPLY TO YOU. IN THAT EVENT, SUCH WARRANTIES ARE LIMITED IN DURATION TO THE WARRANTY PERIOD. NO WARRANTIES APPLY AFTER THAT PERIOD.

Items Not Covered by Warranty

IBM does not warrant uninterrupted or error-free operation of a Machine.

Unless specified otherwise, IBM provides non-IBM machines **WITHOUT WARRANTIES OF ANY KIND.**

Any technical or other support provided for a Machine under warranty, such as assistance via telephone with "how-to" questions and those regarding Machine set-up and installation, will be provided **WITHOUT WARRANTIES OF ANY KIND.**

Warranty Service

To obtain warranty service for the Machine, contact your reseller or IBM. You may be required to present proof of purchase.

IBM or your reseller provides certain types of repair and exchange service, either at your location or at a service center, to keep Machines in, or restore them to, conformance with their Specifications. IBM or your reseller will inform you of the available types of service for a Machine based on its country of installation. IBM may repair the failing Machine or exchange it at its discretion.

When warranty service involves the exchange of a Machine or part, the item IBM or your reseller replaces becomes its property and the replacement becomes yours. You represent that all removed items are genuine and unaltered. The replacement may not be new, but will be in good working order and at least functionally equivalent to the item replaced. The replacement assumes the warranty service status of the replaced item.

Any feature, conversion, or upgrade IBM or your reseller services must be installed on a Machine which is 1) for certain Machines, the designated, serial-numbered Machine and 2) at an engineering-change level compatible with the feature, conversion, or upgrade. Many features, conversions, or upgrades involve the removal of parts and their return to IBM. A part that replaces a removed part will assume the warranty service status of the removed part.

Before IBM or your reseller exchanges a Machine or part, you agree to remove all features, parts, options, alterations, and attachments not under warranty service.

You also agree to

2-6 USB Portable CD-ROM Drive

1. ensure that the Machine is free of any legal obligations or restrictions that prevent its exchange;
2. obtain authorization from the owner to have IBM or your reseller service a Machine that you do not own; and
3. where applicable, before service is provided
 - a. follow the problem determination, problem analysis, and service request procedures that IBM or your reseller provides,
 - b. secure all programs, data, and funds contained in a Machine,
 - c. provide IBM or your reseller with sufficient, free, and safe access to your facilities to permit them to fulfil their obligations, and
 - d. inform IBM or your reseller of changes in a Machine's location.

IBM is responsible for loss of, or damage to, your Machine while it is 1) in IBM's possession or 2) in transit in those cases where IBM is responsible for the transportation charges.

Neither IBM nor your reseller is responsible for any of your confidential, proprietary or personal information contained in a Machine which you return to IBM or your reseller for any reason. You should remove all such information from the Machine prior to its return.

Production Status

Each IBM Machine is manufactured from new parts, or new and used parts. In some cases, the Machine may not be new and may have been previously installed. Regardless of the Machine's production status, IBM's appropriate warranty terms apply.

Limitation of Liability

Circumstances may arise where, because of a default on IBM's part or other liability, you are entitled to recover damages from IBM. In each such instance, regardless of the basis on which you are entitled to claim damages from IBM (including fundamental breach, negligence, misrepresentation, or other contract or tort claim), IBM is liable for no more than

1. damages for bodily injury (including death) and damage to real property and tangible personal property; and
2. the amount of any other actual direct damages, up to the greater of U.S. \$100,000 (or equivalent in local currency) or the charges (if recurring, 12 months' charges apply) for the Machine that is the subject of the claim.

This limit also applies to IBM's suppliers and your reseller. It is the maximum for which IBM, its suppliers, and your reseller are collectively responsible.

UNDER NO CIRCUMSTANCES IS IBM LIABLE FOR ANY OF THE FOLLOWING: 1) THIRD-PARTY CLAIMS AGAINST YOU FOR DAMAGES (OTHER THAN THOSE UNDER THE FIRST ITEM LISTED ABOVE); 2) LOSS OF, OR DAMAGE TO, YOUR RECORDS OR DATA; OR 3) SPECIAL, INCIDENTAL, OR INDIRECT DAMAGES OR FOR ANY ECONOMIC CONSEQUENTIAL DAMAGES (INCLUDING LOST PROFITS OR SAVINGS), EVEN IF IBM, ITS SUPPLIERS OR YOUR RESELLER IS INFORMED OF THEIR POSSIBILITY. SOME JURISDICTIONS DO NOT ALLOW THE EXCLUSION OR LIMITATION OF INCIDENTAL OR CONSEQUENTIAL DAMAGES, SO THE ABOVE LIMITATION OR EXCLUSION MAY NOT APPLY TO YOU.

Part 2 - Worldwide Country-Unique Terms

ASIA PACIFIC

AUSTRALIA: The IBM Warranty for Machines: The following paragraph is added to this Section:

The warranties specified in this Section are in addition to any rights you may have under the Trade Practices Act 1974 or other legislation and are only limited to the extent permitted by the applicable legislation.

Extent of Warranty: The following replaces the first and second sentences of this Section: The warranty does not cover the repair or exchange of a Machine resulting from misuse, accident, modification, unsuitable physical or operating environment, operation in other than the Specified Operating Environment, improper maintenance by you, or failure caused by a product for which IBM is not responsible.

Limitation of Liability: The following is added to this Section: Where IBM is in breach of a condition or warranty implied by the Trade Practices Act 1974, IBM's liability is limited to the repair or replacement of the goods or the supply of equivalent goods. Where that condition or warranty relates to right to sell, quiet possession or clear title, or the goods are of a kind ordinarily acquired for personal, domestic or household use or consumption, then none of the limitations in this paragraph apply.

PEOPLE'S REPUBLIC OF CHINA: Governing Law: The following is added to this Statement: The laws of the State of New York govern this Statement.

INDIA: Limitation of Liability: The following replaces items 1 and 2 of this Section:

1. liability for bodily injury (including death) or damage to real property and tangible personal property will be limited to that caused by IBM's negligence;
2. as to any other actual damage arising in any situation involving nonperformance by IBM pursuant to, or in any way related to the subject of this Statement of Warranty, IBM's liability will be limited to the charge paid by you for the individual Machine that is the subject of the claim.

NEW ZEALAND: The IBM Warranty for Machines: The following paragraph is added to this Section:

The warranties specified in this Section are in addition to any rights you may have under the Consumer Guarantees Act 1993 or other legislation which cannot be excluded or limited. The Consumer Guarantees Act 1993 will not apply in respect of any goods which IBM provides, if you require the goods for the purposes of a business as defined in that Act.

Limitation of Liability: The following is added to this Section: Where Machines are not acquired for the purposes of a business as defined in the Consumer Guarantees Act 1993, the limitations in this Section are subject to the limitations in that Act.

EUROPE, MIDDLE EAST, AFRICA (EMEA)

The following terms apply to all EMEA countries.

The terms of this Statement of Warranty apply to Machines purchased from an IBM reseller. If you purchased this Machine from IBM, the terms and conditions of the applicable IBM agreement prevail over this warranty statement.

Warranty Service

If you purchased an IBM Machine in Austria, Belgium, Denmark, Estonia, Finland, France, Germany, Greece, Iceland, Ireland, Italy, Latvia, Lithuania, Luxembourg, Netherlands, Norway, Portugal, Spain, Sweden, Switzerland or United Kingdom, you may obtain warranty service for that Machine in any of those countries from either (1) an IBM reseller approved to perform warranty service or (2) from IBM.

If you purchased an IBM Personal Computer Machine in Albania, Armenia, Belarus, Bosnia and Herzegovina, Bulgaria, Croatia, Czech Republic, Georgia, Hungary, Kazakhstan, Kirghizia, Federal Republic of Yugoslavia, Former Yugoslav Republic of Macedonia (FYROM), Moldova, Poland, Romania, Russia, Slovak Republic, Slovenia, or Ukraine, you may obtain warranty service for that Machine in any of those countries from either (1) an IBM reseller approved to perform warranty service or (2) from IBM.

The applicable laws, Country-unique terms and competent court for this Statement are those of the country in which the warranty service is being provided. However, the laws of Austria govern this Statement if the warranty service is provided in Albania, Armenia, Belarus, Bosnia and Herzegovina, Bulgaria, Croatia, Czech Republic, Federal Republic of Yugoslavia, Georgia, Hungary, Kazakhstan, Kirghizia, Former Yugoslav Republic of Macedonia (FYROM), Moldova, Poland, Romania, Russia, Slovak Republic, Slovenia, and Ukraine.

The following terms apply to the country specified:

EGYPT: Limitation of Liability: The following replaces item 2 in this Section:

2. as to any other actual direct damages, IBM's liability will be limited to the total amount you paid for the Machine that is the subject of the claim.

Applicability of suppliers and resellers (unchanged).

FRANCE: Limitation of Liability: The following replaces the second sentence of the first paragraph of this Section:

In such instances, regardless of the basis on which you are entitled to claim damages from IBM, IBM is liable for no more than: (items 1 and 2 unchanged).

GERMANY: The IBM Warranty for Machines: The following replaces the first sentence of the first paragraph of this Section:

The warranty for an IBM Machine covers the functionality of the Machine for its normal use and the Machine's conformity to its Specifications.

The following paragraphs are added to this Section:

The minimum warranty period for Machines is six months.

In case IBM or your reseller are unable to repair an IBM Machine, you can alternatively ask for a partial refund as far as justified by the reduced value of the unrepaired Machine or ask for a cancellation of the respective agreement for such Machine and get your money refunded.

Extent of Warranty: The second paragraph does not apply.

Warranty Service: The following is added to this Section:

During the warranty period, transportation for delivery of the failing Machine to IBM will be at IBM's expense.

Production Status: The following paragraph replaces this Section:

Each Machine is newly manufactured. It may incorporate in addition to new parts, re-used parts as well.

Limitation of Liability: The following is added to this Section:

The limitations and exclusions specified in the Statement of Warranty will not apply to damages caused by IBM with fraud or gross negligence and for express warranty.

In item 2, replace "U.S. \$100,000" with "1.000.000 DEM."

The following sentence is added to the end of the first paragraph of item 2:
IBM's liability under this item is limited to the violation of essential contractual terms in cases of ordinary negligence.

IRELAND: Extent of Warranty: The following is added to this Section:
Except as expressly provided in these terms and conditions, all statutory conditions, including all warranties implied, but without prejudice to the generality of the foregoing all warranties implied by the Sale of Goods Act 1893 or the Sale of Goods and Supply of Services Act 1980 are hereby excluded.

Limitation of Liability: The following replaces items one and two of the first paragraph of this Section:

1. death or personal injury or physical damage to your real property solely caused by IBM's negligence; and 2. the amount of any other actual direct damages, up to the greater of Irish Pounds 75,000 or 125 percent of the charges (if recurring, the 12 months' charges apply) for the Machine that is the subject of the claim or which otherwise gives rise to the claim.

Applicability of suppliers and resellers (unchanged).

The following paragraph is added at the end of this Section:
IBM's entire liability and your sole remedy, whether in contract or in tort, in respect of any default shall be limited to damages.

ITALY: Limitation of Liability: The following replaces the second sentence in the first paragraph:
In each such instance unless otherwise provided by mandatory law, IBM is liable for no more than: (item 1 unchanged) 2) as to any other actual damage arising in all situations involving non-performance by IBM pursuant to, or in any way related to the subject matter of this Statement of Warranty, IBM's liability, will be limited to the total amount you paid for the Machine that is the subject of the claim.

Applicability of suppliers and resellers (unchanged).

The following replaces the second paragraph of this Section:
Unless otherwise provided by mandatory law, IBM and your reseller are not liable for any of the following: (items 1 and 2 unchanged) 3) indirect damages, even if IBM or your reseller is informed of their possibility.

SOUTH AFRICA, NAMIBIA, BOTSWANA, LESOTHO AND SWAZILAND: Limitation of Liability: The following is added to this Section:
IBM's entire liability to you for actual damages arising in all situations involving nonperformance by IBM in respect of the subject matter of this Statement of Warranty will be limited to the charge paid by you for the individual Machine that is the subject of your claim from IBM.

TURKIYE: Production Status: The following replaces this Section:
IBM fulfils customer orders for IBM Machines as newly manufactured in accordance with IBM's production standards.

UNITED KINGDOM: Limitation of Liability: The following replaces items 1 and 2 of the first paragraph of this Section:

1. death or personal injury or physical damage to your real property solely caused by IBM's negligence;
2. the amount of any other actual direct damages or loss, up to the greater of Pounds Sterling 150,000 or 125 percent of the charges (if recurring, the 12 months' charges apply) for the Machine that is the subject of the claim or which otherwise gives rise to the claim.

The following item is added to this paragraph:

3. breach of IBM's obligations implied by Section 12 of the Sale of Goods Act 1979 or Section 2 of the Supply of Goods and Services Act 1982.

Applicability of suppliers and resellers (unchanged).

The following is added to the end of this Section:

IBM's entire liability and your sole remedy, whether in contract or in tort, in respect of any default will be limited to damages.

NORTH AMERICA

CANADA: Warranty Service: The following is added to this Section:

To obtain warranty service from IBM, call **1-800-565-3344**.

UNITED STATES OF AMERICA: Warranty Service: The following is added to this Section:

To obtain warranty service from IBM, call **1-800-772-2227**.

Notices

References in this publication to IBM products, programs, or services do not imply that IBM intends to make these available in all countries in which IBM operates. Any reference to an IBM product, program, or service is not intended to state or imply that only that IBM product, program, or service may be used. Subject to IBM's valid intellectual property or other legally protectable rights, any functionally equivalent product, program, or service may be used instead of the IBM product, program, or service. The evaluation and verification of operation in conjunction with other products, except those expressly designated by IBM, are the responsibility of the user.

IBM may have patents or pending patent applications covering subject matter in this document. The furnishing of this document does not give you any license to these patents. You can send license inquiries, in writing, to:

IBM Director of Licensing
IBM Corporation
North Castle Drive
Armonk, NY 10504-1785
U.S.A.

Trademarks

The following terms are trademarks of the IBM Corporation in the United States or other countries or both:

HelpCenter

IBM

ThinkPad

Microsoft and Windows are trademarks of Microsoft Corporation in the United States or other countries or both.

Other company, product, and service names may be trademarks or service marks of others.

Electronic emission notices

USB Portable CD-ROM Drive

Federal Communications Commission (FCC) Statement

Note: This equipment has been tested and found to comply with the limits for a Class B digital device, pursuant to Part 15 of the FCC Rules. These limits are designed to provide reasonable protection against harmful interference in a residential installation. This equipment generates, uses, and can radiate radio frequency energy and, if not installed and used in accordance with the instructions, may cause harmful interference to radio communications. However, there is no guarantee that interference will not occur in a particular installation. If this equipment does cause harmful interference to radio or television reception, which can be determined by turning the equipment off and on, the user is encouraged to try to correct the interference by one or more of the following measures:


- Reorient or relocate the receiving antenna.
- Increase the separation between the equipment and receiver.
- Connect the equipment into an outlet on a circuit different from that to which the receiver is connected.
- Consult an IBM authorized dealer or service representative for help.

Properly shielded and grounded cables and connectors must be used in order to meet FCC emission limits. Proper cables and connectors are available from IBM authorized dealers. IBM is not responsible for any radio or television interference caused by using other than recommended cables and connectors or by unauthorized changes or modifications to this equipment. Unauthorized changes or modifications could void the user's authority to operate the equipment.

This device complies with Part 15 of the FCC Rules. Operation is subject to the following two conditions: (1) this device may not cause harmful interference, and (2) this device must accept any interference received, including interference that may cause undesired operation.

Responsible Party:

International Business Machines Corporation
New Orchard Road
Armonk, NY 10504
Telephone: 1-919-543-2193

 Tested To Comply
With FCC Standards
FOR HOME OR OFFICE USE

Industry Canada Class B emission compliance statement

This Class B digital apparatus complies with Canadian ICES-003.

Avis de conformité à la réglementation d'Industrie Canada

Cet appareil numérique de classe B est conforme à la norme NMB-003 du Canada.

Deutsche EMV-Direktive (electromagnetische Verträglichkeit)

Dieses Gerät ist berechtigt in Übereinstimmung mit dem deutschen EMVG vom 9.Nov.92 das EG-Konformitätszeichen zu führen.

Der Aussteller der Konformitätserklärung ist die IBM UK, Greenock.

Dieses Gerät erfüllt die Bedingungen der EN 55022 Klasse B.

European Union - emission directive

This product is in conformity with the protection requirements of EU Council Directive 89/366/ECC on the approximation of the laws of the Member States relating to electromagnetic compatibility.

IBM can not accept responsibility for any failure to satisfy the protection requirements resulting from a non-recommended modification of the product, including the fitting of non-IBM option cards.

This product has been tested and found to comply with the limits for Class B Information Technology Equipment according to CISPR 22 / European Standard EN 55022. The limits for Class B equipment were derived for typical residential environments to provide reasonable protection against interference with licensed communication devices.

Union Européenne - Directive Conformité électromagnétique

Ce produit est conforme aux exigences de protection de la Directive 89/336/EEC du Conseil de l'UE sur le rapprochement des lois des États membres en matière de compatibilité électromagnétique.

IBM ne peut accepter aucune responsabilité pour le manquement aux exigences de protection résultant d'une modification non recommandée du produit, y compris l'installation de cartes autres que les cartes IBM.

Ce produit a été testé et il satisfait les conditions de l'équipement informatique de Classe B en vertu de CISPR22 / Standard européen EN 55022. Les conditions pour l'équipement de Classe B ont été définies en fonction d'un contexte résidentiel ordinaire afin de fournir une protection raisonnable contre l'interférence d'appareils de communication autorisés.

Unione Europea - Directiva EMC (Conformidad electromagnética)

Este producto satisface los requisitos de protección del Consejo de la UE, Directiva 89/336/CEE en lo que a la legislatura de los Estados Miembros sobre compatibilidad electromagnética se refiere.

IBM no puede aceptar responsabilidad alguna si este producto deja de satisfacer dichos requisitos de protección como resultado de una modificación no recomendada del producto, incluyendo el ajuste de tarjetas de opción que no sean IBM.

Este producto ha sido probado y satisface los límites para Equipos Informáticos Clase B de conformidad con el Estándar CISPR22 y el Estándar Europeo EN 55022. Los límites para los equipos de Clase B se han establecido para entornos residenciales típicos a fin de proporcionar una protección razonable contra las interferencias con dispositivos de comunicación licenciados.

Union Europea - Normativa EMC

Questo prodotto è conforme alle normative di protezione ai sensi della Direttiva del Consiglio dell'Unione Europea 89/336/CEE sull'armonizzazione legislativa degli stati membri in materia di compatibilità elettromagnetica.

IBM non accetta responsabilità alcuna per la mancata conformità alle normative di protezione dovuta a modifiche non consigliate al prodotto, compresa l'installazione di schede e componenti di marca diversa da IBM.

Le prove effettuate sul presente prodotto hanno accertato che esso rientra nei limiti stabiliti per le apparecchiature di informatica Classe B ai sensi del CISPR 22 / Norma Europea EN 55022. I limiti delle apparecchiature della Classe B sono stati stabiliti al fine di fornire ragionevole protezione da interferenze mediante dispositivi di comunicazione in concessione in ambienti residenziali tipici.

Korean B급 규격 증명서

이 장치는 옥내용으로 보증되었으며 모든 환경에서 사용할 수 있습니다.

この装置は、情報処理装置等電波障害自主規制協議会（VCCI）の基準に基づくクラスB情報技術装置です。この装置は、家庭環境で使用することを目的としていますが、この装置がラジオやテレビジョン受信機に近接して使用されると、受信障害を引き起こすことがあります。
取扱説明書に従って正しい取り扱いをして下さい。

Japanese statement of compliance for products less than or equal to 20 A per phase

高調波ガイドライン適合品



Part Number: P09N4108

Printed in U.S.A.

P09N4108



Free Manuals Download Website

<http://myh66.com>

<http://usermanuals.us>

<http://www.somanuals.com>

<http://www.4manuals.cc>

<http://www.manual-lib.com>

<http://www.404manual.com>

<http://www.luxmanual.com>

<http://aubethermostatmanual.com>

Golf course search by state

<http://golfingnear.com>

Email search by domain

<http://emailbydomain.com>

Auto manuals search

<http://auto.somanuals.com>

TV manuals search

<http://tv.somanuals.com>